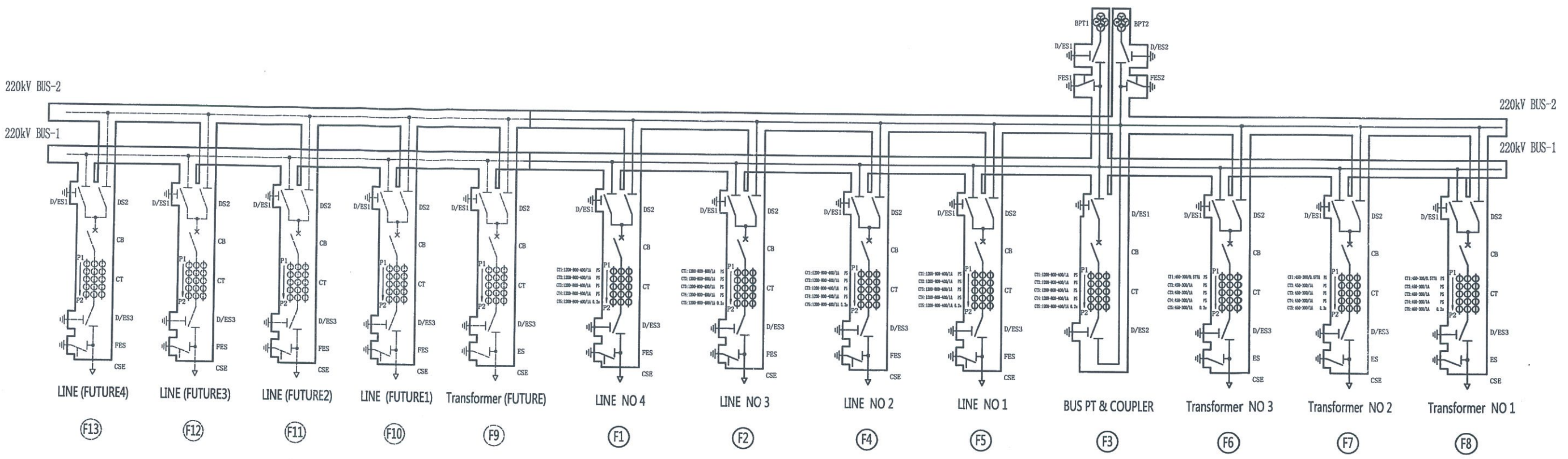


\* The drawing shall confirm HV/EC Techn. Spec / GTP / IS / IEC etc



1) GIS COMPONENT NAME

NO	SYMBOL/CODE	NAME	REMARK
1	GIS	SF6 GAS INSULATED SWITCHGEAR	
2	CB	CIRCUIT BREAKER	
3	DES	DISCONNECTING EARTHING SWITCHGEAR	
4	DS	DISCONNECTOR SWITCHGEAR	
5	ES	EARTHING SWITCHGEAR	
6	FES	FAST EARTHING SWITCHGEAR	
7	CSE	CABLE SEALING END	
8	BSG	BUSHING	X
9	CT	CURRENT TRANSFORMER	
10	BPT	POTENTIAL TRANSFORMER (THREE PHASE)	
11	LPT	POTENTIAL TRANSFORMER (THREE PHASE)	
12	LA	LIGHTNING ARRESTOR	X
13	VD	LIVE DISPLAY	
	LCP	LOCAL CONTROL PANEL	

2) GIS COMPONENT Rating

NAME	RATED VOLTAGE (kV)	RATED CURRENT (kA)	SHORT TIME WITHSTAND CURRENT AND DURATION	REMARK
GIS	252kV	4000A	50kA/3s	
CB	252kV	4000A	50kA/3s	
DES	252kV	4000A	50kA/3s	
DS	252kV	4000A	50kA/3s	
ES	252kV	4000A	50kA/3s	
FES	252kV	4000A	50kA/3s	
CSE	252kV	4000A	50kA/3s	

Rating

1. Rated Voltage: 252 kV
2. Rated Frequency: 50 Hz
3. Rated lightning impulse withstand voltage: 1050 kV
4. Rated short time power frequency withstand voltage: 480 kV
5. Rated normal current - Busbar: 4000 A
6. Rated Supply Voltage: 220 V DC

Current Transformer (Ring Type)

Bay	Core	Ratio (kV)	Rated Output (VA)	Secondary resistance at 75°C	Maximum Existing Current (kA)	Class
LINE BAY	CT1	1200-800-400/1	-	80(RCT+4) @ 800A	30 ct. V <sub>2</sub>	P5
	CT2	1200-800-400/1	-	80(RCT+4) @ 800A	30 ct. V <sub>2</sub>	P5
	CT3	1200-800-400/1	-	100(RCT+4) @ 800A	30 ct. V <sub>2</sub> /2	P5
	CT4	1200-800-400/1	-	100(RCT+4) @ 800A	30 ct. V <sub>2</sub> /2	P5
TRANSFORMER BAY	CT1	450-300/1	10VA	4k(RCT+2) @ 300A	30 ct. V <sub>2</sub> /4	P5
	CT2	450-300/1	-	14(RCT+2) @ 300A	30 ct. V <sub>2</sub> /2	P5
	CT3	450-300/1	-	40(RCT+4) @ 300A	30 ct. V <sub>2</sub> /2	P5
	CT4	450-300/1	-	40(RCT+4) @ 300A	30 ct. V <sub>2</sub> /2	P5
BUS COUPLER BAY	CT1	1200-800-400/1	-	80(RCT+4) @ 800A	80 ct. V <sub>2</sub>	P5
	CT2	1200-800-400/1	-	80(RCT+4) @ 800A	80 ct. V <sub>2</sub>	P5
	CT3	1200-800-400/1	-	100(RCT+4) @ 800A	30 ct. V <sub>2</sub> /2	P5
	CT4	1200-800-400/1	-	100(RCT+4) @ 800A	30 ct. V <sub>2</sub> /2	P5

Potential Transformer Data

Bay	Ratio	Rated Output (VA)	Class
BUS PT	252/100/100/100	150VA	1/3P3P

Filing pressure (CB/ES/DS/FES)

Rating	Class
0.8MPa	P5
0.5MPa	P5
0.5MPa	P5

LEGEND:  
 - - - - - PROPOSED  
 - - - - - FUTURE

\* details shall be as per Techn Spec.

50°C  
 LISC  
 shall be shown for each CT

me

All rights reserved. No part of this publication may be reproduced, stored in a retrieval system, or transmitted in any form or by any means, electronic, mechanical, photocopying, recording, or by any information storage and retrieval system, without express authority in writing from the copyright owner.

CONTRACT NO. ICI-3608-1401-RKM-C-220-CNT-001  
 CLIENT: HARYANA VIDYUT PRASARAN NIGAM LTD.

PROJECT: Construction of 220/66kV GIS Substation Raj-ka-meo Faridabad

Scale: 1:60

Prepared: [Signature] Checked: [Signature] Reviewed: [Signature] Approved: [Signature]

DATE: 06/04/2016

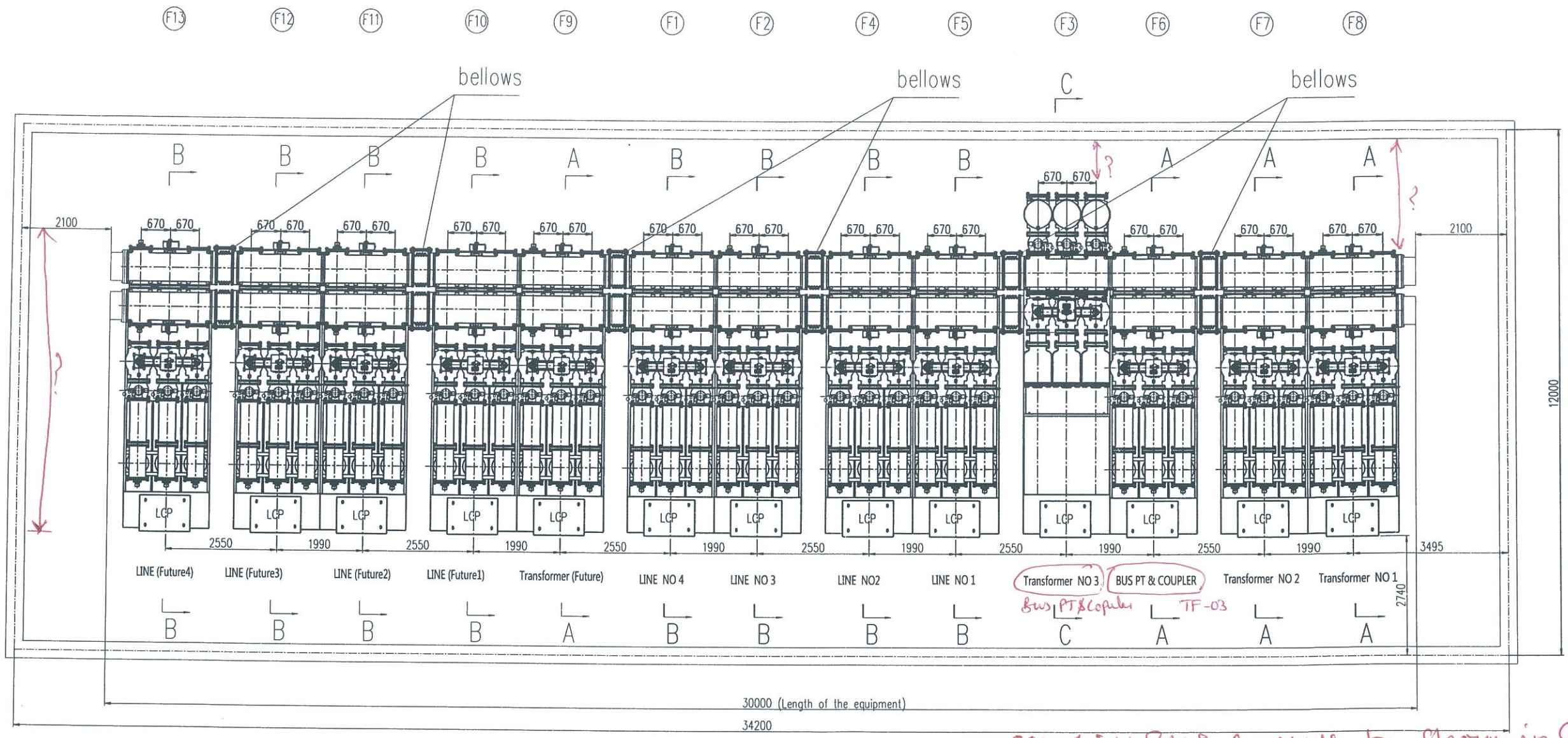
TITLE: Single Line Diagram

Dwg. No. (310002)

ISOLUX INGENIERIA S.A.

ICI-3608-1401-RKM-C-220-CNT-001

*The drawing shall confirm HVPNL tech spec / CTP / IS / etc*



**SUBJECT TO CORRECTIONS  
 MARKED IN RED INK**

*\* Size of GIS Hall & GIS Equipment shall be sufficient to accommodate the GIS & sufficient space should be provided for handling of Equipment for service etc. & for movement of EOT crane*

NO.	BAY NAME	WEIGHT(APP)
1	TRANSFORMER/LINE BAY	9 T
2	BUS COUPLER BAY	7.5 T
3	PT BAY	4.5 T

Approval by the contracting officer of the contractor's drawing shall not be held to relieve the contractor of any part of the Contractor's obligation to meet all the requirements of the specification or of the responsibility for the Design & correctness of the contractor's drawing. The drawing shall conform to HVPNL Technical Specification/CTP

Checked: [Signature] (Design)  
 RECOMMENDED: [Signature] Executive Engineer (Design)  
 APPROVED: [Signature] Superintending Engineer (Design) For O&M  
 Haryana Vidyut Prasaran Nigam Ltd.

Prepared:				Checked:				Reviewed:				Approved:			
0	Lipeng	Yongyan	Yaojunfeng	06/04/2016	1	Lipeng	Yongyan	Yaojunfeng	06/05/2016	TITLE: Layout Design					
Format: A1												Dwg.No. (220kV)		Sheets	

CONTRACT NO. **W385486.87/G-23C**  
 CLIENT: HARYANA VIDYUT PRASARAN NIGAM LTD.  
 PROJECT: Construction of 220/66kV GIS Substation Roj-ka-meo Faridabad  
 Scale: 1:50  
 ISOLUX INGENIERIA S.A.  
 ICI-3608-1401-RKM-C-220-CNT-002

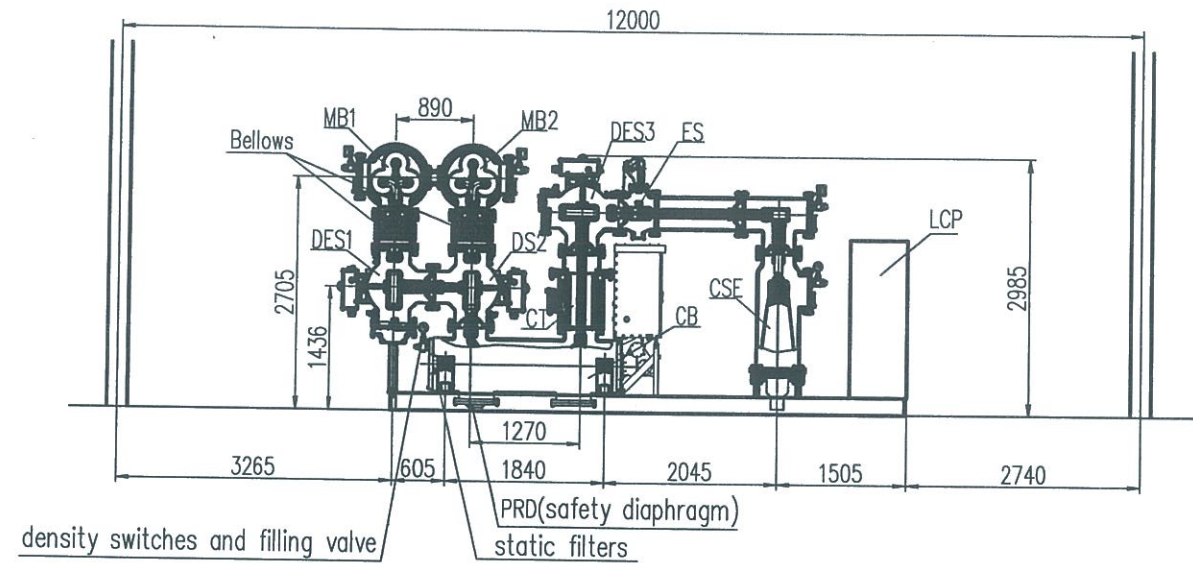
ALL RIGHTS RESERVED. ANY REPRODUCTION OR DISTRIBUTION OF THIS DOCUMENT WITHOUT EXPRESS AUTHORITY IS STRICTLY FORBIDDEN. © ISOLUX CORP.

\* The dgs. shall conform HVPNL tech. spec/CIIP/IS/IEC/etc.

Ref

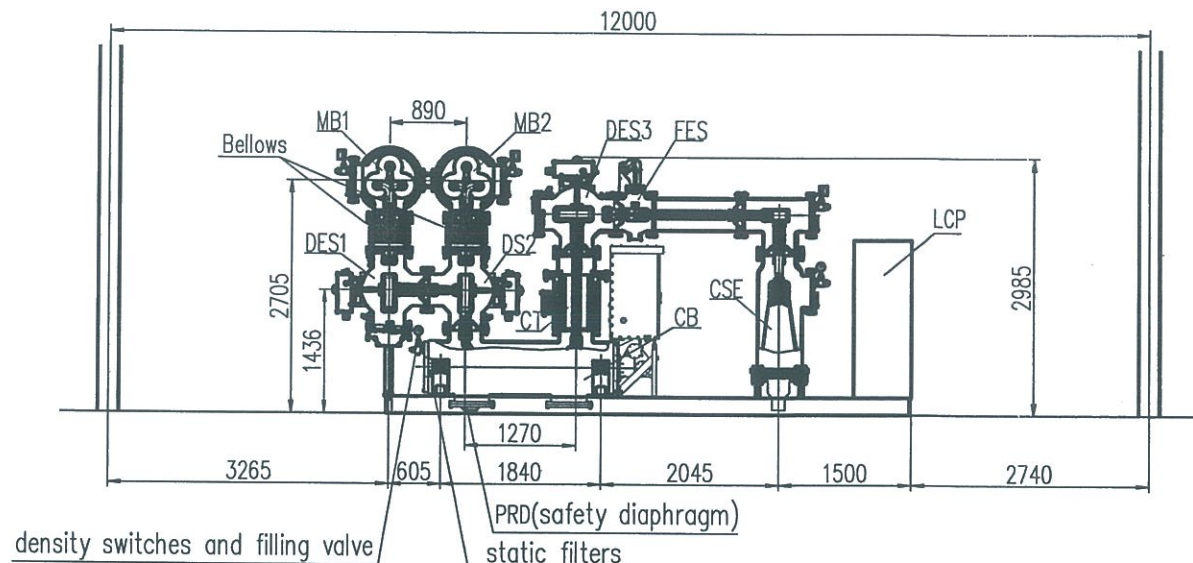
SECTION A-A

(F6) (F7) (F8) (F9)



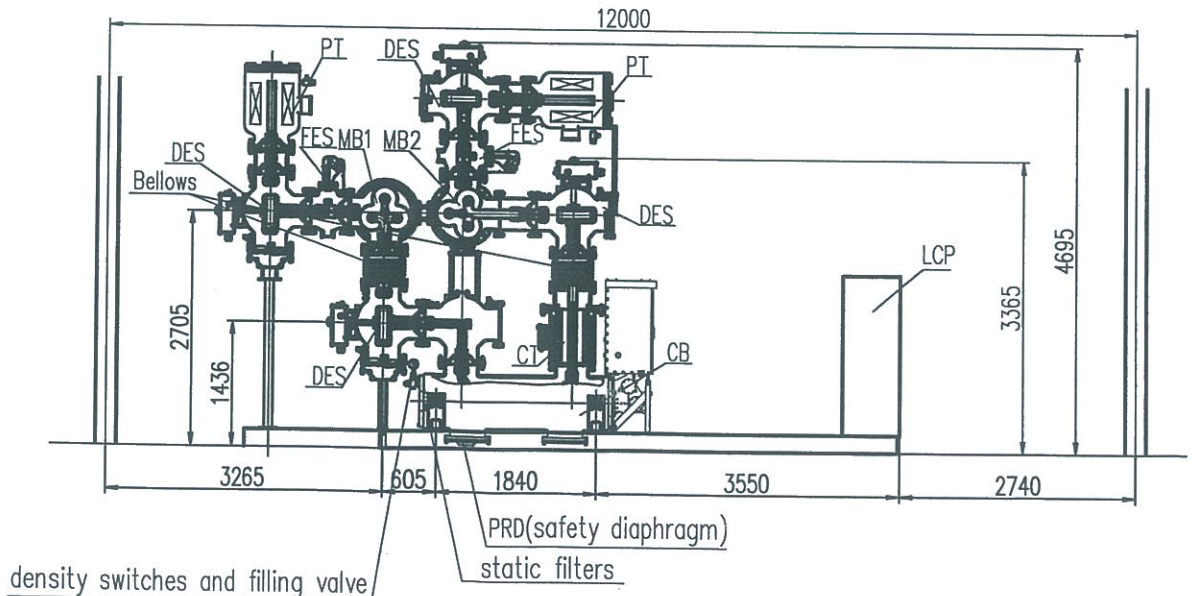
SECTION B-B

(F1) (F2) (F4) (F5) (F10) (F11) (F12) (F13)



SECTION C-C

(F3)



GIS COMPONENT NAME

NO	SYMBOL	CODE	NAME	REMARK
1		GIS	SF6 GAS INSULATED SWITCHGEAR	
2	⚡	CB	CIRCUIT BREAKER	
3	⚡	DES	DISCONNECTING EARTHING SWITCHGEAR	
4	⚡	DS	DISCONNECTOR SWITCHGEAR	
5	⚡	ES	EARTHING SWITCHGEAR	
6	⚡	FES	FAST EARTHING SWITCHGEAR	
7	↑	CSE	CABLE SEALING END	
8	◇	BSG	BUSHING	
9	⚡	CT	CURRENT TRANSFORMER	
10	⊖	BPT	POTENTIAL TRANSFORMER(THREE PHASE)	
11	⊖	LPT	POTENTIAL TRANSFORMER (THREE PHASE)	
12	⚡	LA	LIGHTNING ARRESTOR	
13	⚡	VD	LIVE DISPLAY	
			LCP	LOCAL CONTROL PANEL

Note: Belows between main bus and bus isolator (DES) serve as intermediate chamber to be used for service purposes of GIS modules.

We reserve all rights in this document and in the information contained herein without express authority in writing for its reproduction.

CONTRACT NO. HARYANA VIDYUT PRASARAN NIGAM LTD.

PROJECT: Construction of 220/66kV GIS Substation Raj-ka-meo Faridabad

Scale: 1:40

Prepared: Lpang, Checked: Yangyan, Reviewed: Yoojunfeng, Approved: Yoojunfeng

Date: 06/04/2016, 06/05/2016

Format: A1

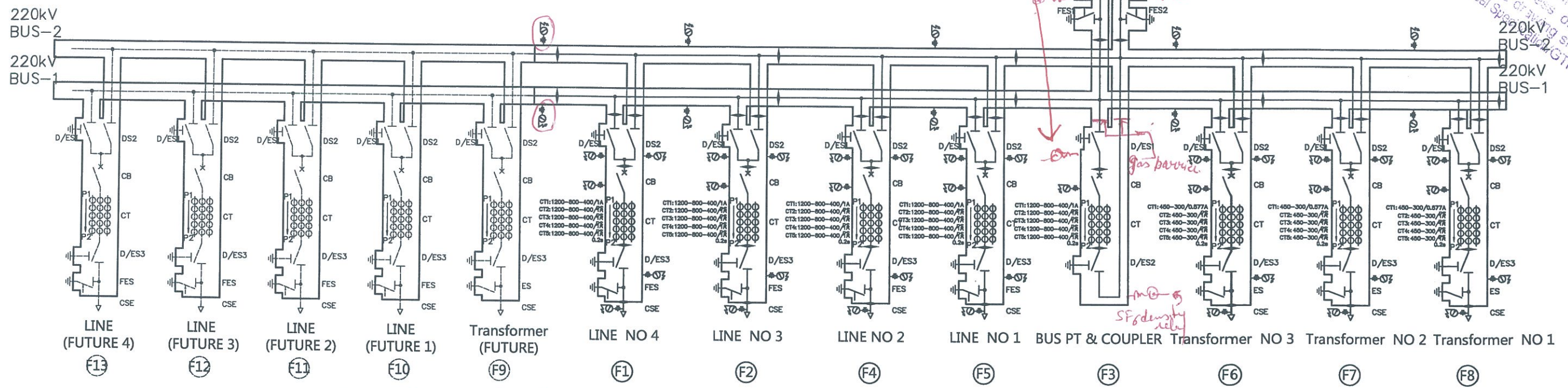
ISOLUX INGENIERIA S.A.

ICI-3608-1401-RKM-C-220-CNT-003

Rev.	Remarks	REV.BY	CHK.BY

*\* The drawing shall confirm HWPNL Tech spec/GTB/IS/IEC etc.*

Approval by the contracting officer of the contractor shall not be held to relieve the contractor of any part of the contractor's obligation to specification or the responsibility for the Design & construction of the contractor's drawing. The drawing shall conform to HWPNL Technical Specifications.



*\* intermediate chamber shall be shown.*

**SUBJECT TO CORRECTIONS  
MARKED IN RED INK**

1) GIS COMPONENT NAME

NO	SYMBOL	CODE	NAME	REMARK
1	GIS		SF6 GAS INSULATED SWITCHGEAR	
2	CB		CIRCUIT BREAKER	
3	DES		DISCONNECTING EARTHING SWITCHGEAR	
4	DS		DISCONNECTOR SWITCHGEAR	
5	ES		EARTHING SWITCHGEAR	
6	FES		FAST EARTHING SWITCHGEAR	
7	CSE		CABLE SEALING END	
8	BSG		BUSHING	X
9	CT		CURRENT TRANSFORMER	
10	BPT		POTENTIAL TRANSFORMER (THREE PHASE)	
11	LPT		POTENTIAL TRANSFORMER (THREE PHASE)	
12	LA		LIGHTNING ARRESTOR	X
13	LD		LIVE DISPLAY	
	LCP		LOCAL CONTROL PANEL	

2) GIS COMPONENT Rating

NAME	RATED VOLTAGE	RATED CURRENT	SHORT TIME RATING CURRENT AND DURATION	REMARK
GIS	252kV	4000A	50kA/3s	
CB	252kV	4000A	50kA/3s	
DES	252kV	4000A	50kA/3s	
DS	252kV	4000A	50kA/3s	
ES	252kV	4000A	50kA/3s	
FES	252kV	4000A	50kA/3s	
CSE	252kV	4000A	50kA/3s	

Rating

1. Rated Voltage: 252 kV
2. Rated Frequency: 50 Hz
3. Rated lightning impulse withstand voltage: 1050 kV
4. Rated short time power frequency withstand voltage: 480 kV
5. Rated normal current - Busbar: 4000 A
6. Rated Supply Voltage: 220 V DC

Current Transformer (Ring Type)

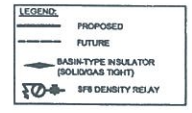
Bay	Core	Ratio	Rated Output	Secondary resistance	Max. Term. Exciting Current	Class
LINE BAY	CT1	1200-800-400/1	-	80(RCT+9) @ 800A	80 at 1/2	PS
	CT2	1200-800-400/1	-	80(RCT+9) @ 800A	80 at 1/2	PS
	CT3	1200-800-400/1	-	100(RCT+9) @ 800A	30 at 1/2	PS
	CT4	1200-800-400/1	-	100(RCT+9) @ 800A	30 at 1/2	PS
TRANSFORMER BAY	CT1	450-300/0.577A	10VA	40(RCT+2) @ 300A	30 at 1/2	PS
	CT2	450-300/1	-	14(RCT+2) @ 300A	30 at 1/2	PS
	CT3	450-300/1	-	40(RCT+2) @ 300A	30 at 1/2	PS
	CT4	450-300/1	-	40(RCT+2) @ 300A	30 at 1/2	PS
BUS COUPLER BAY	CT1	1200-800-400/1	-	80(RCT+9) @ 800A	80 at 1/2	PS
	CT2	1200-800-400/1	-	80(RCT+9) @ 800A	80 at 1/2	PS
	CT3	1200-800-400/1	-	100(RCT+9) @ 800A	30 at 1/2	PS
	CT4	1200-800-400/1	-	100(RCT+9) @ 800A	30 at 1/2	PS

Potential Transformer Data

Bay	Ratio	Rated Output (VA)	Class
BUS PT	220/100/50/25	15000	1/3BP

Filling pressure (CB/DES/DS/ES/FES) (gauge pressure at 20°C)

Rated	Alarmed	Lockout for CB
0.6MPa	0.55MPa	0.50MPa



*100(RCT+4) complete description shall be shown.*

*100(RCT+4)*

*40(RCT+4)*

*1SF shall be shown for all CT's*

*\* separate box for scaling of metering core in CT's is required as per tech. spec.*

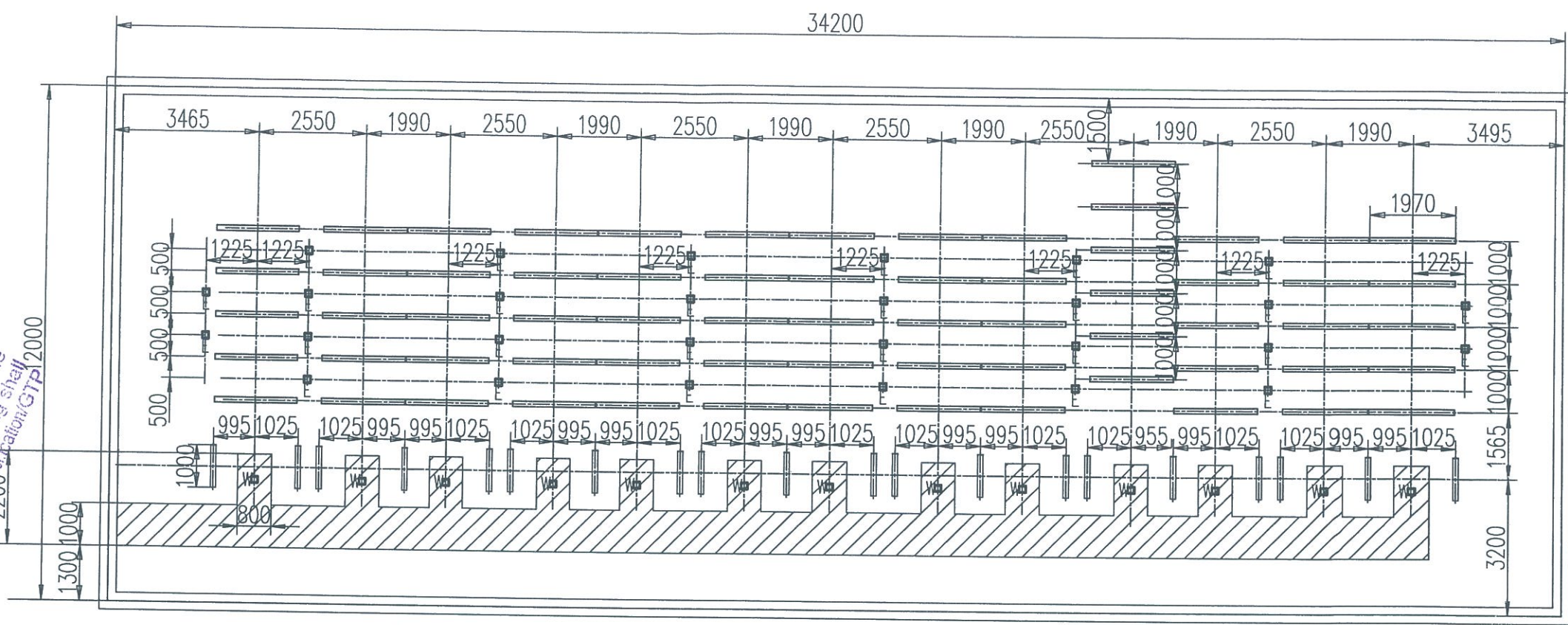
Checked: [Signature] (Design)  
 RECOMMENDED: [Signature] (Design)  
 APPROVED: [Signature] (Design)  
 Haryana Vidyut Prasaran Nigam Ltd.

CONTRACT NO. 138/16/87/G-23C  
 CLIENT: HARYANA VIDYUT PRASARAN NIGAM LTD.  
 PROJECT: Construction of 220/66kV GIS Substation Roj-ka-meo Faridabad  
 Scale: 1:60  
 Total Sh. [ ]  
 Sheets [ ]

Jinggu Jingke Smart Electric LTD

Prepared:	Checked:	Reviewed:	Approved:
0 Lipeng	Yangyan	Yuejunfeng	06/04/2020
1 Lipeng	Yangyan	Yuejunfeng	06/05/2020

ISOLUX INGENIERIA S.A.  
 ICI-3608-1401-RKM-C-220-CNT-004



*Handwritten signature*

Approval by the contracting officer of the contractor's drawing shall not be part of the contractor's obligation to the Designer or of the responsibility of the contractor's drawing. The responsibility shall remain to HYPNL Technical Specifications. The drawing shall be in accordance with GTP/2000.

SUBJECT TO CORRECTIONS MARKED IN RED INK

LINE (Future4) LINE (Future3) LINE (Future2) LINE (Future1) Transformer (Future) LINE NO 4 LINE NO 3 LINE NO 2 LINE NO 1 BUS PT & COUPLER Transformer NO 3 Transformer NO 2 Transformer NO 1

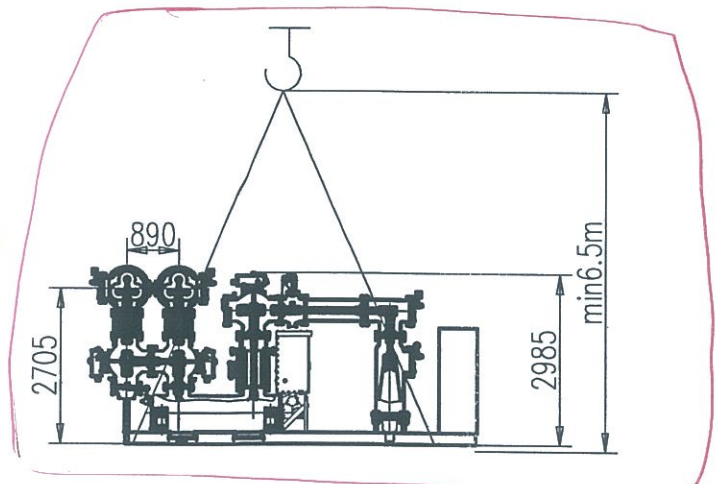
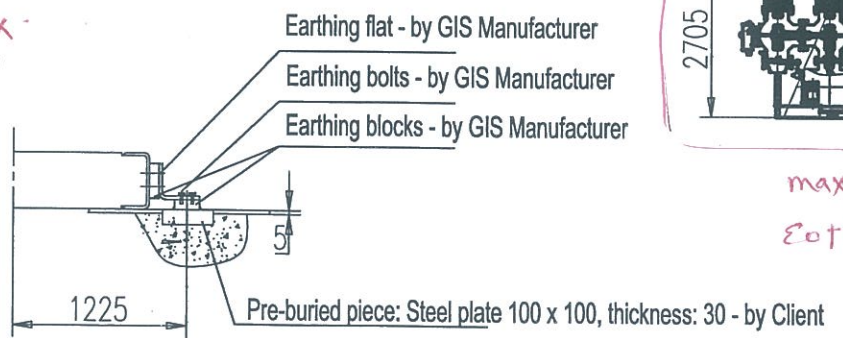
\* Trench for Power cable shall be shown.

Technical Requirements:

- The pre-buried channel steel shall be 5 mm higher than the floor level;  
The overall horizontal error of the floor foundation shall not be greater than 2 mm;  
The horizontal error of the channel steel shall not be greater than 2 mm;
- The grounding resistance of the earthing net shall not be greater than 0.5 Ohm;
- The average horizontal loading of the GIS floor is 10kN per square meter;
- Each pre-buried channel steel shall be reliably connected to the main earthing net;
- E refers to primary grounding points; W refers to secondary grounding points;
- The hole dimension of bus duct through the wall is 700mm×700mm. Refer to "through the wall hole" design for details;
- The shadowed section is the cable channel of the secondary control cables. Width: 1500 mm; Depth: not less than 150mm;
- The net dimension of the GIS hall entrance door: 3000 mm (W) x 4000 mm (H);
- Detailed explanation of pre-buried channel steel:

Pre-buried channel steel	Specifications	Length (Meters)	Quantities (Nos)	Loading
	126 X53 X5.5	1.97	66	Max. static load: 10kN; Max. downward dynamic load: 10kN; Max. upward dynamic load: 5kN;
	126 X53 X5.5	1	20	

Checked / RECOMMENDED / APPROVED  
 AFE/AE / Executive Engineer / Superintending Engineer (Design)  
 (Design) / (Design) / For CE/MM  
 Haryana Vidyut Prasaran Nigam Ltd.



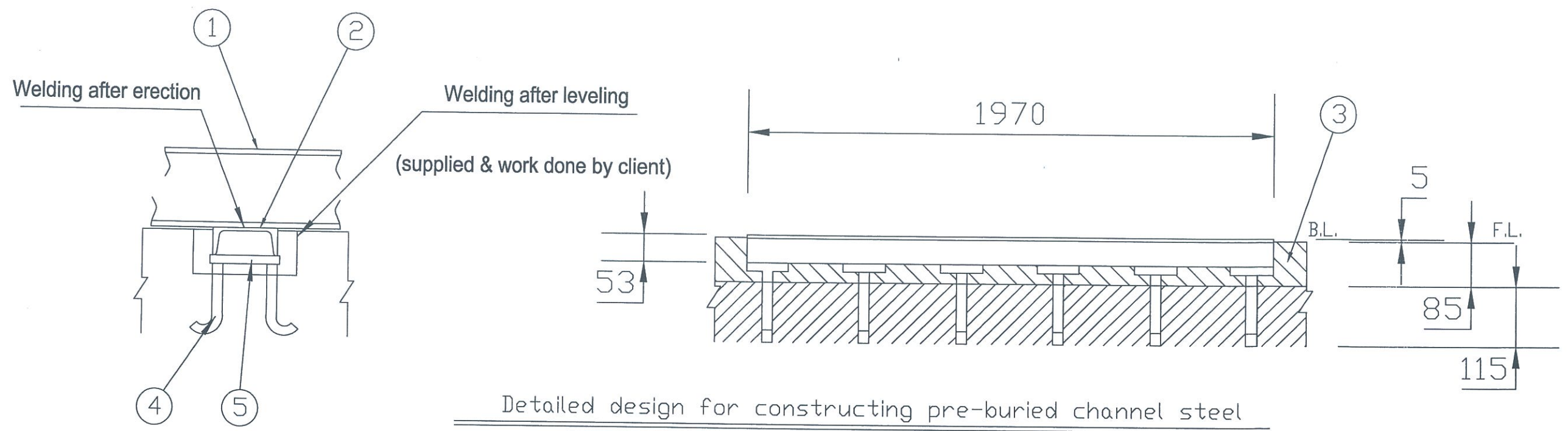
max. height of Equipment shall be 4695 mm & EOT height shall be accordingly

- There are 28 nos of primary grounding points "E";  
13 nos of secondary grounding points "W";
- GIS hall EOT crane capacity shall be 5 Ton (for service purpose only).

10 Ton

Illustration for GIS Earthing

CONTRACT NO.		HARYANA VIDYUT PRASARAN NIGAM LTD.	
PROJECT		Construction of 220/66kV GIS Substation Raj-ka-meo Faridabad	
Prepared:	Checked:	Reviewed:	Approved:
o Lipeng	Yangyan	Yao Junfeng	06/04/2016
1 Lipeng	Yangyan	Yao Junfeng	06/05/2016
ISOLUX INGENIERIA S.A.		Fundation Design	
Format: A1		Dwg.No. (220 lev)	
Rev.		Remarks	
REV.BY		CHK.BY	
ISOLUX INGENIERIA S.A.		ICI-3608-1401-RKM-C-220-CNT-005	
Scale 1:60		Total Sh.	
Sheets		ISOLUX INGENIERIA S.A.	



Scope of supplies

S/n	Description	GIS Manufacturer	Client
1	GIS Supporting Structure	○	
2	Channel Steel (126mmx53mmx5.5mm)		○
3	Secondary concrete		○
4	Round steel diameter 20 Q235A		○
5	Steel plate Q235A(30mmx136mmx16mm)		○

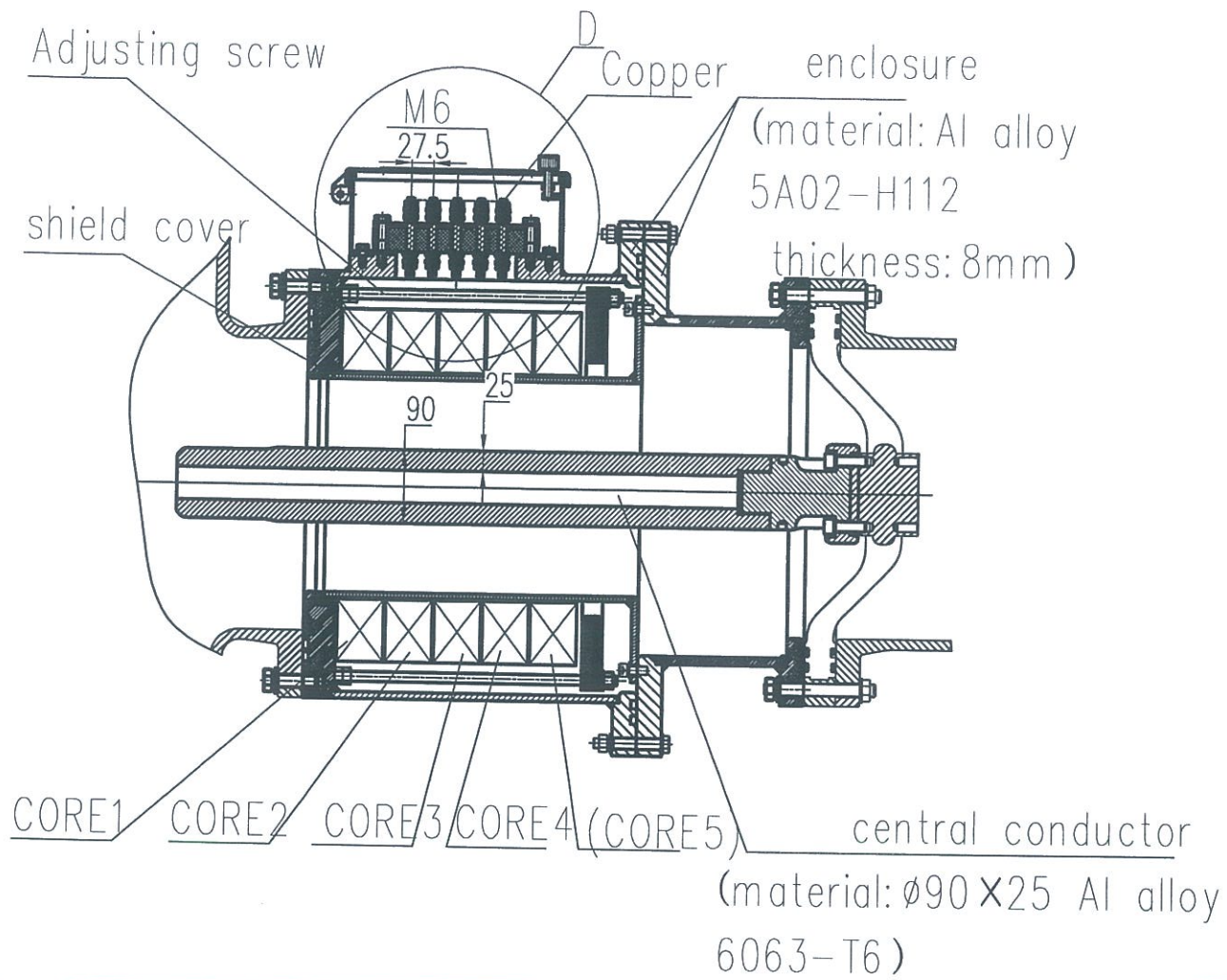
Note:

1. Horizontal error between both ends of channel steel  
should be less than  $\pm 2\text{mm}$
2. Difference between highest and lowest level of all channel steels  
should be less than  $\pm 2\text{mm}$
3. F.L. refers to Floor Level; B.L. refers to Foundation (base) Level;

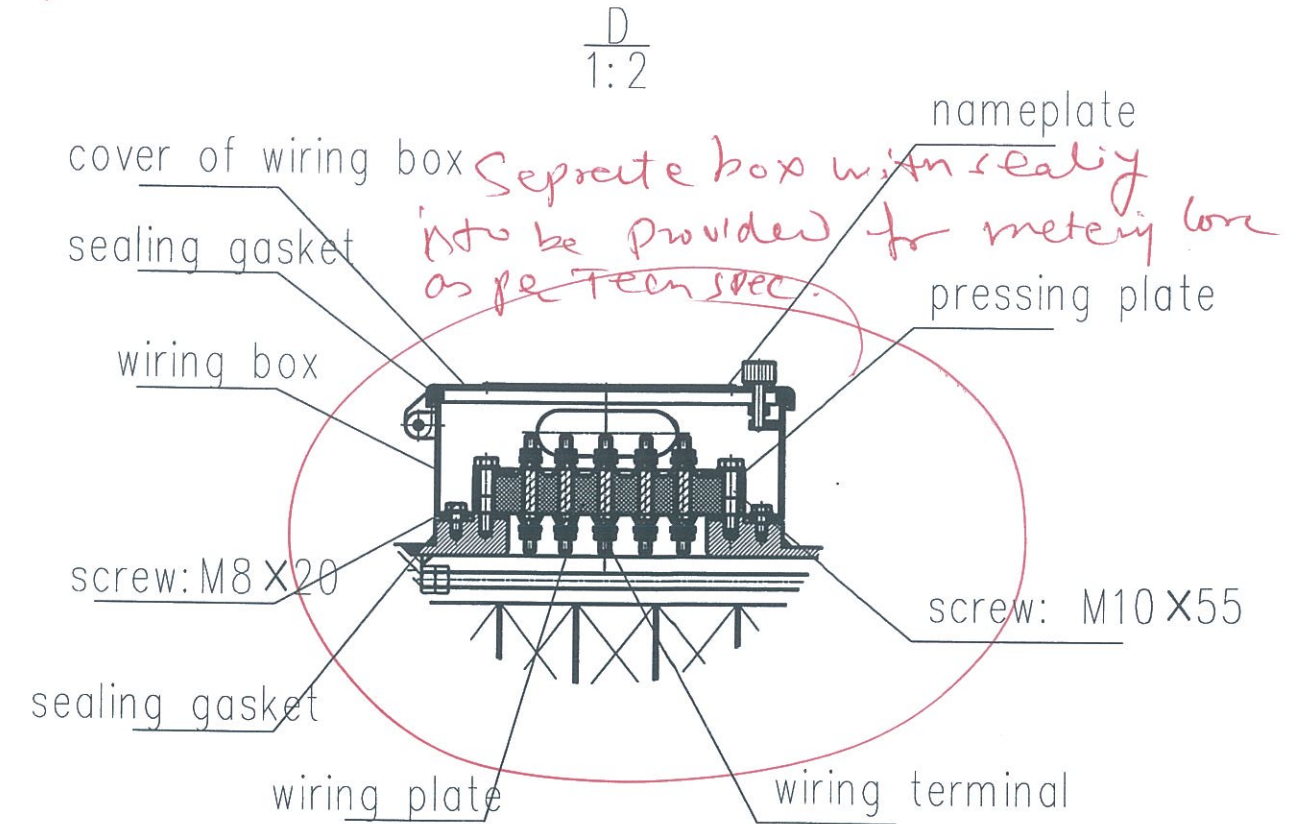
We reserve all rights in this document and in the information contained therein in reproduction, use or disclosure to third parties without express authority in writing from ISOLUX CORP.

CONTRACT NO. CLIENT: HARYANA VIDYUT PRASARAN NIGAM LTD.		PROJECT: Construction of 220/66KV GIS Substation Roj-ka-meo Faridabad Scale: 1:4 Total Sh.
PROJECT: Construction of 220/66KV GIS Substation Roj-ka-meo Faridabad		
Prepared: 0 Lipeng Yangyan Checked: Yacjunfeng Reviewed: Yacjunfeng Approved: 06/04/2016 1 Lipeng Yangyan Yacjunfeng 06/05/2016		TITLE: Foundation Sketch Format: A1 Dwg.No. ICI-3608-1401-RKM-C-220-CNT-006 Sheets
ISOLUX INGENIERIA S.A.		

\* The detail should confirm MVRML TEEN SPEC / GTP / 13 / 11 EC @



ref



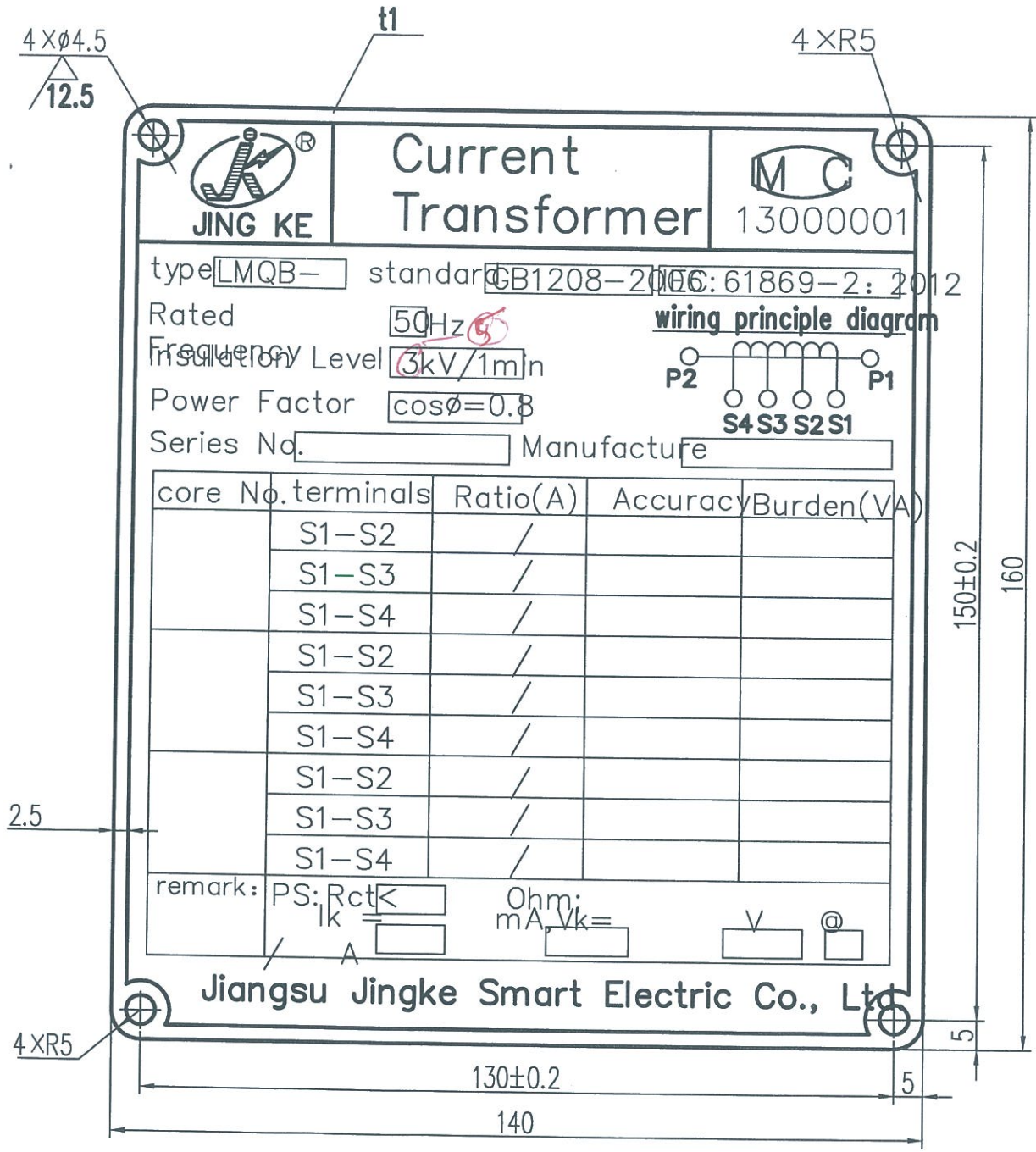
Current Transformer (Ring Type)						
Bay	Core	Ratio ( $\frac{A}{A}$ )	Rated Output (VA)	Secondary resistance at 75	Maximum Exciting Current (mA)	Class
LINE BAY	CT1:	1200-800-400/1	-	80(RCT+9) @ 800A	80 at V <sub>k</sub>	PS
	CT2:	1200-800-400/1	-	80(RCT+9) @ 800A	80 at V <sub>k</sub>	PS
	CT3:	1200-800-400/1	-	100(RCT+9) @ 800A	30 at V <sub>k</sub> /2	PS
	CT4:	1200-800-400/1	-	100(RCT+9) @ 800A	30 at V <sub>k</sub> /2	PS
	CT5:	1200-800-400/1	10VA	-	-	0.2s
TRANSFORMER BAY	CT1:	450-300/0.577	-	40(RCT+2) @ 300A	30 at V <sub>k</sub> /4	PS
	CT2:	450-300/1	-	14(RCT+2) @ 300A	30 at V <sub>k</sub> /2	PS
	CT3:	450-300/1	-	40(RCT+9) @ 300A	30 at V <sub>k</sub> /2	PS
	CT4:	450-300/1	-	40(RCT+9) @ 300A	30 at V <sub>k</sub> /2	PS
	CT5:	450-300/1	10VA	-	-	0.2s
BUS COUPLER BAY	CT1:	1200-800-400/1	-	80(RCT+9) @ 800A	80 at V <sub>k</sub>	PS
	CT2:	1200-800-400/1	-	80(RCT+9) @ 800A	80 at V <sub>k</sub>	PS
	CT3:	1200-800-400/1	-	100(RCT+9) @ 800A	30 at V <sub>k</sub> /2	PS
	CT4:	1200-800-400/1	-	100(RCT+9) @ 800A	30 at V <sub>k</sub> /2	PS
	CT5:	1200-800-400/1	10VA	-	-	0.2s

\* Complete description shall be shown & the detail should be as per MVRML TEEN SPEC & ISF for all CTs shall be shown

The information contained in this document and in the information contained here in is the property of ISOLUX INGENIERIA S.A. without express authority is strictly forbidden.

Jiangsu Jingke Smart Electric CO., LTD Prepared: [ ] Checked: [ ] Reviewed: [ ] Approved: [ ]				CONTRACT NO. CLIENT: HARYANA VIDYUT PRASARAN NIGAM LTD. PROJECT: Construction of 220/66kV GIS Substation Roj-ka-meo Faridabad	Scale: 1:4 Total Sh. [ ] Sheet No. [ ]
0 Liping 1 Liping	Yangyan Yangyan	Yaojunfeng Yaojunfeng	16/04/2016 06/05/2016	TITLE: CT Cross Sectional View Details Dwg.No. ICI-3608-1401-RKM-C-220-CNT-007	ISOLUX INGENIERIA S.A.

\* Name Plate shall be completely filled for T/F, line  
 & Bus coupler CT. separately & core shall be shown.

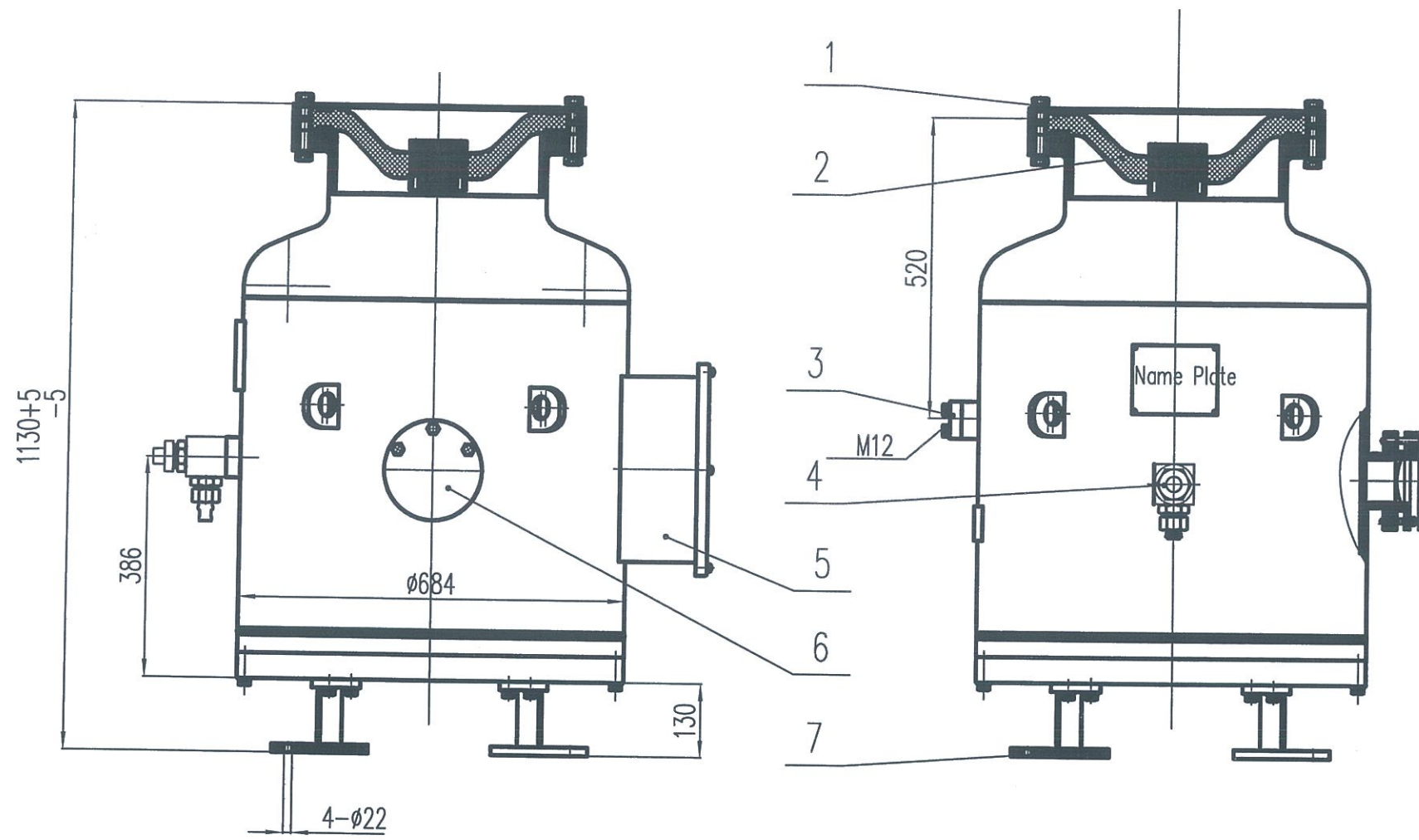


1. Nameplate font, size, depth:  
 Superscript uses bold type with height of 3.5mm, notch depth 0.1-0.2  
 Subscript uses Song font with height of 205mm, notch depth 0.1-0.2  
 Middle script uses bold type with height of 2.1mm, notch depth 0.1-0.2
2. The material of nameplate:  
 Stainless steel mirror-wise plate 304, thickness: 0.5

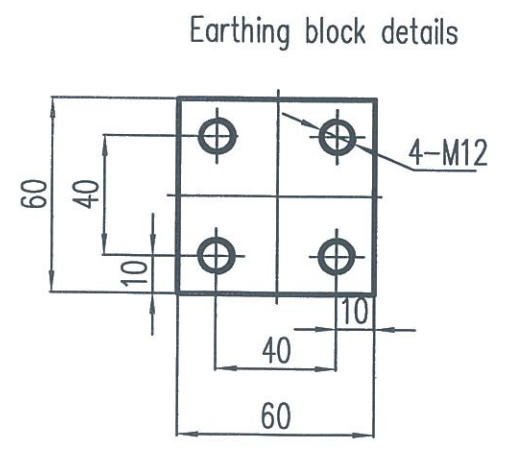
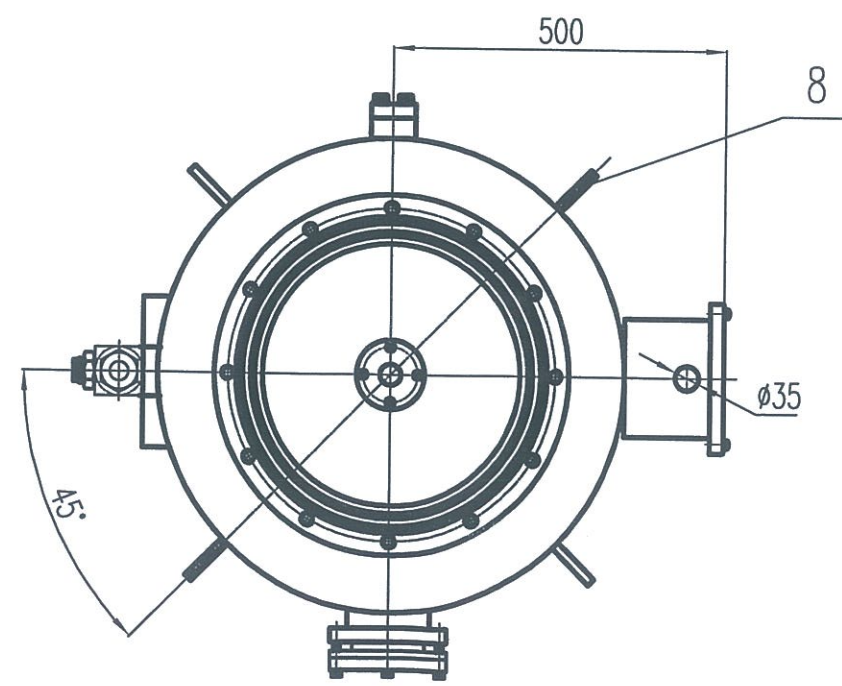
*ref*

The information contained in this document and in the information contained here in is the property of ISOLUX CONSULTING without express authority is strictly forbidden.

CONTRACT NO.				CLIENT HARYANA VIDYUT PRASARAN NIGAM LTD.	
PROJECT Construction of 220/66kV GIS Substation Roj-ka-meo Faridabad				Scale 2:1	
Prepared: [ ] Checked: [ ] Reviewed: [ ] Approved: [ ]				TITLE Nameplate for CT	
ISOLUX INGENIERIA S.A.				Dwg.No. ICI-3608-1401-RKM-C-220-CNT-008	



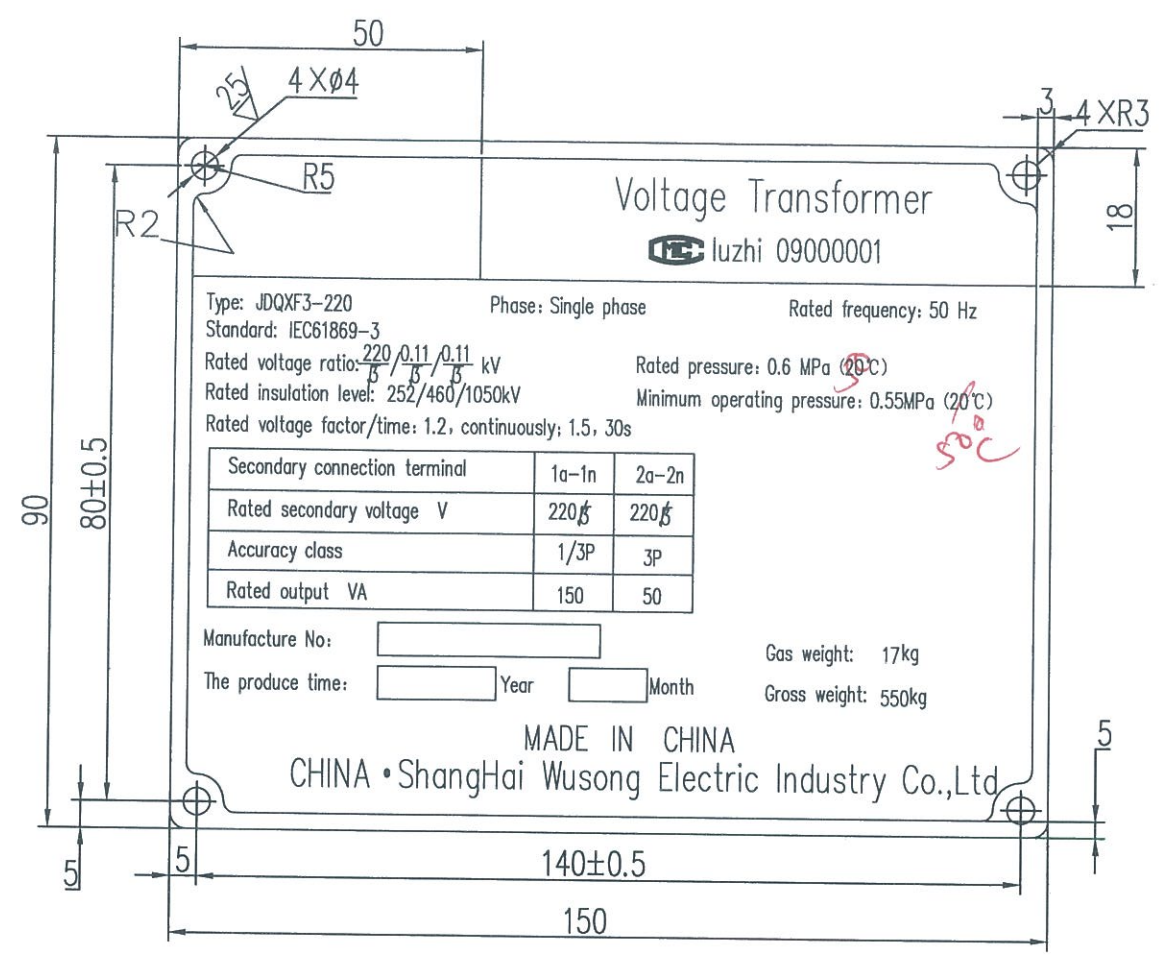
1. Protective cover plate of insulator
2. Insulator basin
3. Earthing block (1 pcs)
4. Gas filling valve
5. Termination box
6. Pressure relief device
7. Supports (4 pcs)
8. Lifting ring (4 pcs)



*def*

No warranty is given in this document and in the information contained therein in respect of accuracy or otherwise to the extent that the user may rely on the information without liability to the provider.

CONTRACT NO.		HARYANA VIDYUT PRASARAN NIGAM LTD.	
CLIENT		Construction of 220/66kV GIS Substation Roj-ka-meo Faridabad	
PROJECT		Jiangsu Jingke Smart Electric CO., LTD	
Prepared:	Checked:	Reviewed:	Approved:
0	Liping	Yanzun	Yaojunling 16/04/2016
TITLE		PT Cross Sectional View Details	
Dwg.No.		ICI-3608-1401-RKM-C-220-CNT-009	
ISOLUX INGENIERIA S.A.		Forma: A1	
Rev.	Remarks	REV.BY	CHK.BY



Note:

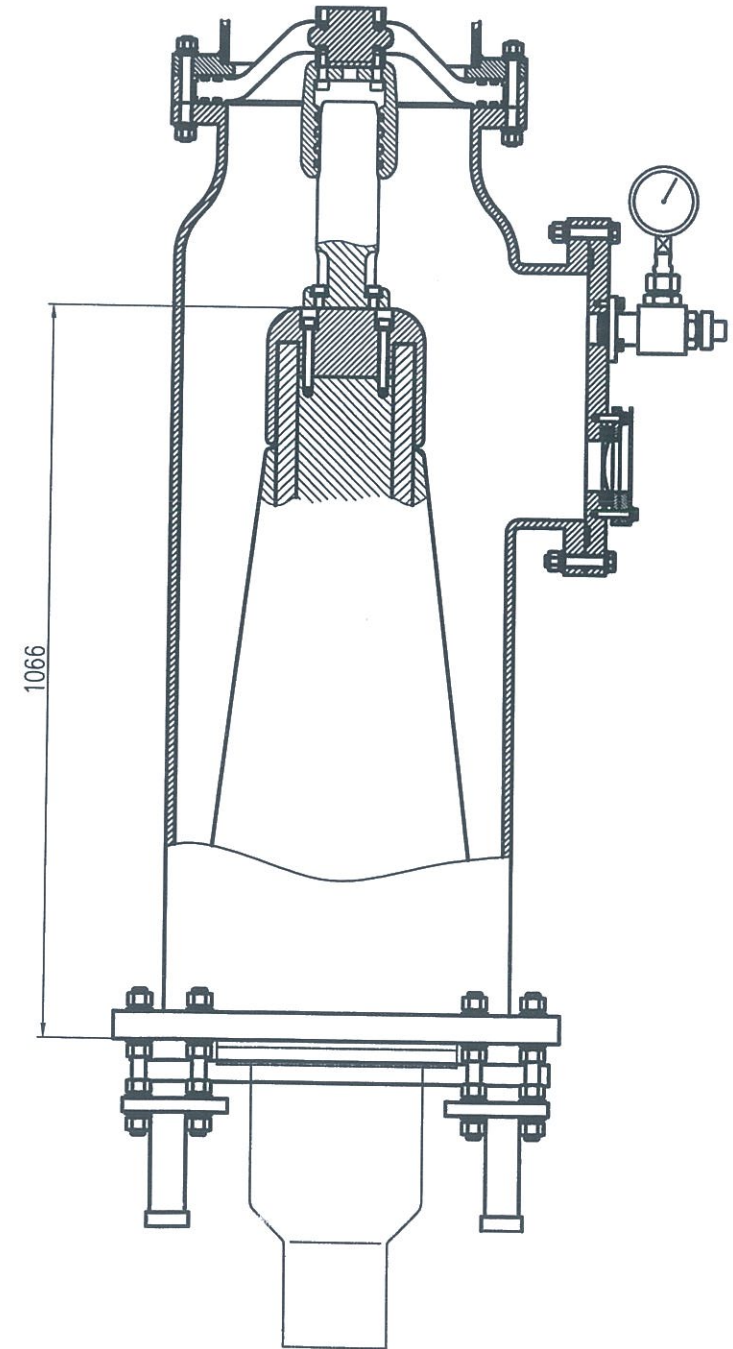
1. Material: Stainless steel, mirror plate;
2. Thickness: 0.7mm;
3. Printing method: Electro-corrosion for first printing;  
Electric engraving for second printing;
4. Contents, texts, graphics, symbols, tables: 0.3 mm cossosion
5. Color: Black amnio-electrostatic enamel paint;  
The rest is polished without painting.
6. Font fact & size: Arial 5

The copyright of this drawing is reserved by the design unit. Any reproduction or dissemination of this drawing without the express authority is strictly forbidden. © ISOLUX INGENIERIA S.A.

CONTRACT NO.		HARYANA VIDYUT PRASARAN NIGAM LTD.	
CLIENT		PROJECT: Construction of 220/66kV GIS Substation Foj-ka-meo Faridabad	
Prepared: O Lipang		Checked: Yangyan	Reviewed: YaoJunfeng 18/04/2016
Approved:		TITLE: Nameplate for PT	
Rev.		Remarks	REV. BY CHK. BY
ISOLUX INGENIERIA S.A.		Dwg.No. ICI-3608-1401-RKM-C-220-CNT-010	
Scale 2:1		Total Sh. 1	
Sheets		1	

S.N.	Name Of Components	Supplide by GIS Make	Supplide by Cable Make
1	Conductor	▲	
2	Bolts&washers	▲	
3	Enclosure	▲	
4	SF <sub>6</sub> Gas	▲	
5	Sealing Gasket	▲	
6	Bolts for Connecting Enclosure&Base	▲	
7	Bolts for Cable Termination	▲	
8	Bolts&washers	▲	
9	Grading ring for Cable Termination		●
10	Cable Termination		●

*uf.*



Rated voltage	252kVrms
Rated Frequency	50Hz
Rated lightning impulse withstand voltage	1050kVp
Rated Power Freq withstand voltage	460kVrms
Rated current busbar	4000A
Rated short-time withstand current	50kA/3s
Rated short-circuit break current	50kA/3s
Rated voltage for condrd circuit	220V DC
Motor voltage circuit breaker	220V DC
Motor voltage isdator/earthing switch	220V DC
Heater voltage	220V AC
Rated peak withstand current	125kA
Rated Power Freq withstand voltage across open isdato	530kV
Rated lightning impulse withstand voltage across open isdato	200kV
Permissible partial discharge intensity at 1.1Un	≤5pc
Acceler ation due to Gravity	ZONE-V
Filling pressure (as gauge pressure at 20°C)	Rated 0.6MPa Alarmed 0.55MPa

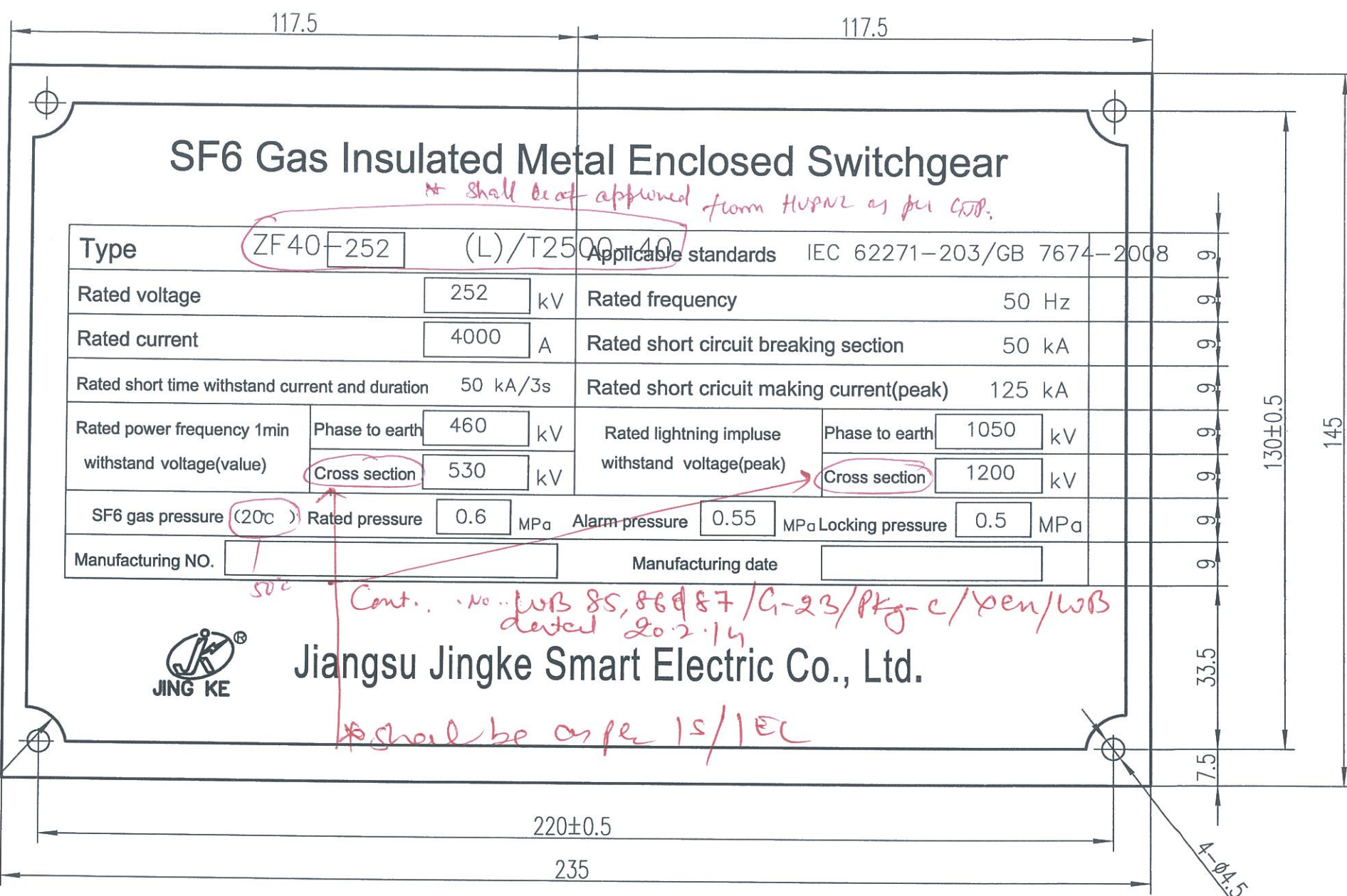
*\* shell be as per HVPAL tech. spec / 408.*

Applied standard: IEC 60859

We reserve all rights in this document and its contents. No part of this document may be reproduced, stored in a retrieval system, or transmitted in any form or by any means, without express authority in writing from ISOLUX CORP.

CONTRACT NO.		CLIENT		PROJECT	
		HARYANA VIDYUT PRASARAN NIGAM LTD.		Construction of 220/66KV GIS Substation Raj-ka-meo Faridabad	
Prepared:	Checked:	Reviewed:	Approved:	Scale 1:5	
O Lpang	Yongyan	Yoojinfang	18/04/2016	TITLE Cable end Sealing Drawing for GIS	
Rev.	Remarks	REV.BY	CHK.BY	Format: A1	Dwg.No. ICI-3608-1401-RKM-C-220-CNT-011
				ISOLUX INGENIERIA S.A.	Sheets

The drawing shall be strictly confirm to HVPMN Tech Spec /GTP/15/1/EC etc



Approval by the contracting officer of the contractor's drawing shall not be held to relieve the contractor of any part of the Contractor's obligation to meet all the technical requirements of the specification or of his responsibility for the Design & correctness of the contractor's drawing. The drawing shall confirm to HVPMN Technical Specification CTP

**SUBJECT TO CORRECTIONS  
MARKED IN RED INK**

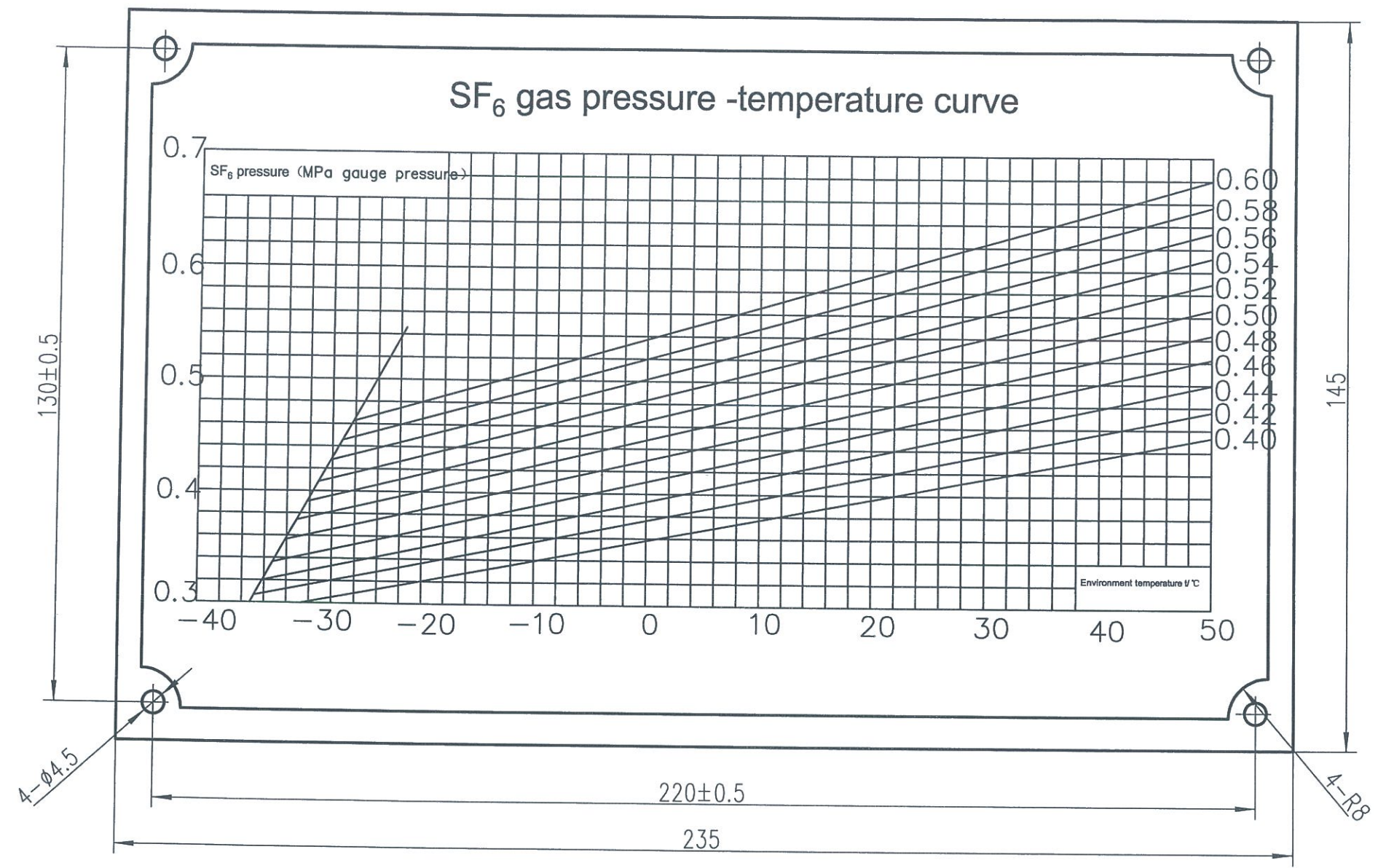
Checked: [Signature] RECOMMENDED: [Signature] APPROVED: [Signature]  
 (Design) Executive Engineer (Design) Superintending Engineer (Design)  
 Haryana Vidyut Prasaran Nigam Ltd.

Note:

1. Material: Stainless steel, mirror plate;
2. Thickness: 0.7mm;
3. Printing method: Electro-corrosion for first printing; Electric engraving for second printing;
4. Contents, texts, graphics, symbols, tables: 0.3 mm cossosion
5. Color: Black amnio-electrostatic enamel paint; The rest is polished without painting.
6. Font fact & size: Arial 5

We reserve all rights in this document and in the information contained herein without express authority in writing from ISOLUX INGENIERIA S.A.

CONTRACT NO.			
CLIENT: HARYANA VIDYUT PRASARAN NIGAM LTD.			
PROJECT: Construction of 220/66kV GIS Substation Roj-ka-meo Faridabad			
Prepared:	Checked:	Reviewed:	Approved:
0 Lipang	Yanyan	YaoJinfeng	16/04/2016
TITLE: Nameplate for 220kV GIS			
Dwg.No. ICI-3608-1401-RKM-C-220-CNT-012			
Format: A1			
ISOLUX INGENIERIA S.A.			



*Handwritten signature*

**Note:**

1. Material: Stainless steel, mirror plate;
2. Thickness: 0.7mm;
3. Printing method: Electro-corrosion for first printing;  
Electric engraving for second printing;
4. Contents, texts, graphics, symbols, tables: 0.3 mm cossosion
5. Color: Black amnio-electrostatic enamel paint;  
The rest is polished without painting.
6. Font fact & size: Arial 5

All rights reserved. No part of this document may be reproduced, stored in a retrieval system, or transmitted in any form or by any means, without express authority in writing from SOLUX CORSA.

CONTRACT NO.		CLIENT		PROJECT		TITLE	
		HARYANA VIDYUT PRASARAN NIGAM LTD.		Construction of 220/66kV GIS Substation Roj-ka-meo Faridabad		Nameplate for GIS(SF <sub>6</sub> pressure curve)	
Prepared:		Checked:		Reviewed:		Approved:	
0 Uping		Yangyan		Yaojunfeng 16/04/2016			
Rev.		Remarks		REV.BY/CHK.BY		Format: A1	
				ISOLUX INGENIERIA S.A.		Dwg.No. ICI-3608-1401-RKM-C-220-CNT-013	
						Scale 1:1	
						Sheet	