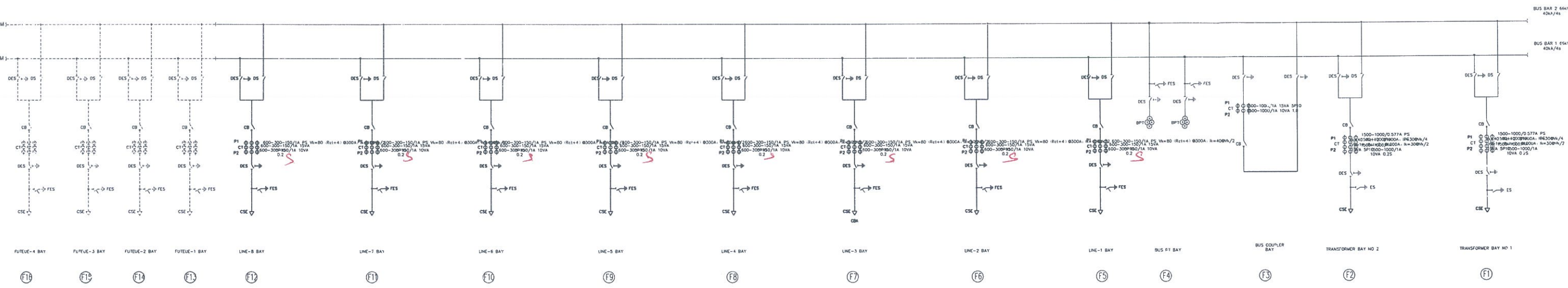


* The drawing shall be strictly as per HVBNU term spec. / GTP / IS / IEC etc.

ref.



SUBJECT TO CORRECTIONS MARKED IN RED INK

1) GIS COMPONENT NAME

NO	SYMBOL	CODE	NAME	REMARK
1	GIS		SFG GAS INSULATED SWITCHGEAR	
2	CB		CIRCUIT BREAKER	
3	DES		DISCONNECTING EARTHING SWITCHGEAR	
4	DS		DISCONNECTOR SWITCHGEAR	
5	ES		EARTHING SWITCHGEAR	
6	FES		FAST EARTHING SWITCHGEAR	
7	CSE		CABLE SEALING END	
8	BEG		BUSHING	
9	CT		CURRENT TRANSFORMER	
10	BPT		POTENTIAL TRANSFORMER (THREE PHASE)	
11	LPT		POTENTIAL TRANSFORMER (THREE PHASE)	
12	LA		LIGHTNING ARRESTOR	
13	LD		LIVE DISPLAY	
	LCP		LOCAL CONTROL PANEL	

2) GIS COMPONENT Rating

NAME	RATED VOLTAGE	RATED CURRENT	SHORT TIME WITHSTANDING CURRENT AND DURATION	REMARK
GIS	145kV	2500A	40kA/4s	
CB	145kV	2500A	40kA/4s	
DES	145kV	2500A	40kA/4s	
DS	145kV	2500A	40kA/4s	
ES	145kV	2500A	40kA/4s	
FES	145kV	2500A	40kA/4s	
CSE	145kV	2500A	40kA/4s	

Rating

1. Rated Voltage:	72.5 kV
2. Rated Frequency:	50 Hz
3. Rated lightning impulse withstand voltage:	650 kV
4. Rated short-time power frequency withstand voltage:	275 kV
5. Rated normal current - Busbar:	3150 A
6. Rated Supply Voltage:	220 V DC

3150
Aux.

Bay	Core	Ratio (I)	Rated Output (VA)	See-point Voltage (V)	Exciting Current (mA)	Class
LINE BAY	CT1	600-300-150/1	-	V=180 (Rat=1) #300A	I=400V/2	PS
	CT2	600-300-150/1	15VA	-	-	SP10
TRANSFORMER BAY	CT1	600-300-150/1	10VA	-	-	0.2s
	CT2	1500-1000/0.577	-	V=140 (Rat=2) #1000A	I=300V/4	PS
BUS COUPLER BAY	CT1	1500-1000/1	-	V=114 (Rat=2) #1000A	I=300V/2	PS
	CT2	1500-1000/1	10VA	-	-	0.2s
BUS COUPLER BAY	CT1	1500-1000/1	10VA	-	-	SP10
	CT2	1500-1000/1	10VA	-	-	1.0

Bay	Ratio	Rated Output (VA)	Class
BUS P1	66/11/0.11	25025	1/3P3P
BUS P2	75/12.5/1.25		

Filing pressure (0.0/0.5/0.5/1.0/1.5) (gauge pressure of 20°C)

Rated	0.6MPa
Alarmed	0.55MPa
Lockout for CB	0.50MPa

LEGEND:
 PROPOSED
 FUTURE

* details shall be completely as per HVBNU term spec

Approval by the contracting officer of the contractor's drawing shall not be held to relieve the contractor of any part of the responsibility of the contract. All the responsibility of the contractor shall be completely as per the contract terms and conditions. The contractor shall be responsible for the accuracy of the drawing and shall be liable for any errors or omissions.

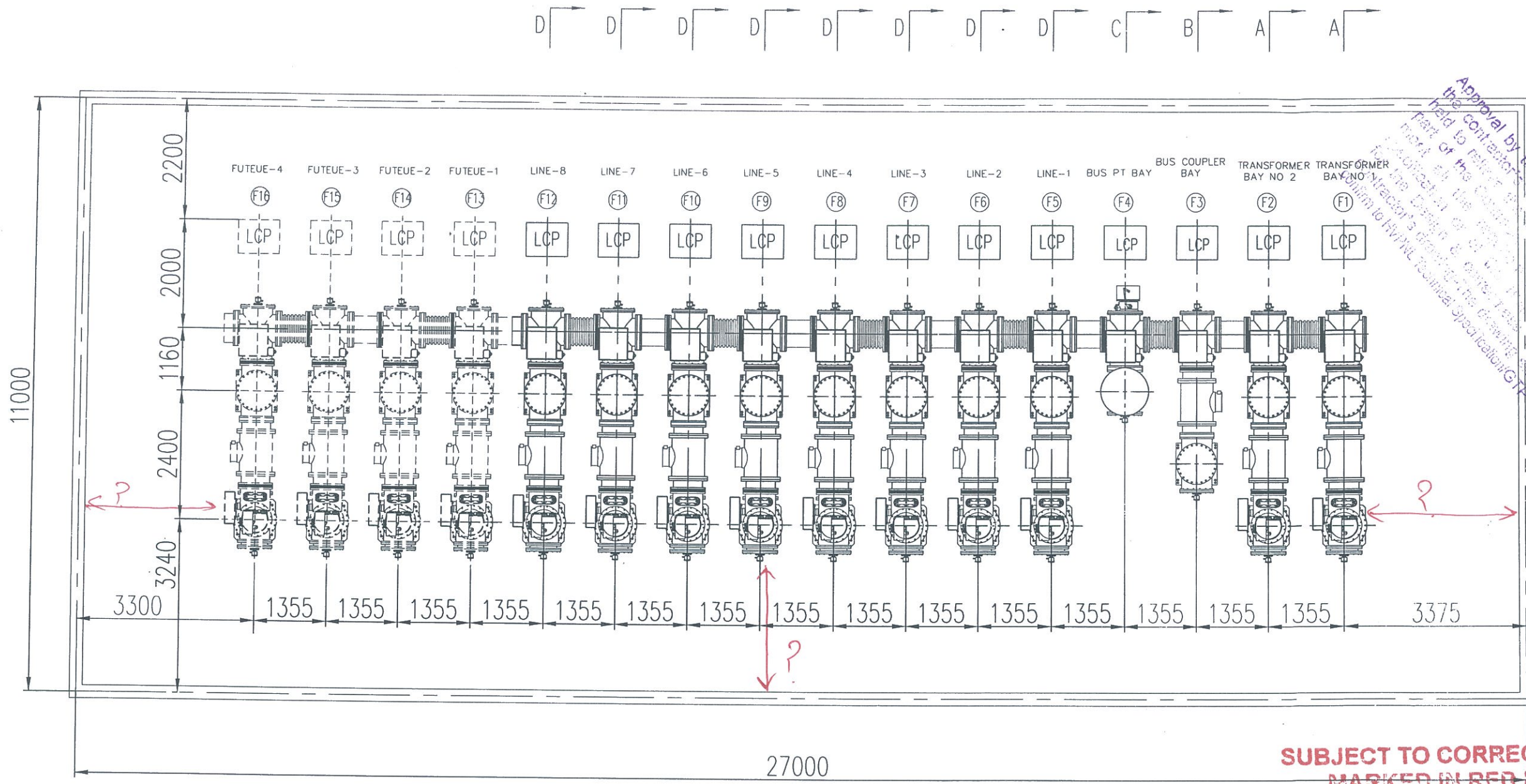
Checked / RECOMMENDED / APPROVED
 AFE/AE (Design) Executive Engineer (Design) / Superintending Engineer (Design) For O&MM
 Haryana Vidyut Prasaran Nigam Ltd.

CONTRACT NO. W.P. 85887/9-28 C
 CLIENT HARYANA VIDYUT PRASARAN NIGAM LTD.
 PROJECT: Construction of 220/66kV GIS Substation Raj-ka-meo Faridabad
 Scale: 1:300
 TITLE: Single Line Diagram for 66kV GIS
 Dwg. No. ICI-3608-1401-RKM-C-66-CNT-001
 SHEETS: Total 5, Current 5

Rev.	Remarks	REV BY	CHK BY

We reserve all rights in this document and in the information contained therein. Reproduction, use or disclosure of any part of this document without express authority is strictly forbidden. © ISOLUX ENGINEERING S.A.

* The dray shell confirm HV cable term Spec / G-78 / 15 / 18 etc



Approval by the contracting officer of the contractor. The contractor shall be held to the contract. The contractor shall be responsible for the accuracy of any information or data provided to the contractor. The contractor shall be responsible for the accuracy of any information or data provided to the contractor. The contractor shall be responsible for the accuracy of any information or data provided to the contractor.

SUBJECT TO CORRECTIONS MARKED IN RED INK

NO	BAY NAME	WEIGHT (APP)
1	TF/LINE	4 T
2	BUS COUPLER	3.5 T
3	BUS PT	2.5 T



* Size of GIS hall shall be sufficient to accommodate GIS equipment & adequate space should be available for servicing of GIS equipment & movement of EOT Crane. * Intermediate chamber shall be provided & shown.

Checked: [Signature] RECOMMENDED: [Signature] APPROVED: [Signature]
 Executive Engineer (Design) Superintending Engineer (Design) For CE/EM
 Haryana Vidyut Prasaran Nigam Ltd.

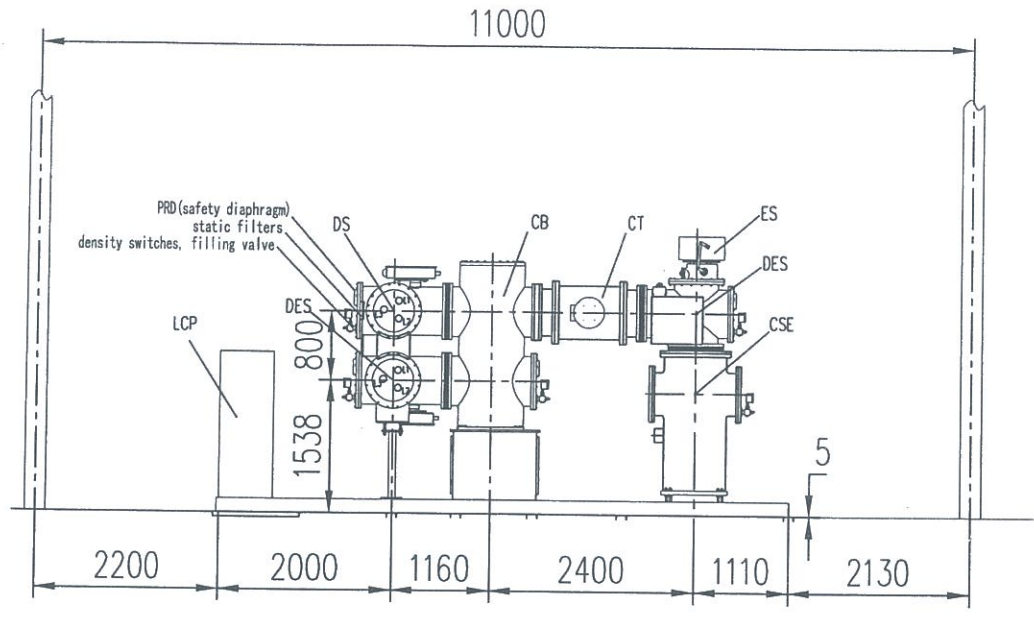
CONTRACT NO: WBS/8087/1-2016
 CLIENT: HARYANA VIDYUT PRASARAN NIGAM LTD.
 PROJECT: Construction of 220/66kV GIS Substation Roj-ka-meo Faridabad
 Scale: 1:40
 Title: Layout Design for 66kV GIS
 Prepared: [Signature] Checked: [Signature] Reviewed: [Signature] Approved: [Signature]
 0 Lipeng Yangyan Yaojunfeng 06/04/2016
 1 Lipeng Yangyan Yaojunfeng 07/05/2016
 Format: A1 Dwg No. ISOLUX INGENIERIA S.A. ICI-3608-1401-RKM-C-66-CNT-002

THE CONTRACTOR SHALL BE RESPONSIBLE FOR THE ACCURACY OF THE INFORMATION CONTAINED HEREIN. REPRODUCTION, USE OR DISCLOSURE TO THIRD PARTIES WITHOUT EXPRESS AUTHORITY IS STRICTLY FORBIDDEN. © ISOLUX CORP

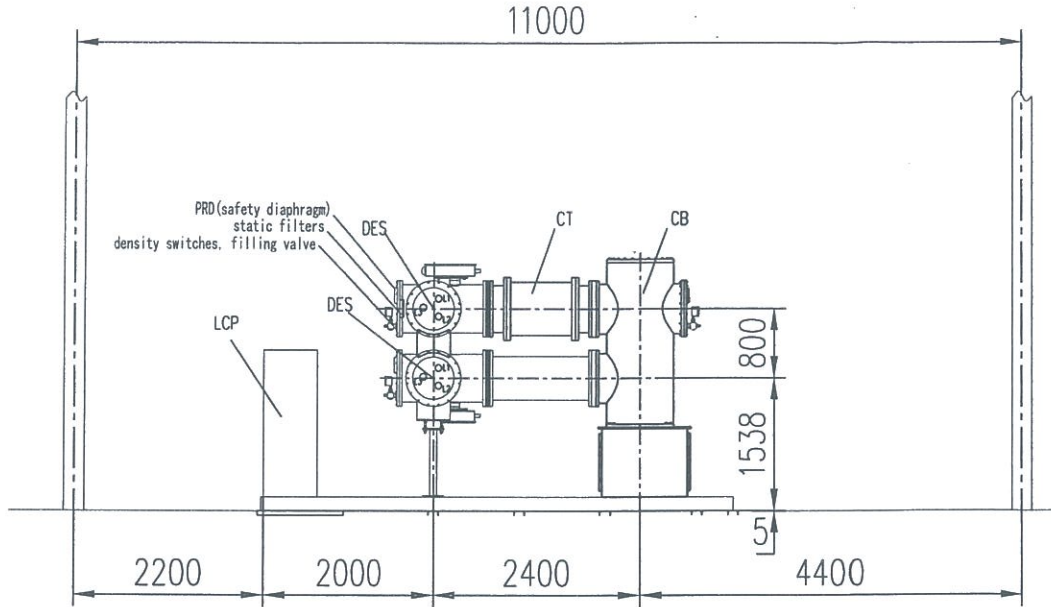
Handwritten note: The drawing shall confirm HVPM tech spec (LTP/LS/1B etc)

GIS COMPONENT NAME			
NO	SYMBOL CODE	NAME	REMARK
1	GIS	SF6 GAS INSULATED SWITCHGEAR	
2	CB	CIRCUIT BREAKER	
3	DES	DISCONNECTING EARTHING SWITCHGEAR	
4	DS	DISCONNECTOR SWITCHGEAR	
5	ES	EARTHING SWITCHGEAR	
6	FES	FAST EARTHING SWITCHGEAR	
7	CSE	CABLE SEALING END	
8	BSG	BUSHING	
9	CT	CURRENT TRANSFORMER	
10	BPT	POTENTIAL TRANSFORMER (THREE PHASE)	
11	LPT	POTENTIAL TRANSFORMER (THREE PHASE)	
12	LA	LIGHTNING ARRESTOR	
13	VD	LIVE DISPLAY	
	LCP	LOCAL CONTROL PANEL	

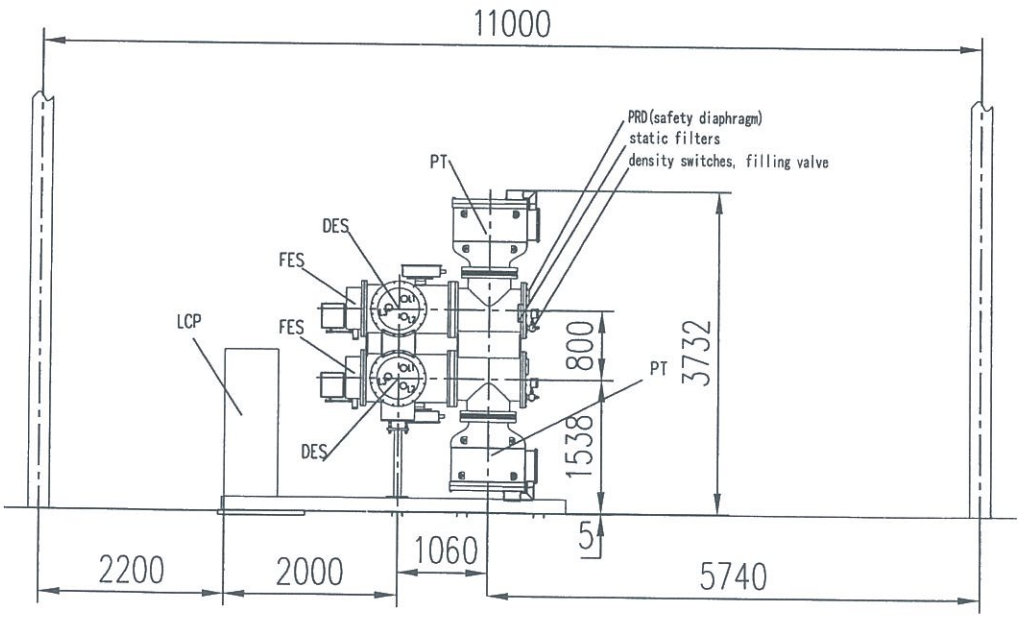
SECTION A-A (F2)



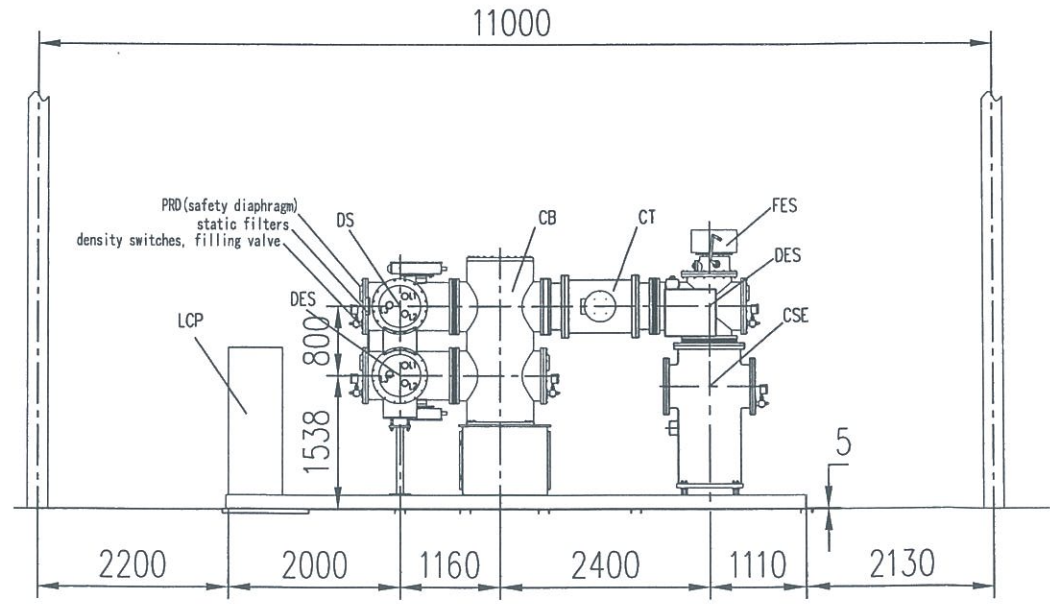
SECTION B-B (F3)



SECTION C-C (F4)



SECTION (F5) (F6) (F7) (F8) (F9) (F10) (F11) (F12)



Handwritten signature

Handwritten note: Intermediate Chamber x Cable entry shall be shown.

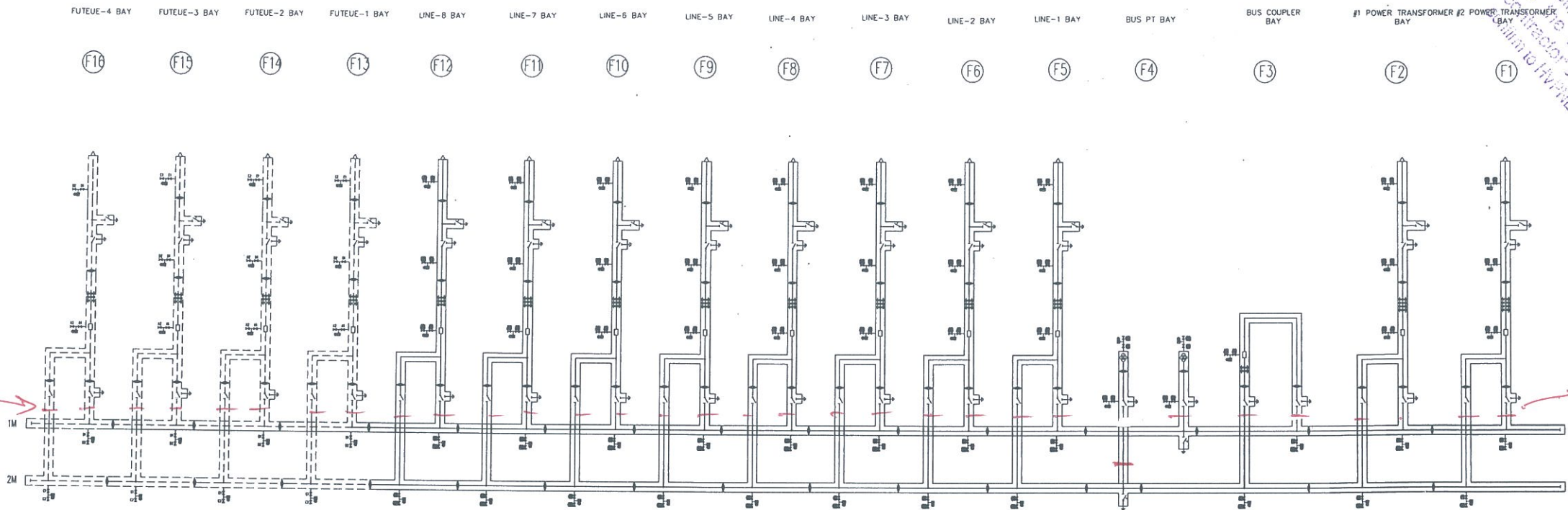
All rights reserved. No part of this document may be reproduced, stored in a retrieval system, or transmitted in any form or by any means, electronic, mechanical, photocopying, recording, or by any information storage and retrieval system, without express authority from ISOLUX CORP.

CONTRACT NO. WSPR 667/K-232 CLIENT: HARYANA VIDYUT PRASARAN NIGAM LTD. PROJECT: Construction of 220/66kV GIS Substation Roj-ka-meo Faridabad		Scale: 1:40 Total Sh.: Sheets:
Prepared: Jiangsu Jingke Smart Electric CO., LTD Checked: Lipeng Reviewed: Yangyan Approved: Yaojunfeng 06/04/2016 07/05/2016		TITLE: Cross Section Design for 66kV GIS
Uwg.No. ICI-3608-1401-RKM-C-66-CNT-003 ISOLUX INGENIERIA S.A.		Format: A1

The drawing shall conform HVGRUL Tech Spec / CTR / IS / IEC etc.

SUBJECT TO REVISIONS
MARKED IN RED INK

Approval by the contracting officer of the contractor's drawing shall not be held to mean that the contractor is held to meet all the conditions of the specification or of the contract or to conform to the Design & construction of the drawing. The drawing shall conform to HVGRUL Technical Specification/GTP



Gas density meters for all Chambers shall be provided.

Belows of bus Isolator barrier shall be shown

Gas barrier & density meters for all feeder & PT bays shall be shown, & intermediate Chamber shall be shown.

Legend

Mark	Description
	stop valve (NC)
	stop valve (NO)
	gas gauge (with gas density relay)
	isolator (solid)
	circuit breaker
	Disconnecter with earthing switch (3-position)
	earthing switch
	fast earthing switch
	surge arrester
	voltage transformer (3-phase)
	voltage transformer (phase A)
	current transformer
	cable end
	live display (3-phase)

1) GIS COMPONENT NAME

NO	SYMBOL	CODE	NAME	REMARK
1		GIS	SF6 GAS INSULATED SWITCHGEAR	
2		CB	CIRCUIT BREAKER	
3		DES	DISCONNECTING EARTHING SWITCHGEAR	
4		DS	DISCONNECTOR SWITCHGEAR	
5		ES	EARTHING SWITCHGEAR	
6		FES	FAST EARTHING SWITCHGEAR	
7		CSE	CABLE SEALING END	
8		BSG	BUSHING	
9		CT	CURRENT TRANSFORMER	
10		BPT	POTENTIAL TRANSFORMER (THREE PHASE)	
11		LPT	POTENTIAL TRANSFORMER (THREE PHASE)	
12		LA	LIGHTNING ARRESTOR	
13		VD	LIVE DISPLAY	
		LCP	LOCAL CONTROL PANEL	

2) GIS COMPONENT Rating

NAME	RATED VOLTAGE	RATED CURRENT	RATED SHORT TIME WITHSTAND CURRENT AND DURATION	REMARK
GIS	145kV	2500A	40kA/4s	
CB	145kV	2500A	40kA/4s	
DES	145kV	2500A	40kA/4s	
DS	145kV	2500A	40kA/4s	
ES	145kV	2500A	40kA/4s	
FES	145kV	2500A	40kA/4s	
CSE	145kV	2500A	40kA/4s	

Current Transformer (Ring Type)						
Bay	Core	Ratio (A)	Rated Output (VA)	See-point Voltage (V)	Exciting Current (mA)	Class
LINE BAY	CT1:	600-300-150/1	-	Vk=80 (Ret+4) #300A; Ik=40#Vk/2	-	PS
	CT2:	600-300-150/1	15VA	-	-	SP10
	CT3:	600-300-150/1	10VA	-	-	0.2s
TRANSFORMER BAY	CT1:	1500-1000/0.577	-	Vk=40 (Ret+2) #1000A; Ik=30#Vk/4	-	PS
	CT2:	1500-1000/1	-	Vk=14 (Ret+2) #1000A; Ik=30#Vk/2	-	PS
	CT3:	1500-1000/1	15VA	-	-	SP10
BUS COUPLER BAY	CT1:	1500-1000/1	10VA	-	-	0.2s
	CT2:	1500-1000/1	10VA	-	-	SP10

Potential Transformer Data			
Bay	Ratio	Rated Output (VA)	Class
BUS PT	66/11/0.11/7.5/7.5/7.5	250/25	1/3P/3P

Filling pressure (CB/DES/DS/ES/FES) (gauge pressure @ 20°C)	Rated	Class
	0.6MPa	SP10
	Alarmed	0.55MPa
	Lockout for CB	0.50MPa

3150A
Separate Cover box with seal for metering core for CT shall be provide as per tech spec

1st for all CTs shall be shown

Checked: [Signature] RECOMMENDED: [Signature] APPROVED: [Signature]
Executive Engineer (Design) / Subordinating Engineer (Design) For O&M
Haryana Vidut Parsaran Nigam Ltd.

LEGEND:
- PROPOSED
- FUTURE
- BASIN-TYPE INSULATOR (SOLID/GAS TIGHT)
- SF6 DENSITY RELAY

CONTRACT NO: WSP8T8687/C-23C
CLIENT: HARYANA VIDYUT PRASARAN NIGAM LTD.

Jiangsu Jingke Smart Electric CO., LTD				PROJECT: Construction of 220/66kV GIS Substation Roj-ka-meo Faridabad		Scale: 1:200	
Prepared:	Checked:	Reviewed:	Approved:	06/04/20	07/05/20	6th Gas Chamber Distribution for 66kV GIS	
0 Lipeng	Yangyan	Yajunleng				Total Sh.	
1 Lipeng	Yangyan	Yajunleng				Sheets	
ISOLUX INGENIERIA S.A.				Dwg. No. ICI-3608-1401-RKM-C-66-CNT-004			

I warrant that the information contained in this document is true and correct to the best of my knowledge and belief and that I am not aware of any circumstances which would render the information contained in this document false or misleading in any material particular.

the dry steel cabinet HVMC been spec / G79/15 / 100 etc

the

Technical requirement:

1. Pre-buried steel channel shall be 5mm higher than the ground. the level error of the foundation shall be no more than 2mm and level error of steel channel erection surface no more than 2mm;
2. Earthing resistance of earthing network is less than 0.5ohm;
3. Bearing load of surface is 10kN per square meter;
4. Each pre-buried steel channel shall be connected to the main earthing grid solidly;
5. Earthing point information:

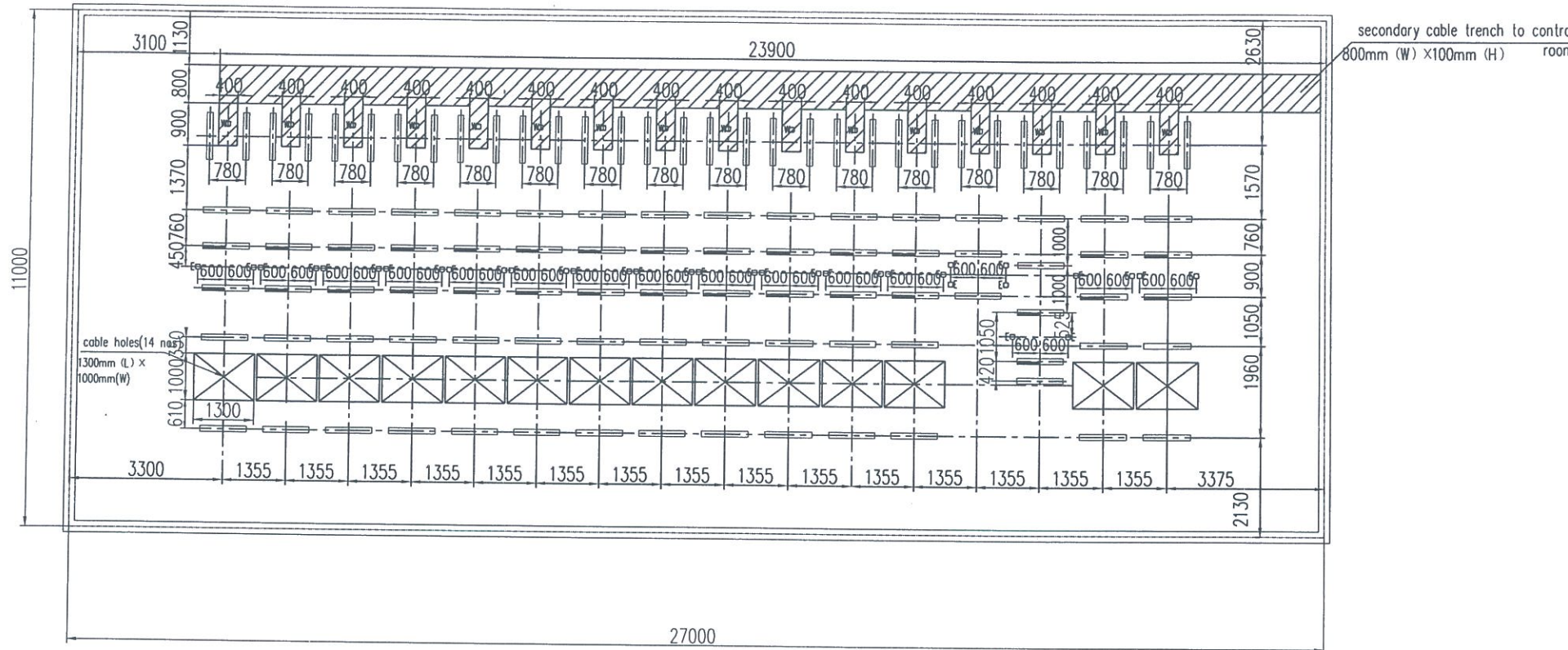
code	note	Qty	Application
E	primary earthing point	34	earthing of primary equipment
W	secondary earthing point	16	LCP is connected to secondary earthing grid

6. Door size: width is 3000mm, height is 4000mm;
7. Load of GIS lifting platform shall be more than 10 tons;
8. Shadow in the drawing shall be secondary cable trench;

9. Pre-buried steel channel information:

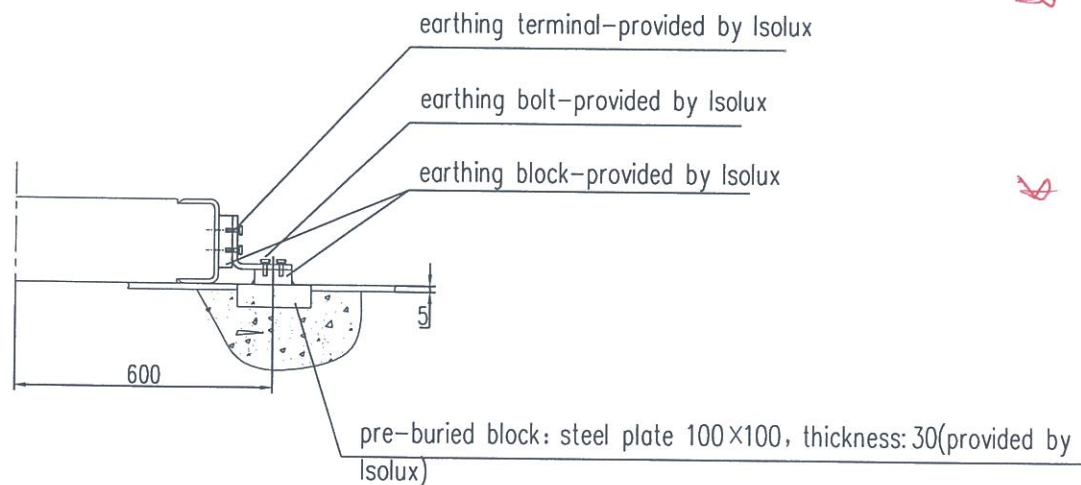
steel channel	size	length	Qty.	Load
	126 X 53 X 5.5	1m	30	Max.static load: 10kN Max.downward dynamic load: 10kN Max.upward dynamic load: 5kN;
	126 X 53 X 5.5	1m	80	Max.static load: 10kN

11. Ground anchor shall be set at a height of: 200mm above ground; load: 5000kg.
12. Position of ground anchor shall be decided by the arrangement of beams.



Lower Cable trench shall be shown

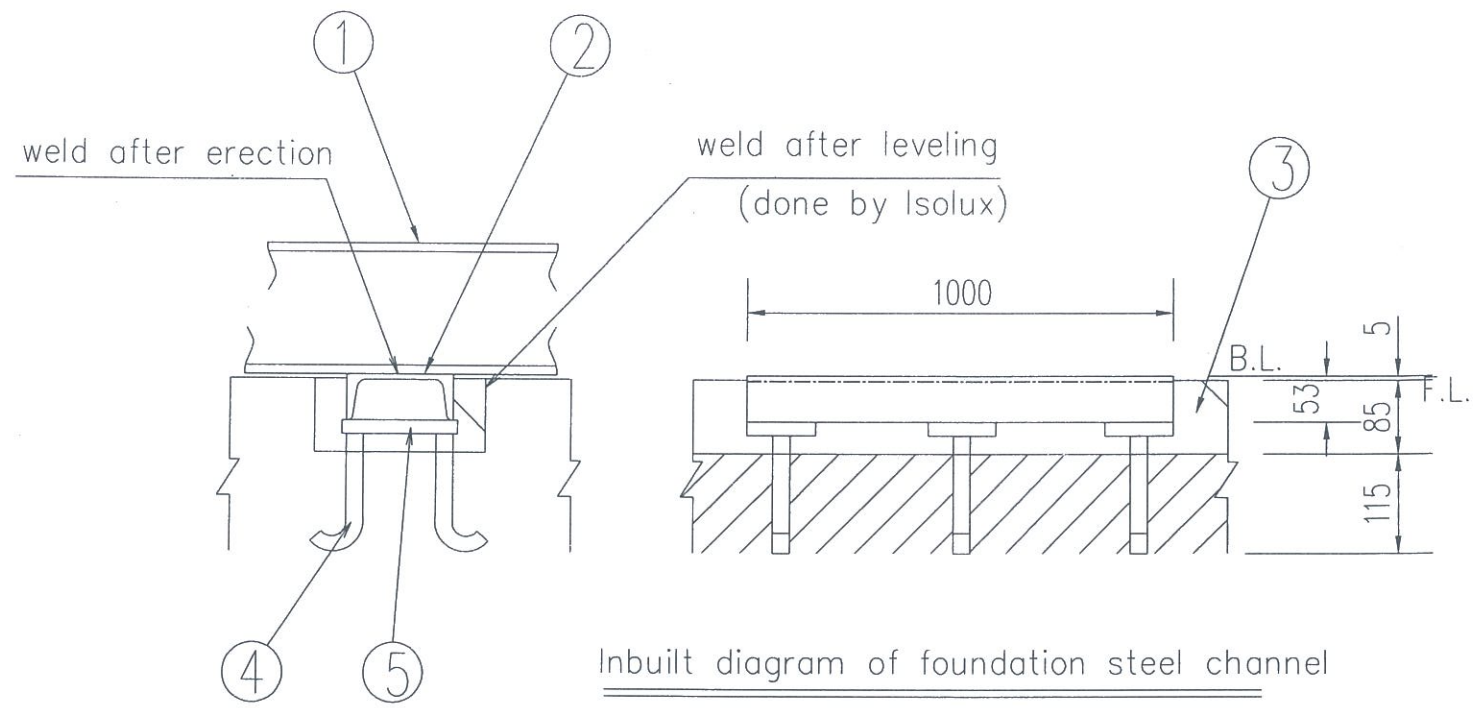
Max. height & Capacity of EOT Crane shall be shown



Earthing diagram of GIS primary equipment

We reserve all rights in this document and in the information contained herein. No part of this document may be reproduced, stored in a retrieval system, or transmitted in any form or by any means, without express authority in writing from ISOLUX CORP.

CONTRACT NO.			
CLIENT: HARYANA VIDYUT PRASARAN NIGAM LTD.			
PROJECT: Construction of 220/66kV GIS Substation Roj-ka-meo Faridabad			
Prepared: a Lipeng		Checked: Yongyan	
Reviewed: Yaojunfeng		Approved: 06/04/2018	
Jiangsu Jingke Smart Electric CO., LTD			
ISOLUX INGENIERIA S.A.			
Format: A1		Dwg. No. ICI-3608-1401-RKM-C-66-CNT-005	
Scale: 1:60		Total: 5 Sheets	



Inbuilt diagram of foundation steel channel

Scope

SN	Item	Provided by GIS maker	Provided by Isolux
1	GIS Base	○	
2	foundation steel channel (126mmx53mmx5.5mm)		○
3	second		○
4	20 round steel Q235A		○
5	16 steel plate Q235A(30mm×136mm×16mm)		○

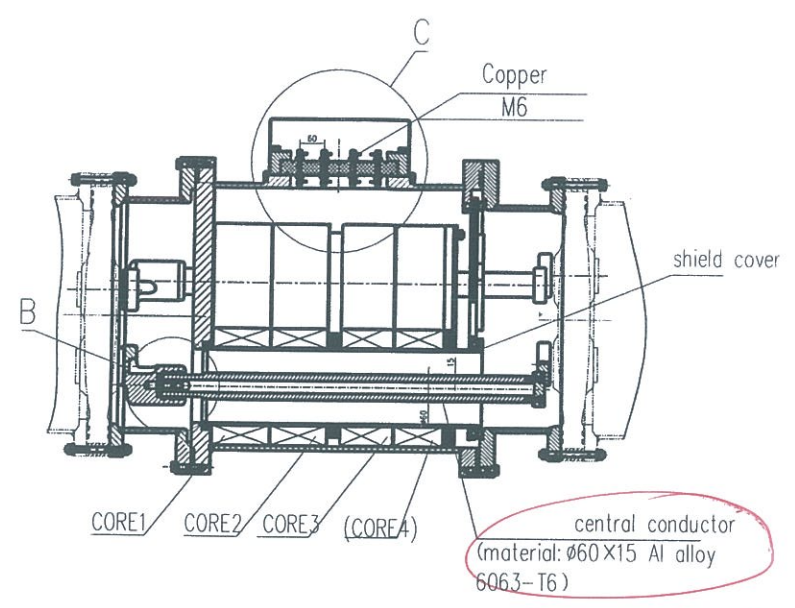
Note :

1. Level error of each steel channel must be less than 2mm.
2. Level error of all steel channels must be less than 2mm.
3. F.L.refers to floor. B.L.refers to base level.

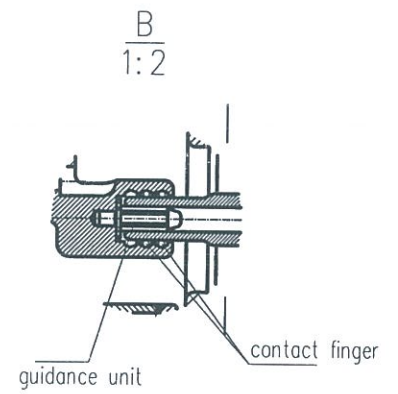
THE REPRODUCTION OF THIS DOCUMENT OR ANY PART THEREOF WITHOUT THE WRITTEN PERMISSION OF ISOLUX CORP. IS STRICTLY FORBIDDEN.

CONTRACT NO.			
CLIENT		HARYANA VIDYUT PRASARAN NIGAM LTD.	
PROJECT			
Construction of 220/66kV GIS Substation Roj-ka-meo Faridabad		Scale 1:4	
TITLE			
Foundation Sketch for 66kV GIS			
Dwg. No.			
ICI-3608-1401-RKM-C-66-CNT-006			
SHEETS			
ISOLUX INGENIERIA S.A.			
Prepared:	Checked:	Reviewed:	Approved:
0 Lipeng	Yangyan	Yaojanfeng	06/04/2016
Rev.	Remarks	REV. BY	CHK. BY

dry shell Caprim HVPN teen spec / GTP / IS / etc etc.

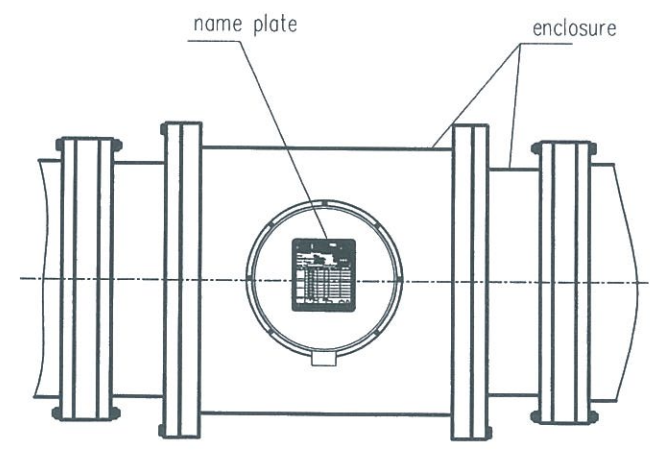


Bay	Core	Ratio ($\frac{A}{A}$)	Rated Output (VA)	nee-point Voltage (V); Exciting Current (mA)	Class
LINE BAY	CT1:	600-300-150/1	-	Vk=80 (Rct+4) @300A; Ik=40@Vk/2	PS
	CT2:	600-300-150/1	15VA	-	5P10
	CT3:	600-300-150/1	10VA	-	0.2s
TRANSFORMER BAY	CT1:	1500-1000/0.577	-	Vk=40 (Rct+2) @1000A; Ik=30@Vk/4	PS
	CT2:	1500-1000/1	-	Vk=14 (Rct+2) @1000A; Ik=30@Vk/2	PS
	CT3:	1500-1000/1	15VA	-	5P10
	CT4:	1500-1000/1	10VA	-	0.2s
BUS COUPLER BAY	CT1:	1500-1000/1	15VA	-	5P10
	CT2:	1500-1000/1	10VA	-	1.0

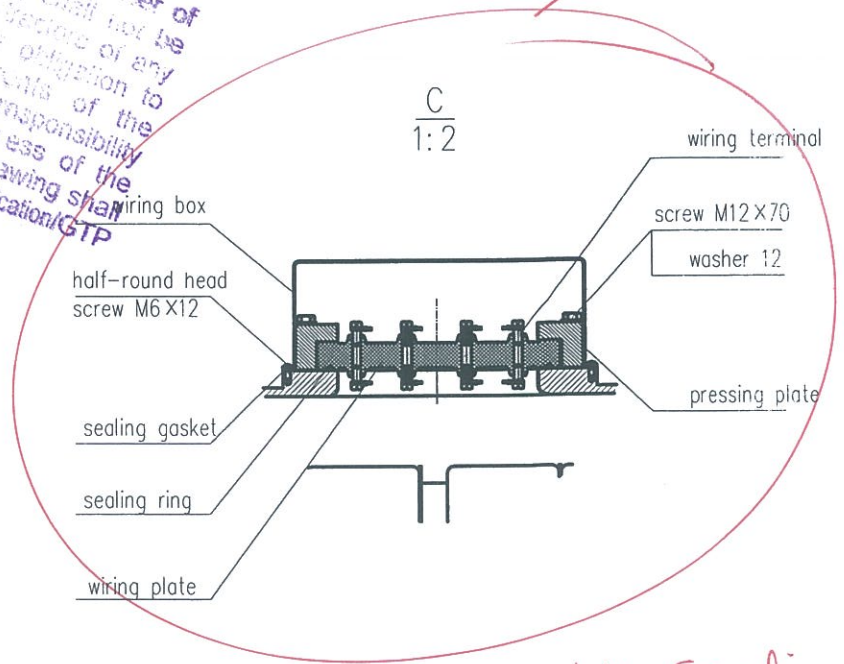


* shall be accoridy to 3150A current

* CTs for all phases shall be shown



Approval by the contracting officer of the contractor's drawing shall not be held to relieve the contractor of any part of the Contractor's obligation to meet all the requirements of the specification or of the responsibility for the Design & correctness of the contractor's drawing. The drawing shall confirm to HVPNL Technical Specification/GTP



1st fraal
Co shall be shown

SUBJECT TO CORRECTIONS
MARKED IN RED INK

Seprate box with sealys shall be provided for metery Core as per teen spec.

Checked: RECOMMENDED: APPROVED:

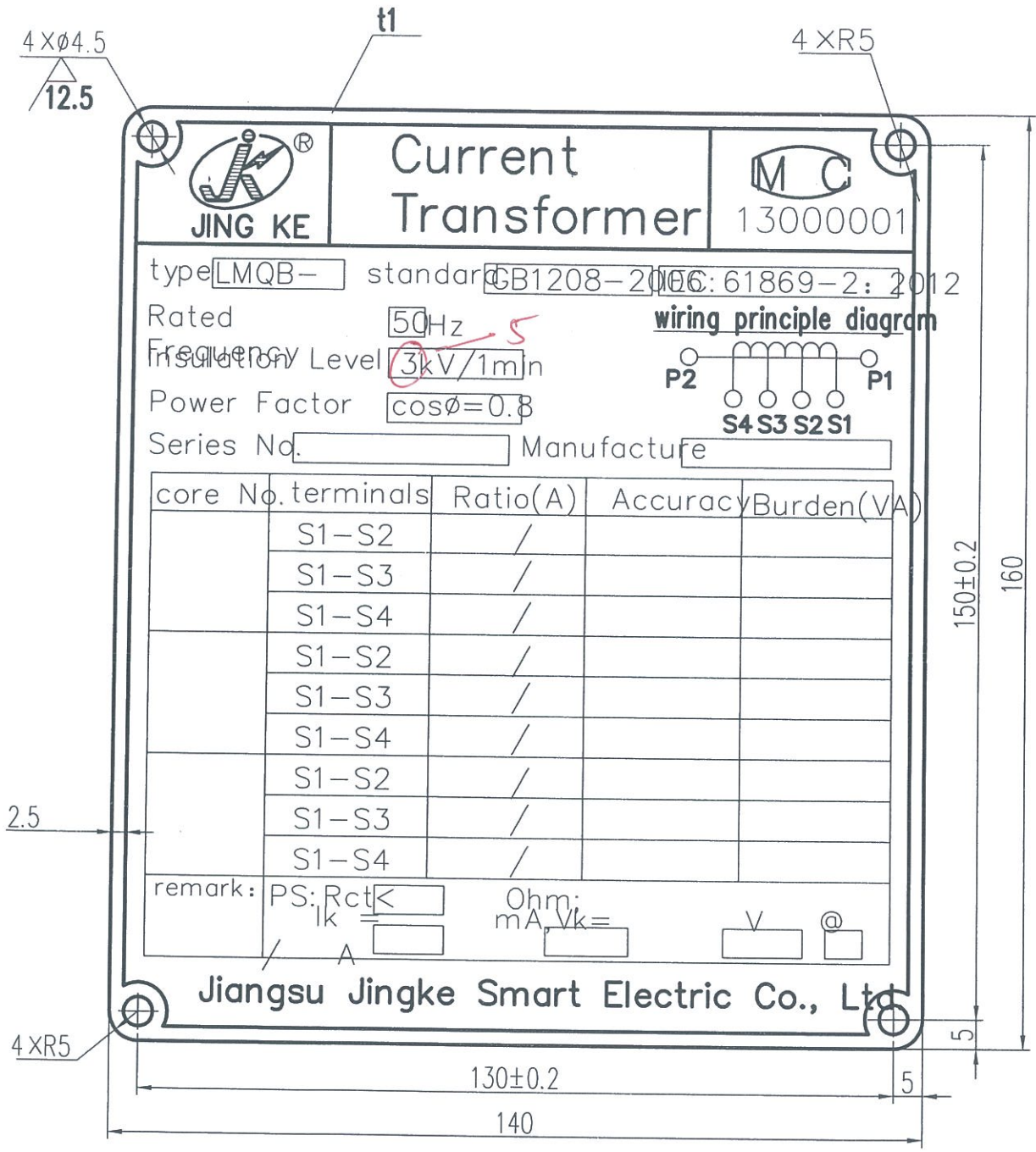
AFE/AE Executive Engineer Superintending Engineer (Design)
(Design) (Design) For CEAMM

Haryana Vidyut Parsaran Nigam Ltd.

CONTRACT NO.				CLIENT	
HARYANA VIDYUT PRASARAN NIGAM LTD.				PROJECT	
Construction of 220/66kV GIS Substation Roj-ka-meo Foridabad				Scale 1:8	
Prepared: Checked: Reviewed: Approved:				TITLE	
0	Lipeng	Yangyan	Yaojunlang	16/04/2016	CT Cross Sectional View for 66kV GS
1	Lipeng	Yangyan	Yaojunlang	07/05/2016	Format: A1
ISOLUX INGENIERIA S.A.				Dwg.No.	
ICI-3608-1401-RKM-C-66-CNT-007				Sheets	

without express authority is strictly forbidden. © ISOLUX CORP

raj



1. Nameplate font, size, depth:
 - Superscript uses bold type with height of 3.5mm, notch depth 0.1-0.2
 - Subscript uses Song font with height of 205mm, notch depth 0.1-0.2
 - Middle script uses bold type with height of 2.1mm; notch depth 0.1-0.2
2. The material of nameplate:
 - Stainless steel mirror-wise plate 304, thickness: 0.5

→ Complete details shall be filled in name plate

Checked | RECOMMENDED | APPROVED

AFE/AE | Executive Engineer | Superintending Engineer (Design)

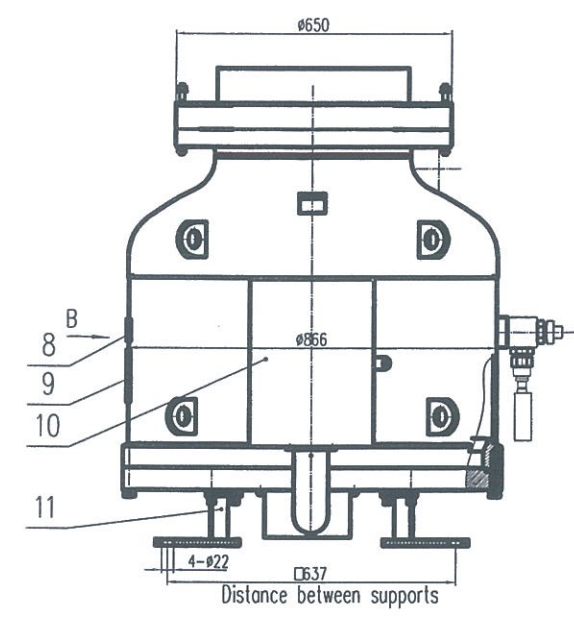
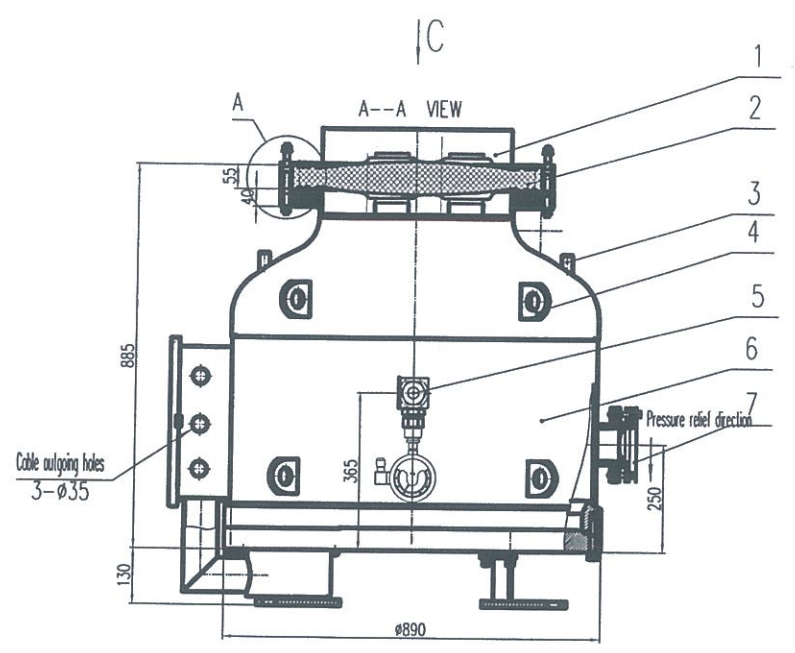
(Design) | (Design) | For CE/EM

Haryana Vidyut Parsaran Nigam Ltd.

We reserve all rights on this document and the information contained here in. Reproduction, use or disclosure to third parties without express authority is strictly forbidden. © ISOLUX CORP

CONTRACT NO.			
CLIENT: HARYANA VIDYUT PRASARAN NIGAM LTD.			
PROJECT: Construction of 220/66kV GIS Substation Roj-ka-meo Faridabad			
Prepared: Lipeng		Checked: Yangyan	
Reviewed: Yaojunfeng		Approved: 16/04/2016	
TITLE: Nameplate for CT for 66kV GIS			
Scale: 2:1			
Format: A1			
Dwg.No. ICI-3608-1401-RKM-C-66-CNT-008			
ISOLUX INGENIERIA S.A.			
Rev	Remarks	REV.BY	CHK.BY

ref.



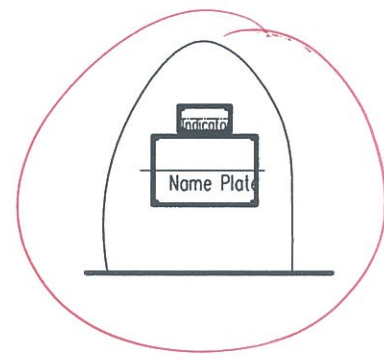
1. Protection cover of insulator
2. Connecting assembly
3. Earthing block (2 pcs)
4. Lifting points (8 pcs)
5. Valve assembly
6. PT enclosure
7. Pressure relief assembly
8. Indicator ?
9. Name plate
10. Termination box
11. Supports

This is a live tank installation

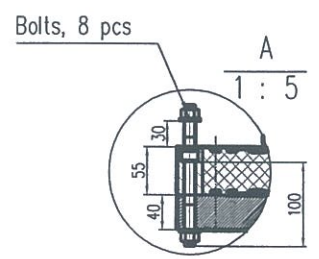
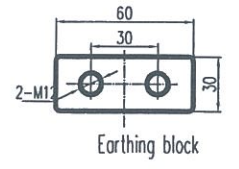
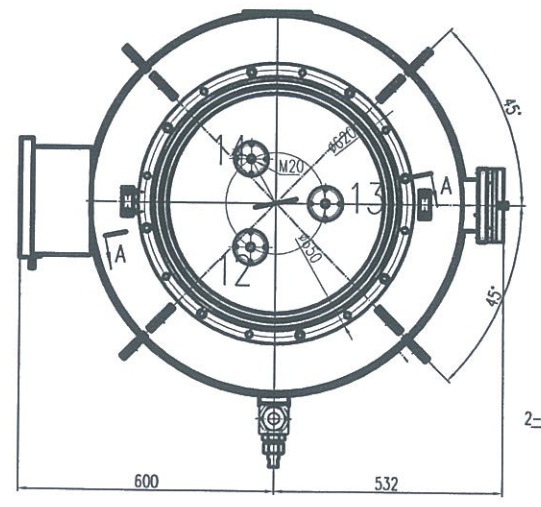
Assembly position and phase sequence of insulator

Termination Box Insulator Position	Conductor phase sequence	12	13	14
	A			
	B			
	C			
	d			
	e			
f				

B View

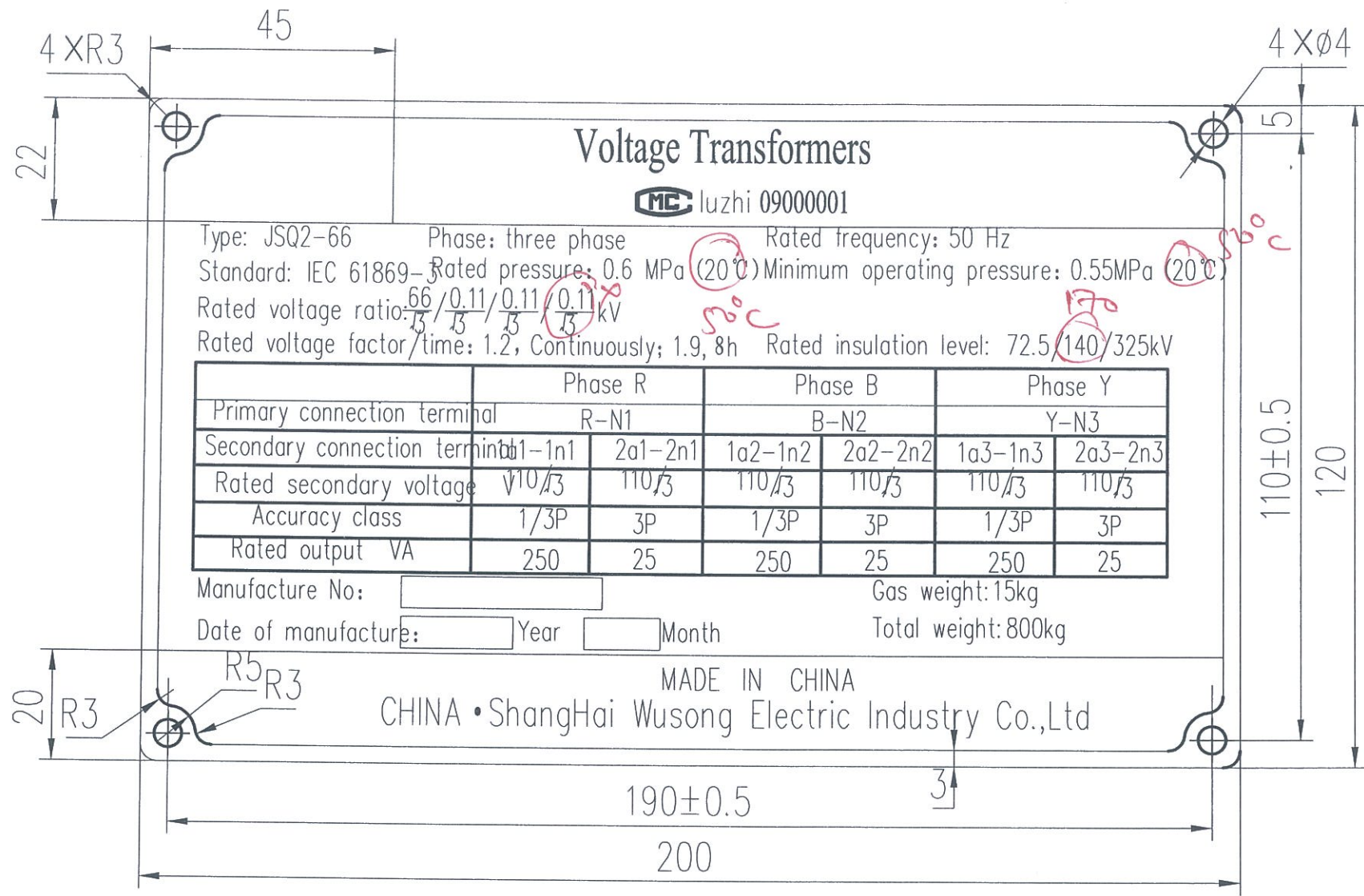


C View



THIS DRAWING IS THE PROPERTY OF ISOLUX INGENIERIA S.A. ANY REPRODUCTION OR DISCLOSURE TO THIRD PARTIES WITHOUT EXPRESS AUTHORITY IS STRICTLY FORBIDDEN. © ISOLUX CORP.

CONTRACT NO.				CLIENT: HARYANA VIDYUT PRASARAN NIGAM LTD.	
PROJECT: Construction of 220/66kV GIS Substation Roj-ka-meo Faridabad				Scale: 1:8	
Prepared: Lipeng				Checked: Yangyan	
Reviewed: Yoojineng				Approved: 16/04/2016	
TITLE: PT Cross Sectional View for 66kV GIS				Total Sh.:	
Dwg.No. ICI-3608-1401-RKM-C-66-CNT-009				Sheets:	
ISOLUX INGENIERIA S.A.				Format: A1	



Note:

1. Material: Stainless steel, mirror plate;
2. Thickness: 0.7mm;
3. Printing method: Electro-corrosion for first printing;
Electric engraving for second printing;
4. Contents, texts, graphics, symbols, tables: 0.3 mm cossosion
5. Color: Black amnio-electrostatic enamel paint;
The rest is polished without painting.
6. Font fact & size: Arial 5

THE REVISIONS TO THIS DRAWING ARE THE PROPERTY OF ISOLUX CORP. ANY REPRODUCTION OR DISSEMINATION OF THIS DRAWING WITHOUT EXPRESS AUTHORITY IS STRICTLY FORBIDDEN. © ISOLUX CORP.

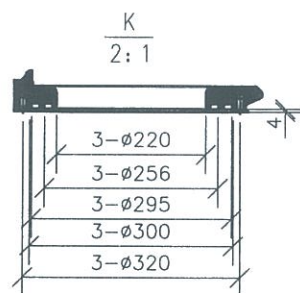
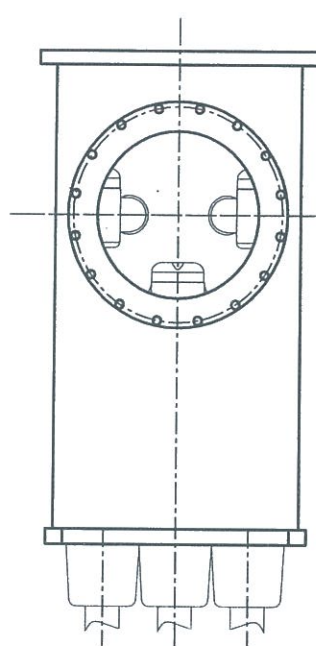
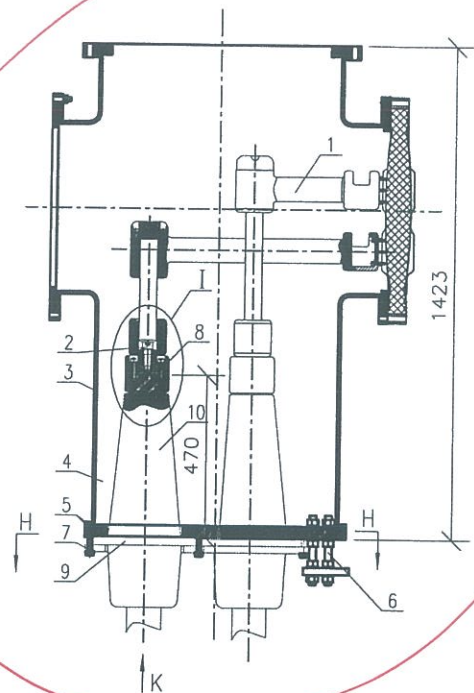
CONTRACT NO.			
CLIENT: HARYANA VIDYUT PRASARAN NIGAM LTD.			
PROJECT: Construction of 220/66kV GIS Substation Roj-ka-meo Faridabad			
Prepared: Lipeng		Checked: Yanyan	
Reviewed: Yaojunfeng		Approved: 16/04/2016	
TITLE: Nameplate for PT for 66kV GIS			
Format: A1			
Dwg.No. ICI-3608-1401-RKM-C-66-CNT-010			
Rev.	Remarks	REV.BY	CHK.BY

The dry shell conform HVPNL Tech spec / GTP / IS / IEC etc.

S.N.	Name Of Components	Supplide by GIS Make	Supplide by Cable Make	Specification,quantity
1	Conductor $\phi 60$	▲		3- $\phi 70$ Aluminium alloy,suffcient
2	Bolts&washers	▲		3-M20 X50 Parkrising bolts
3	Enclosure	▲		Aluminium alloy,1
4	SF ₆ Gas	▲		30kg
5	Sealing Gasket	▲		EPDM RUBber 295 X $\phi 10$ & 265 X $\phi 10.3$
6	Bolts for Connecting Enclosure&Base	▲		M20 X230-Galvanizing,8
7	Bolts for Cable Termination	▲		M12 X60-Galvanizing,36
8	Bolts&washers	▲		12-M10 X50 Parkrising bolts
9	Grading ring for Cable Termination		●	
10	Cable Termination		●	

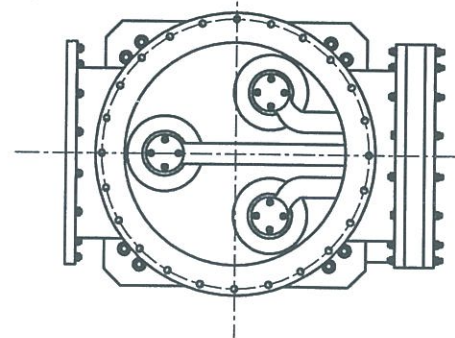
Approval by the contracting officer of the contractor's drawing shall not be held to relieve the contractor of any part of the Contractor's obligation to meet all the requirements of the specification or of the responsibility for the Design & correctness of the contractor's drawing-The drawing shall confirm to HVPNL Technical Specification/GTP

Shell be as per Tech spec / GTP IS / IEC

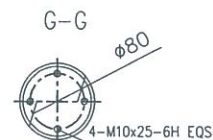
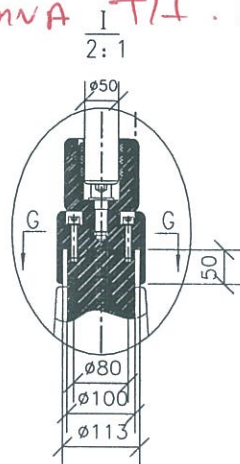
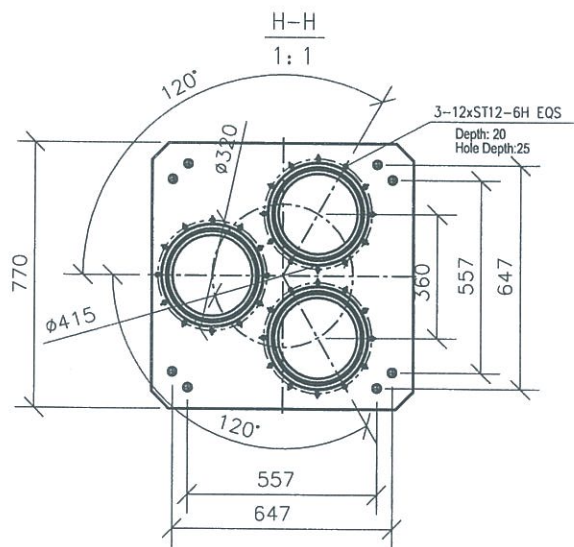


Rated voltage	145kVrms
Rated Frequency	50Hz
Rated lightning impulse withstand voltage	650kVp
Rated Power Freq withstand voltage	275kVrms
Rated current busbar	2500A ^{3000A}
Rated short-time withstand current	40kA/4s
Rated short-circuit break current	40kA/4s
Rated voltage for conrd circuits	220V DC
Motor voltage circuit breaker	220V DC
Motor voltage isdator/earthing switch	220V DC
Heater voltage	220V AC
Rated peak withstand current	100kA
Rated Power Freq withstand voltage across open isdator	15kV
Rated lightning impulse withstand voltage across open isdator	50kV
Permissible partial discharge intensity at 1.1Un	≤5pc
Acceler ation due to Gravity	ZONE-V
Filling pressure (as gauge pressure at 20°C)	Rated 0.6MPa Alarmed 0.55MPa

Cable termination & Sealing end shall be suitable for 2 runs per phase & 1c x 1000 sqmm XLPE Cable for I/C of 160MVA T/F. as per Contract



TOP VIEW



Shell be as per HVPNL Tech spec / GTP

Applied standard: IEC 60859

Checked RECOMMENDED APPROVED
 AFE/AE Executive Engineer Superintending Engineer (Design)
 (Design) (Design) For GE/AMM
 Haryana Vidyut Prasaran Nigam Ltd.

**SUBJECT TO CORRECTIONS
 MARKED IN RED INK**

CONTRACT NO. **WB59688-8716-23C**
 CLIENT HARYANA VIDYUT PRASARAN NIGAM LTD.

Jiangsu Jingke Smart Electric CO., LTD

PROJECT Construction of 220/66kV GIS Substation Roj-ko-meo Faridabad

Prepared: Checked: Reviewed: Approved:
 0 Lipeng Yangyan Yaojinlong 16/04/2016

TITLE Cable end Sealing Drawing for 66kv GIS

Format: A1

Sheet No. ICI-3608-1401-RKM-C-66-CNT-011

ISOLUX INGENIERIA S.A.

Scale 1:10

The drawing shall be as per HVVPM Tech Spec / G-78/15/1BL etc

SF6 Gas Insulated Metal Enclosed Switchgear

Type	ZF40-145 (L)/T2500-40	Applicable standards	IEC 62271-203/GB 7674-2008
Rated voltage	145 kV	Rated frequency	50 Hz
Rated current	2500 A	Rated short circuit breaking section	40 kA
Rated short time withstand current and duration	40 kA/4s	Rated short circuit making current(peak)	100 kA
Rated power frequency 1min withstand voltage(value)	Phase to earth 275 kV	Rated lightning impulse withstand voltage(peak)	Phase to earth 650 kV
	Cross section 315 kV		Cross section 750 kV
SF6 gas pressure (20c)	Rated pressure 0.6 MPa	Alarm pressure 0.55 MPa	Locking pressure 0.5 MPa
Manufacturing NO.		Manufacturing date	



Jiangsu Jingke Smart Electric Co., Ltd.

Should be as per IS/IEC

Approval by the contracting officer of the contractor's drawing shall not be held to relieve the contractor of any part of the Contractor's obligation to meet all the requirements of the specification or of the requirements of the Design & correct the Contractor's drawing-The drawing shall conform to HVVPM Technical Specifications GTP

SUBJECT TO CORRECTIONS MARKED IN RED INK

Checked: [Signature] Executive Engineer (Design)
 RECOMMENDED: [Signature] Executive Engineer (Design)
 APPROVED: [Signature] Superintending Engineer (Design) For GEMM
 Haryana Vidyut Prasaran Nigam Ltd.

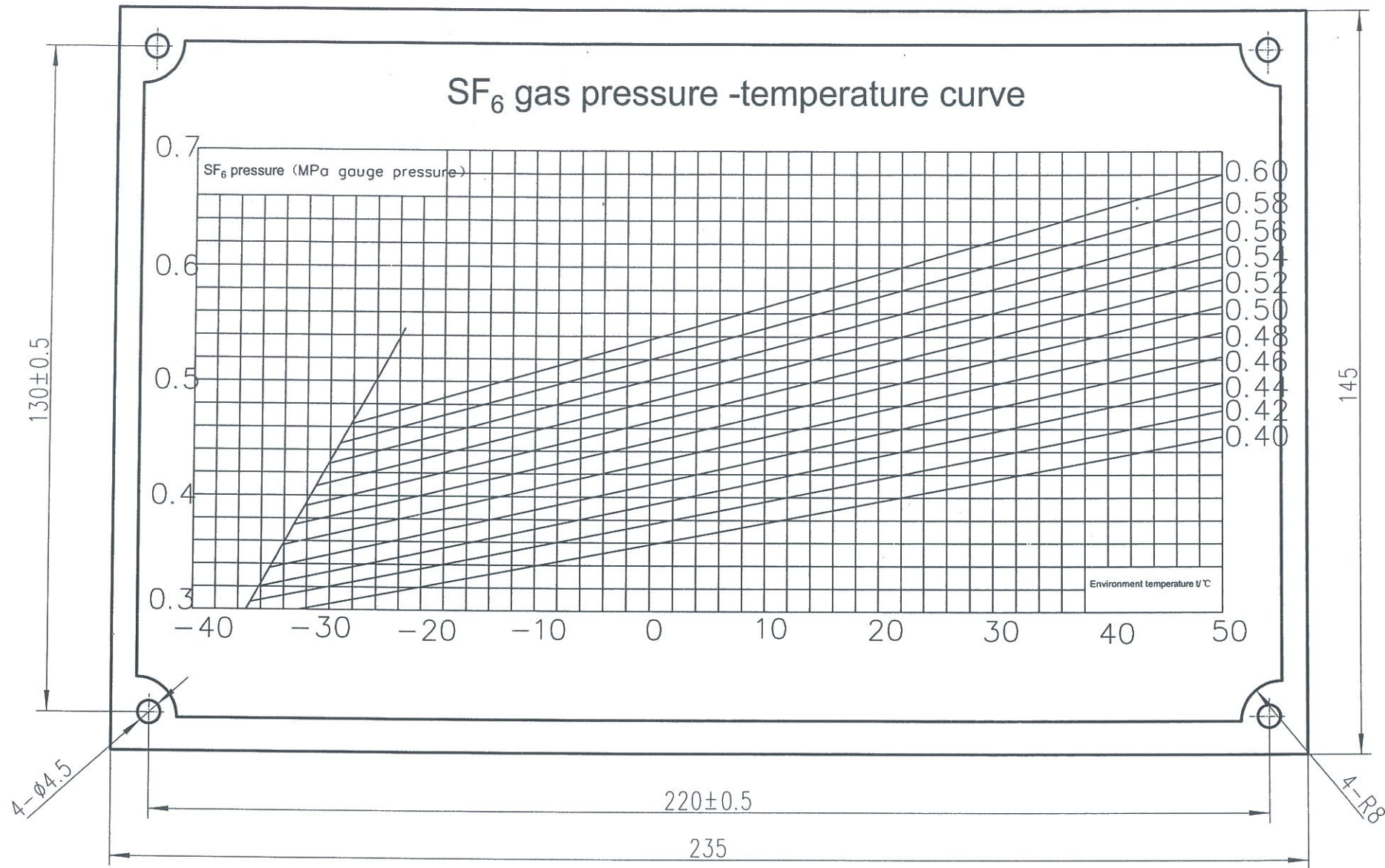
Note:

1. Material: Stainless steel, mirror plate;
2. Thickness: 0.7mm;
3. Printing method: Electro-corrosion for first printing; Electric engraving for second printing;

4. Contents, texts, graphics, symbols, tables: 0.3 mm cossosion
5. Color: Black amnio-electrostatic enamel paint; The rest is polished without painting.
6. Font fact & size: Arial 5

We reserve all rights in this document and any information contained here in reproduction or distribution to third parties without express authority is strictly forbidden. © ISOLUX CORP

CONTRACT NO. WIS-5867/G-23C CLIENT: HARYANA VIDYUT PRASARAN NIGAM LTD. PROJECT: Construction of 220/66kV GIS Substation Roj-ka-meo Faridabad			
Prepared: Lipeng Checked: Yanyan Reviewed: Yaojunfeng Approved: 07/05/2016	Jiangsu Jingke Smart Electric CO., LTD	TITLE: Nameplate for 66kV GIS	Scale: 2:1 Total Sh.
ISOLUX INGENIERIA S.A.		Dwg. No. ICI-3608-1401-RKM-C-66-CNT-012	Sheets



Handwritten signature

Note:

1. Material: Stainless steel, mirror plate;
2. Thickness: 0.7mm;
3. Printing method: Electro-corrosion for first printing;
Electric engraving for second printing;
4. Contents, texts, graphics, symbols, tables: 0.3 mm cossosion
5. Color: Black amnio-electrostatic enamel paint;
The rest is polished without painting.
6. Font fact & size: Arial 5

We reserve all rights in this document and in the information contained herein. No part of this document may be reproduced, stored in a retrieval system, or transmitted in any form or by any means, without express authority in writing from ISOLUX INGENIERIA S.A.

CONTRACT NO.				CLIENT		PROJECT		TITLE		Scale	
				HARYANA VIDYUT PRASARAN NIGAM LTD.		Construction of 220/66kV GIS Substation Roj-ka-meo Faridabad		Nameplate for GIS(SF6 pressure curve)		1:1	
Prepared:				Checked:		Reviewed:		Approved:		Format: A1	
0 Lipeng				Yongyan		Yaojunfeng		16/04/2016		Dwg.No. ICI-3608-1401-RKM-C-66-CNT-013	
REV.				REVISIONS		ISOLUX INGENIERIA S.A.				Sheets	