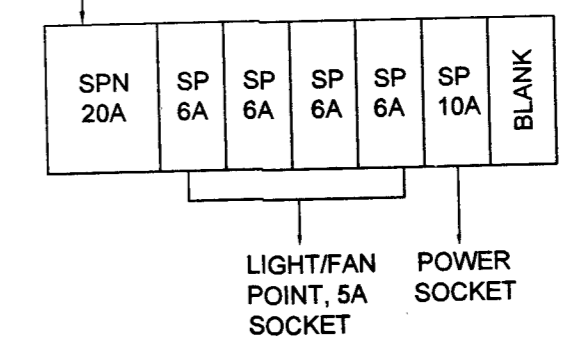
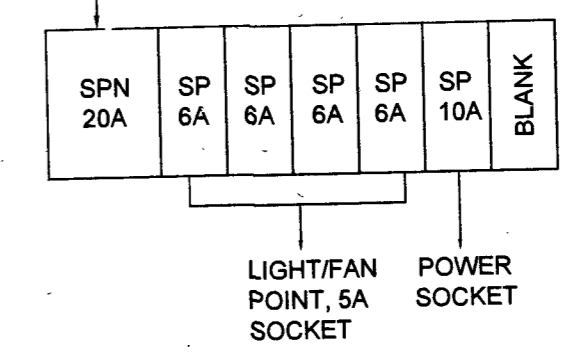


**INTERNAL ELECTRIFICATION PLAN
(GROUND FLOOR)**

SPN DB-01,02 (8 WAY)
(FOR DG SUPPLY)



SPN DB-03,04,05,06 (8 WAY)
(FOR GARAGE, OFFICE,
TOILET ETC.)



LEGEND INTERNAL ELECTRIFICATION

LOCATION OF FITTINGS AND FIXTURES ARE TENTATIVE

1	TUBE LIGHT 20 W	↔	47
2	TUBE LIGHT 10 W	↔	3
3	BULB HOLDER	⊙	7
4	LED SECURITY LIGHT 25 W LED	⊙	12
5	MIRROR LIGHT 5W LED	⊙	1
6	SOCKET 5 AMP	⊕	5
7	SOCKET 15 AMP	⊕	3
8	CEILING FAN (1200 MM)	⊕	5
9	EXHAUST FAN 250MM (PVC BODY WITH LOUVERS)	⊕	3
10	BULKEN LIGHT (8 WATT)	⊕	2
11	VTPN 6 WAY	⊕	1
12	SPN DB 8 WAY	⊕	6
13	DUCT	—	
14	MAIN SUPPLY WIRE	—	
15	ELECTRICAL VEHICLE CHARGER 10KW	EVC	2

- NOTES:**
1. CONTRACTOR TO CHECK AND VERIFY ALL DIMENSIONS BEFORE EXECUTION OF THE WORK.
 2. FIGURED DIMENSIONS SHALL BE FOLLOWED.
 3. FOR OTHER NOTES REF. LIST OF DRAWING

THIS DRGS IS BASED ON DRG NO-1936/2025
SHEET NO 01/03

SL NO	DATE	DESCRIPTION	INITIAL
REVISION			

PROVN OF MD ACCN FOR OFFRS ,JCOS AND ORS AT FEROPUR

16 MAJOR MD ACCN (G + 4)

INTERNAL ELECTRIFICATION PLAN
(GROUND FLOOR) AS PER GRIHA/ NBC 2016
NORMS

DATE	10/10/2025	CHIEF ENGINEER JALANDHAR ZONE	SHEET NO 01 03
DRAWN			
CHD		SCALE AS SHOWN DRG NO. CEJZ/EM-1938 / 2025	

Handwritten signature
AAD (ARCH)

Handwritten signature
AAD (E/M)

Handwritten signature
DIR (E/M)
FOR CE JALANDHAR ZONE