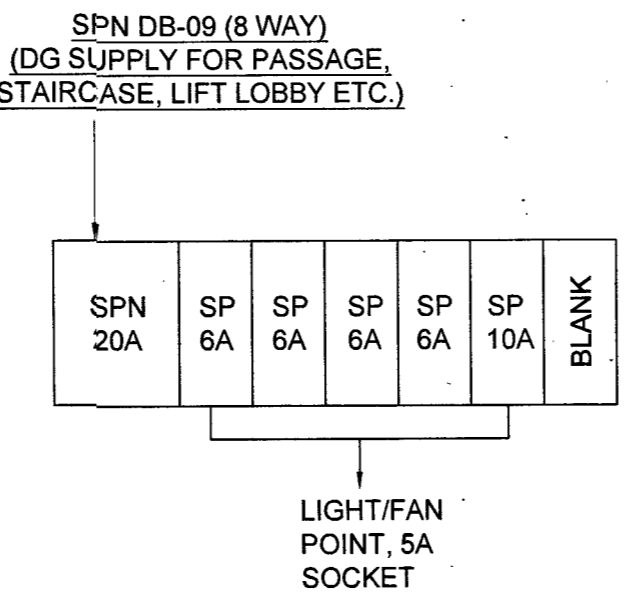
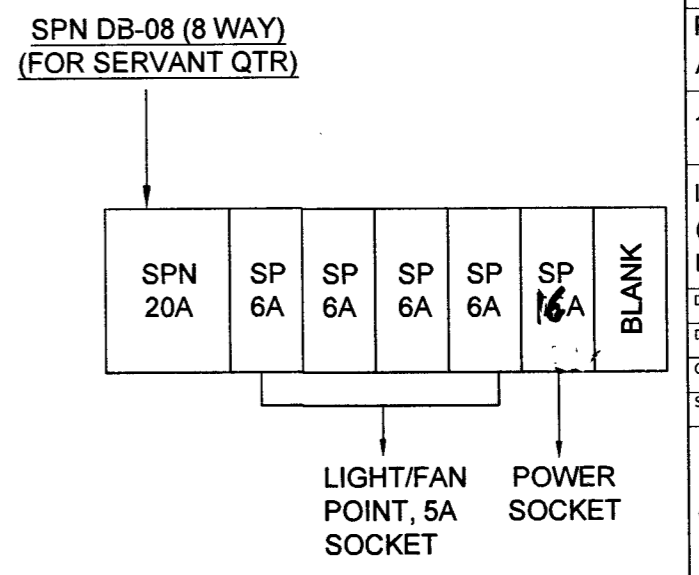
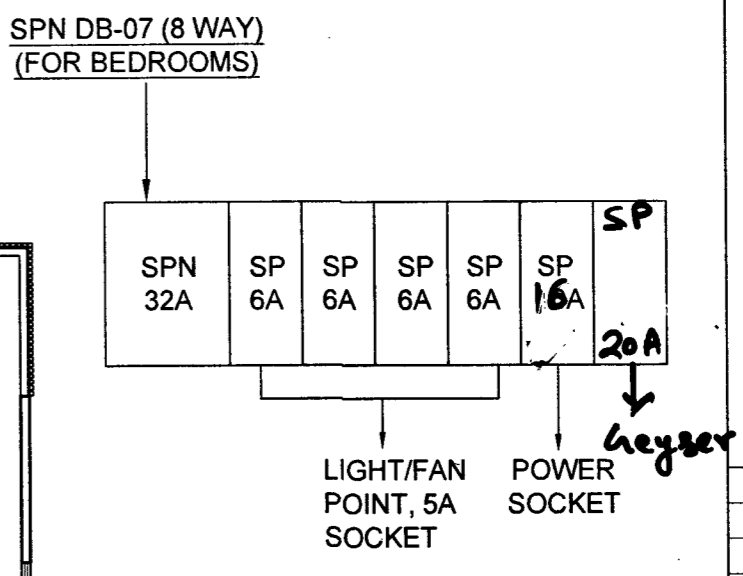
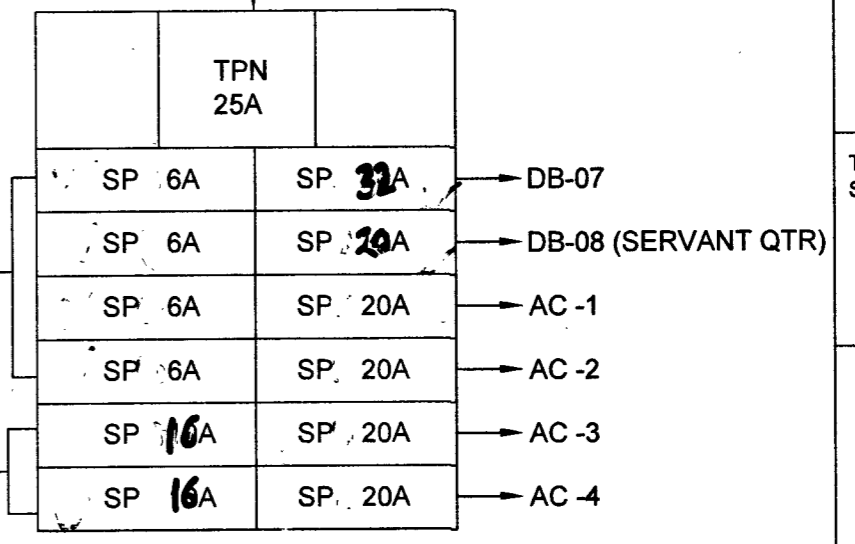


LEGEND INTERNAL ELECTRIFICATION
LOCATION OF FITTINGS AND FIXTURES ARE TENTATIVE

1	TUBE LIGHT 20 W	⊖	90
2	LED TUBE LIGHT 10 W	⊖	40
3	BULB HOLDER	⊖	4
4	SOCKET 5 AMP	⊖	75
5	SOCKET 15 AMP	⊖	20
6	AC SOCKET	⊖	16
7	CEILING FAN (1200 MM)	⊖	28
8	EXHAUST FAN 250MM (PVC BODY WITH LOUVERS)	⊖	16
9	CALL BELL	⊖	12
10	EXHAUST FAN 300MM (STEEL BODY)	⊖	5
11	BED LIGHT (10 W)	⊖	24
12	ELECTRICAL DIGITAL METER	M	4
13	CHIMNEY 600MM (1000 SUCTION POWER)	⊖	4
14	WALL FAN 300MM	⊖	4
15	BULKEN LIGHT (9 WATT)	B	18+2
16	TELEPHONE SOCKET	⊖	8
17	TPN DB 4 WAY	⊖	5
18	SPN DB 8 WAY	⊖	9

NOTES:
1. CONTRACTOR TO CHECK AND VERIFY ALL DIMENSIONS BEFORE EXECUTION OF THE WORK.
2. FIGURED DIMENSIONS SHALL BE FOLLOWED.
3. FOR OTHER NOTES REF. LIST OF DRAWING

THIS DRGS IS BASED ON DRG NO-1936/2025 SHET NO 02/03



INTERNAL ELECTRIFICATION PLAN (TYPICAL FLOOR)

SL NO	DATE	DESCRIPTION	INITIAL
REVISION			
PROVN OF MD ACCN FOR OFFRS, JCOS AND ORS AT FEROPUR			
16 MAJOR MD ACCN (G + 4)			
INTERNAL ELECTRIFICATION PLAN (TYPICAL FLOOR) AS PER GRHA/ NBC 2016 NORMS			
DATE	10/10/2025	CHIEF ENGINEER	SHEET NO.
DRAWN		JALANDHAR ZONE	02/03
CHKD			
SCALE	AS SHOWN	DRG NO. CEJZ/EM-1938 / 2025	

Signature: AAD (ARCH)
Signature: AAD (E/M)
DIR (E/M) FOR CE JALANDHAR ZONE