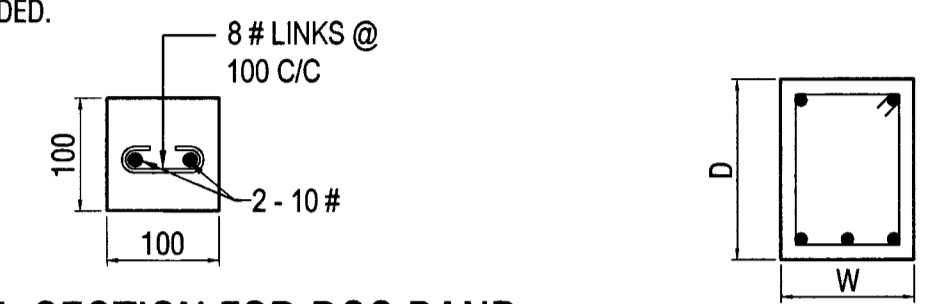


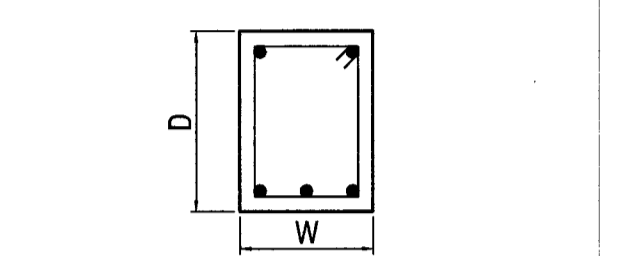
SCHEDULE OF LINTEL

SL. NO.	MAX. CLEAR OPENING WIDTH	D	WIDTH OF WALL (W)	REINFORCEMENT		STIRRUPS	
				BOTTOM	TOP	UP TO 0.25L FROM SUPPORT	AT BALANCE SPAN
1.	UP TO 900	200	100	2-#12	2-#12	2L-#8 @700/C	2L-#8 @1250/C
	UP TO 900	200	200	2-#12	2-#12	2L-#8 @700/C	2L-#8 @1250/C
2.	901 TO 1500	250	100	3-#12	2-#12	2L-#8 @700/C	2L-#8 @1250/C
	901 TO 1500	250	200	3-#12	2-#12	2L-#8 @700/C	2L-#8 @1250/C
3.	1501 TO 2100	275	200	2-#16	2-#16	2L-#8 @700/C	2L-#8 @1250/C
4.	2101 TO 3000	300	200	2-#16+1-#12	2-#16	2L-#8 @700/C	2L-#8 @1250/C

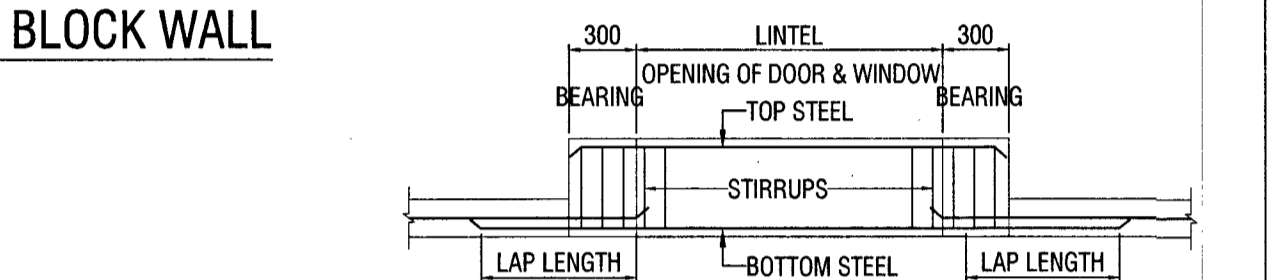
NOTE: RCC SHORT LINTEL SHALL BE PROVIDED OVER OPENINGS OF DOOR, WINDOW, VENTILATOR AND WHEREVER RCC CHAJJA IS PROVIDED.



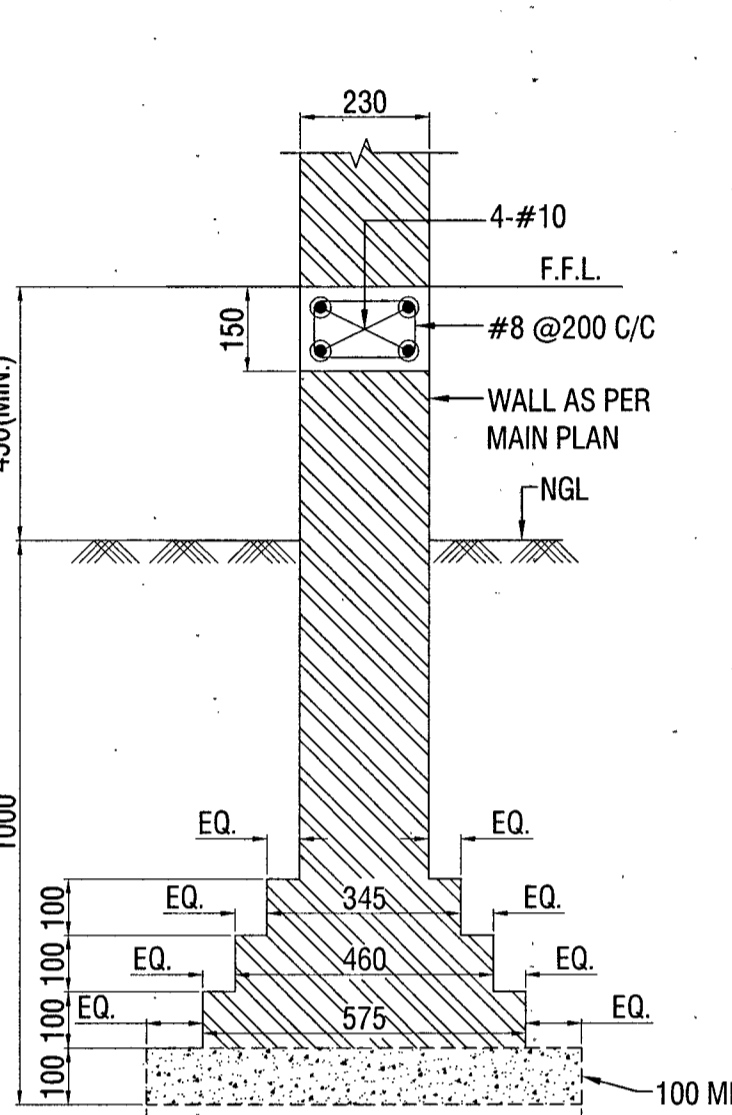
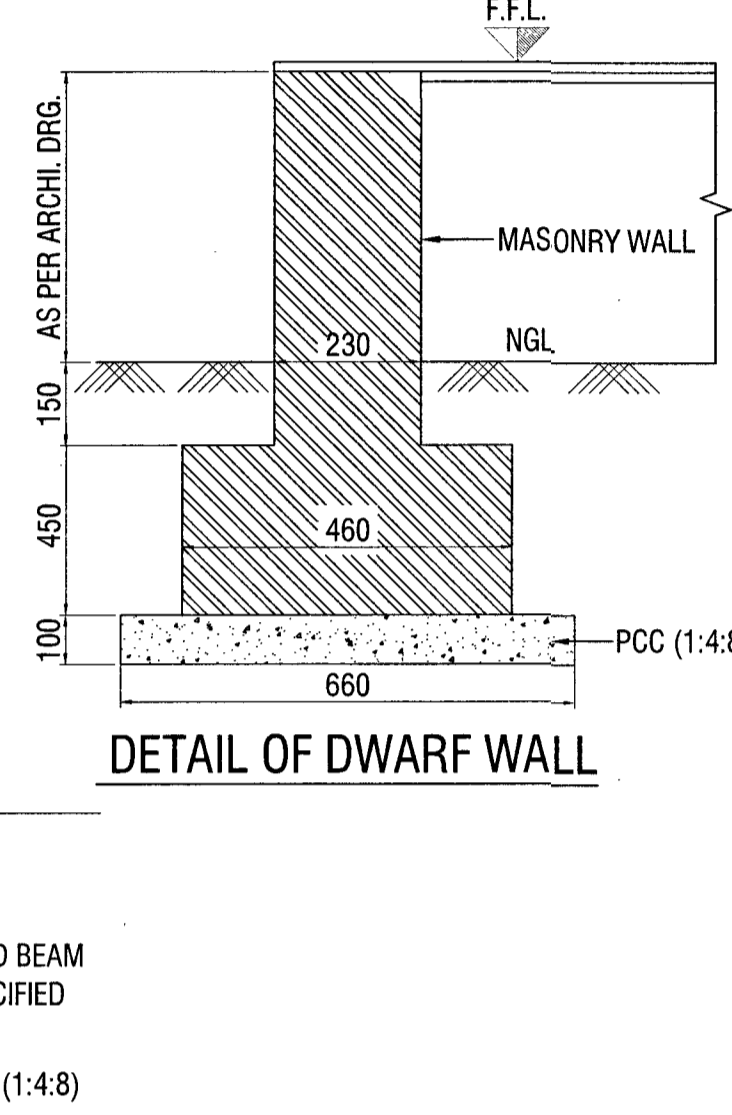
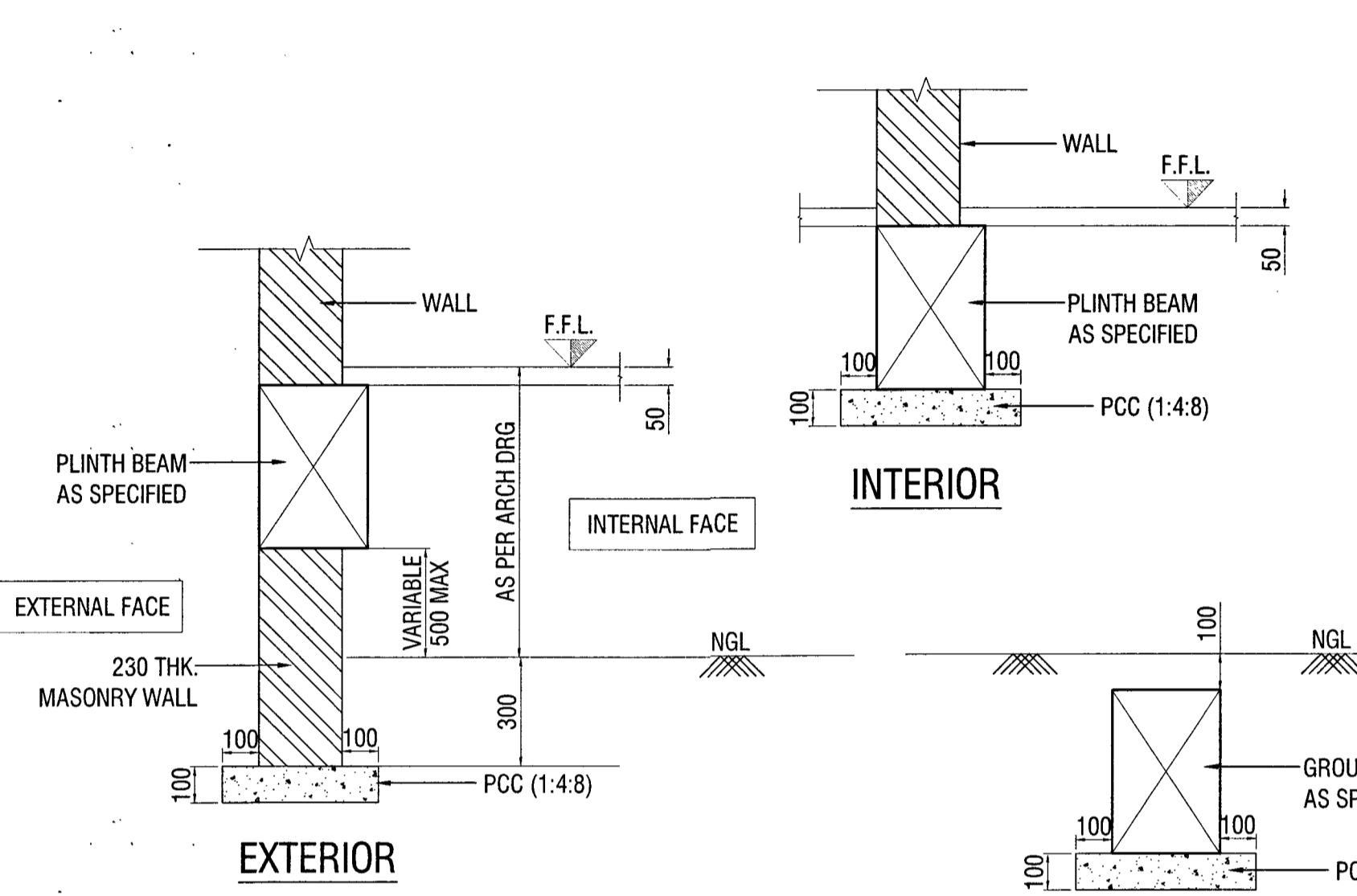
TYPICAL SECTION FOR RCC BAND AT LINTEL LEVEL OVER 100 THK. AAC BLOCK WALL



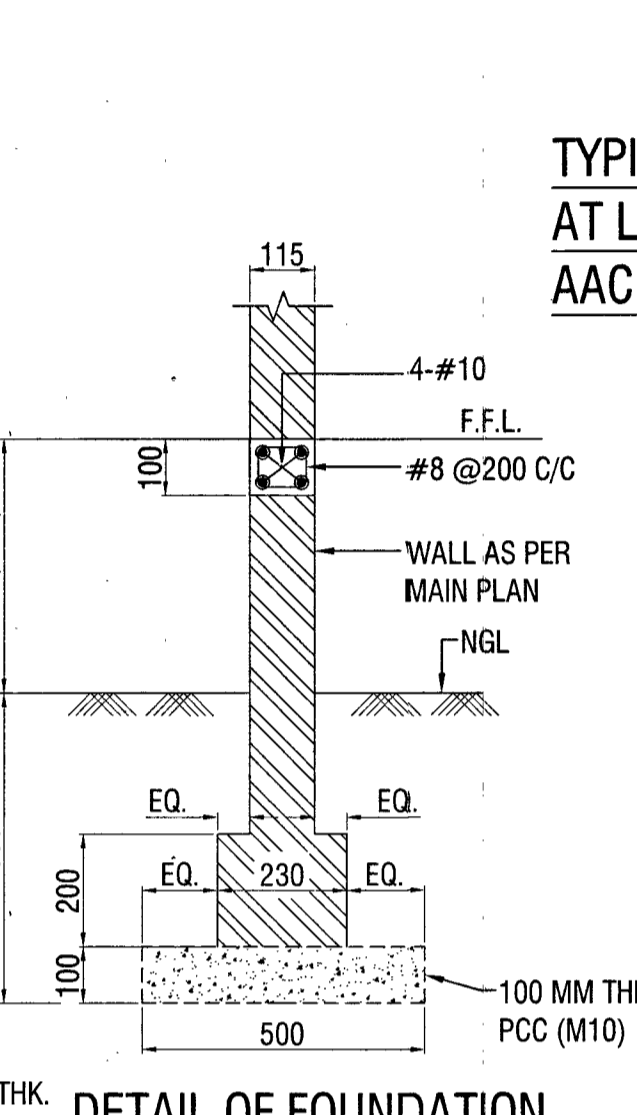
TYPICAL SECTION FOR LINTEL



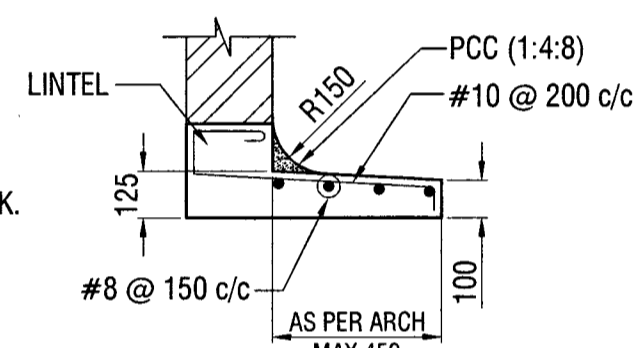
TYPICAL SECTION SHOWING CONNECTION BETWEEN RCC LINTEL AND RCC BAND



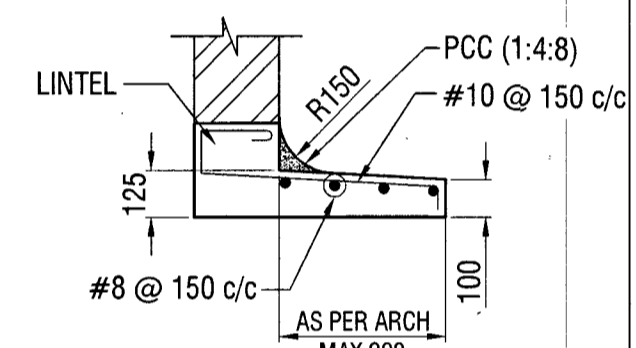
DETAIL OF FOUNDATION FOR 230 THK WALL (WL230)



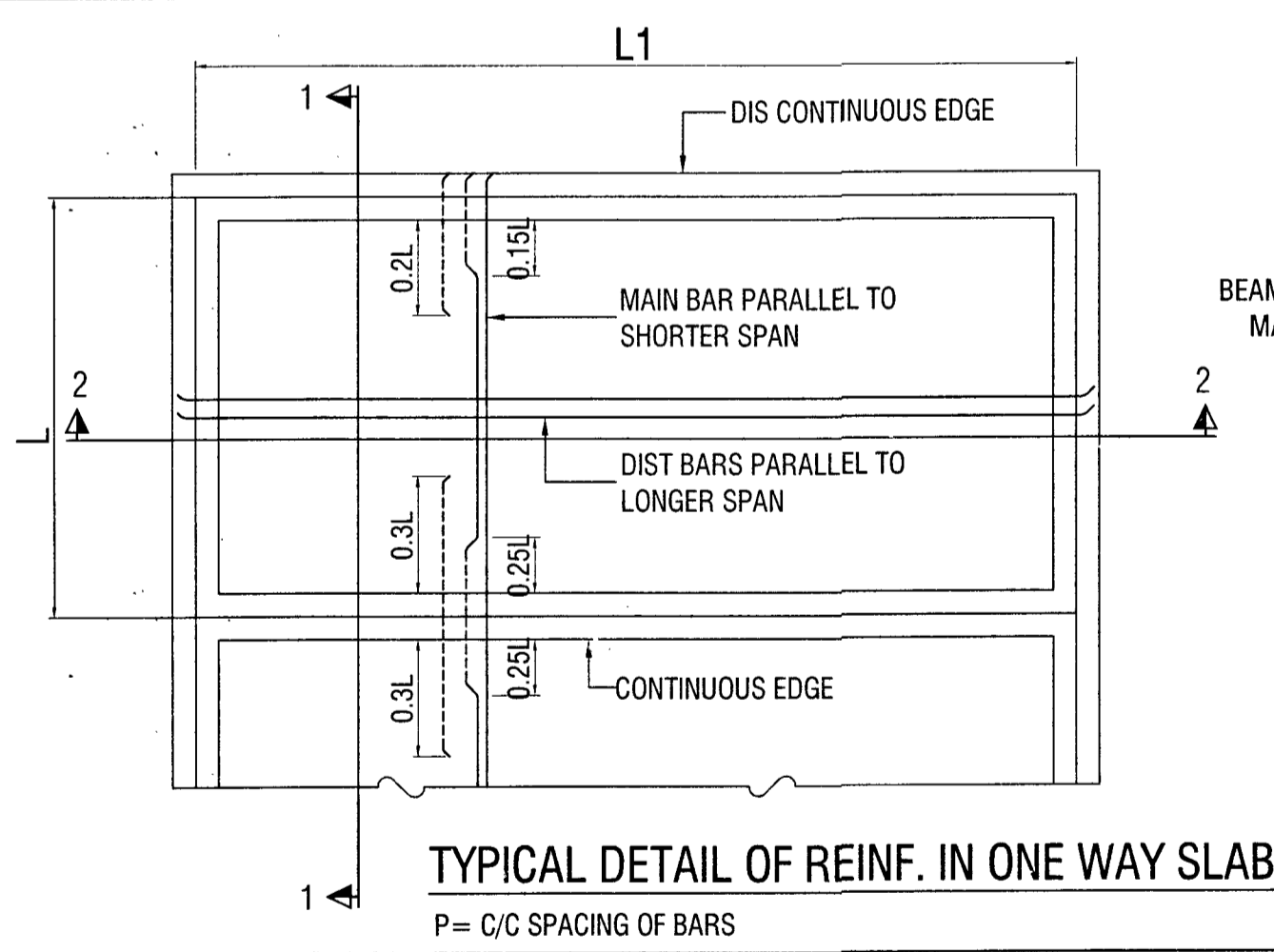
DETAIL OF FOUNDATION FOR 115 THK WALL (WL115)



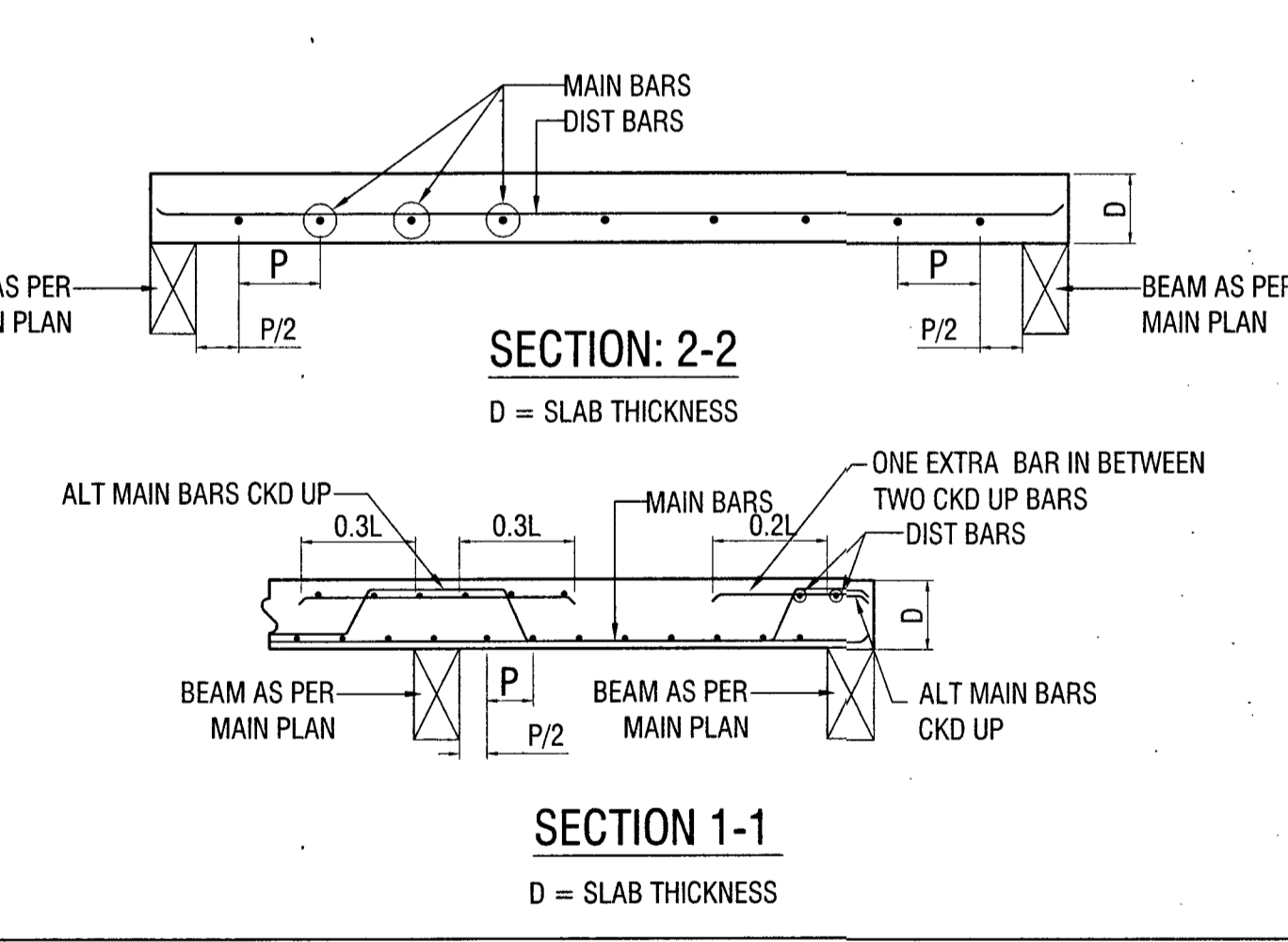
TYP. DETAIL OF RCC CHAJJA (MAX. 450 WIDE)



TYP. DETAIL OF RCC CHAJJA (MAX. 900 WIDE)

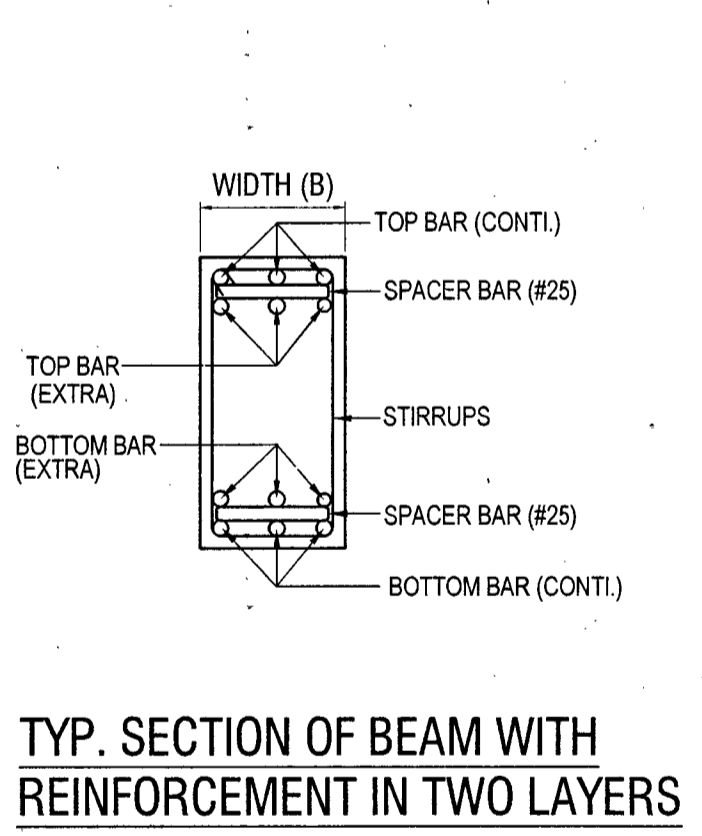


TYPICAL DETAIL OF REINF. IN ONE WAY SLAB

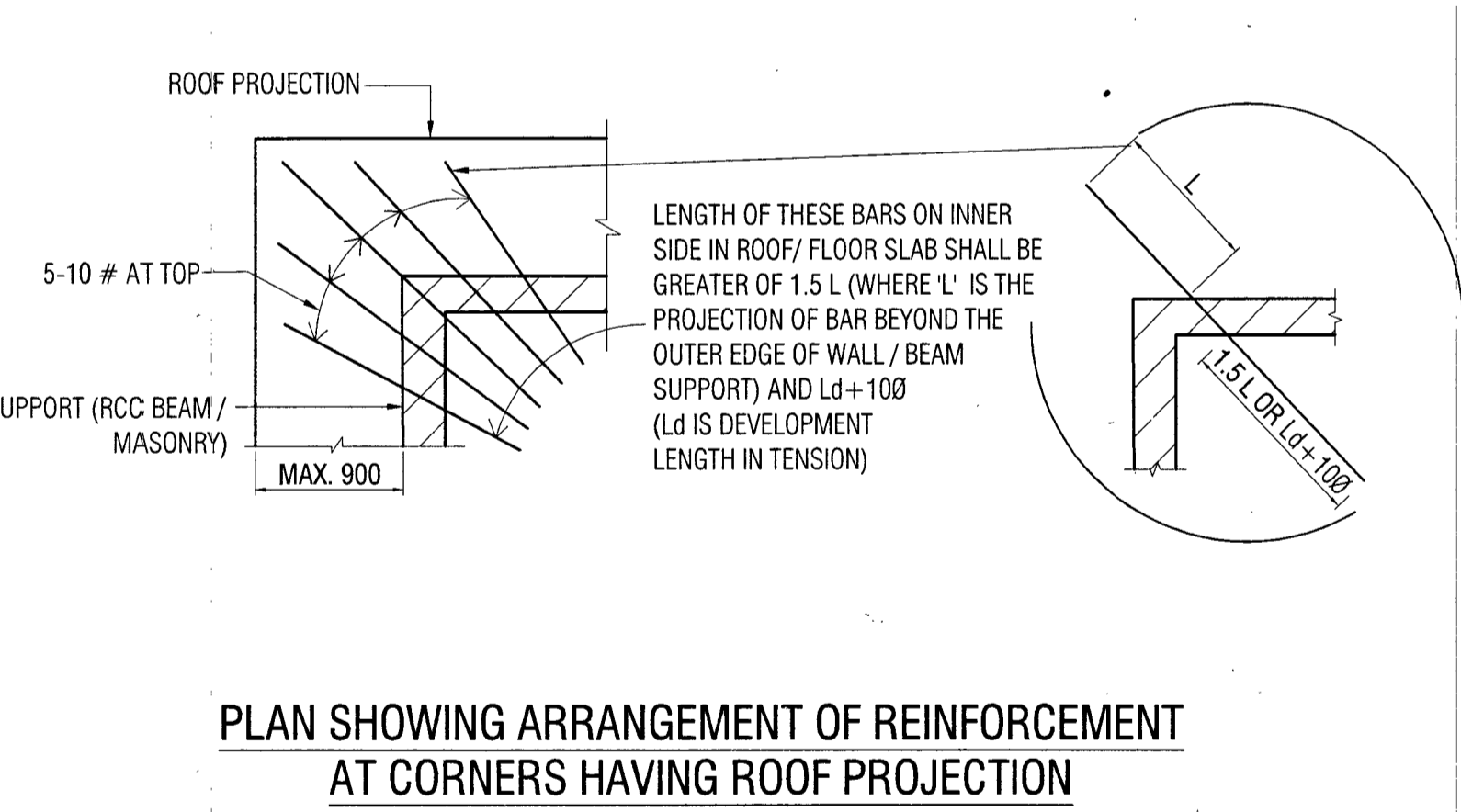


SECTION 2-2
D = SLAB THICKNESS

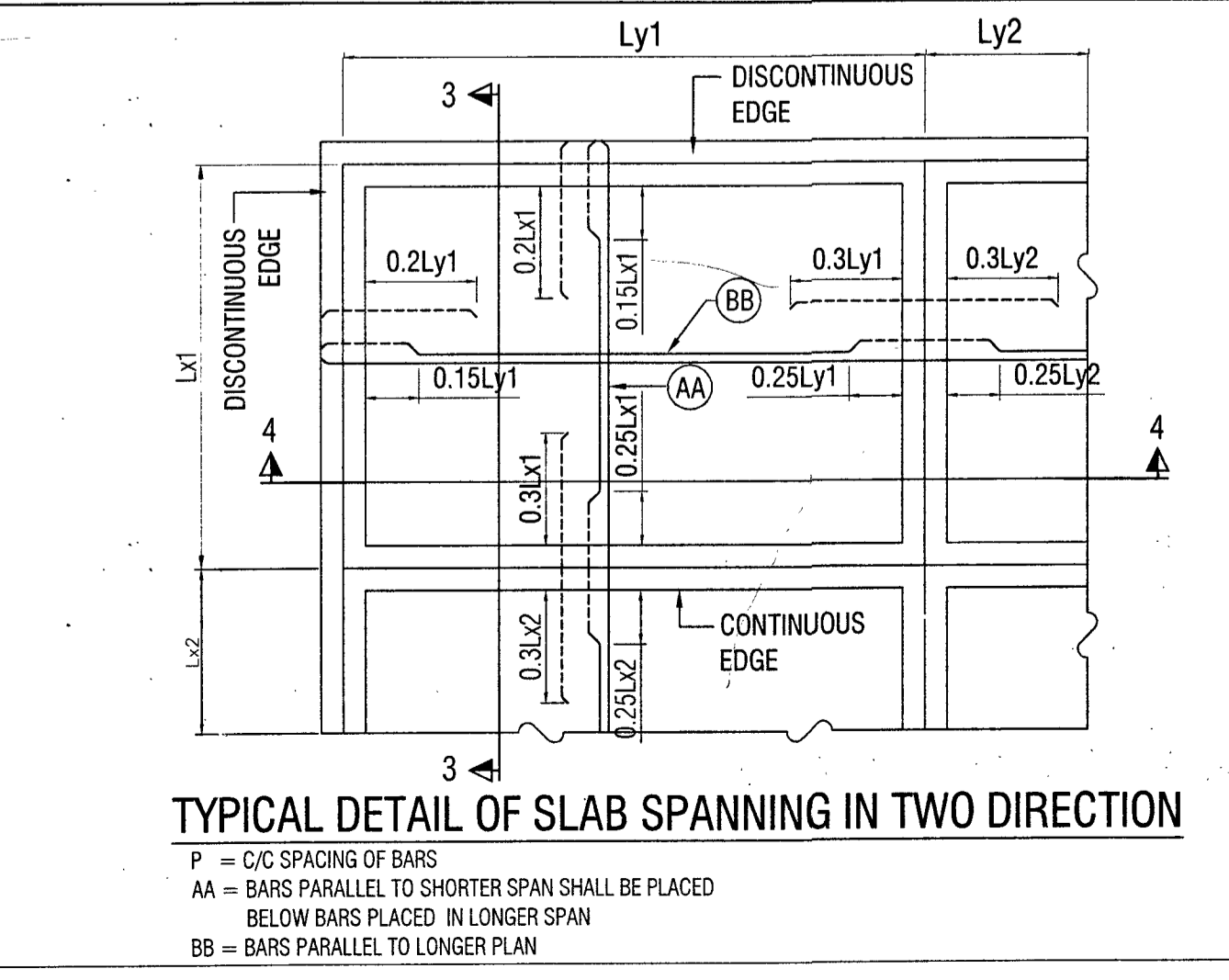
SECTION 1-1
D = SLAB THICKNESS



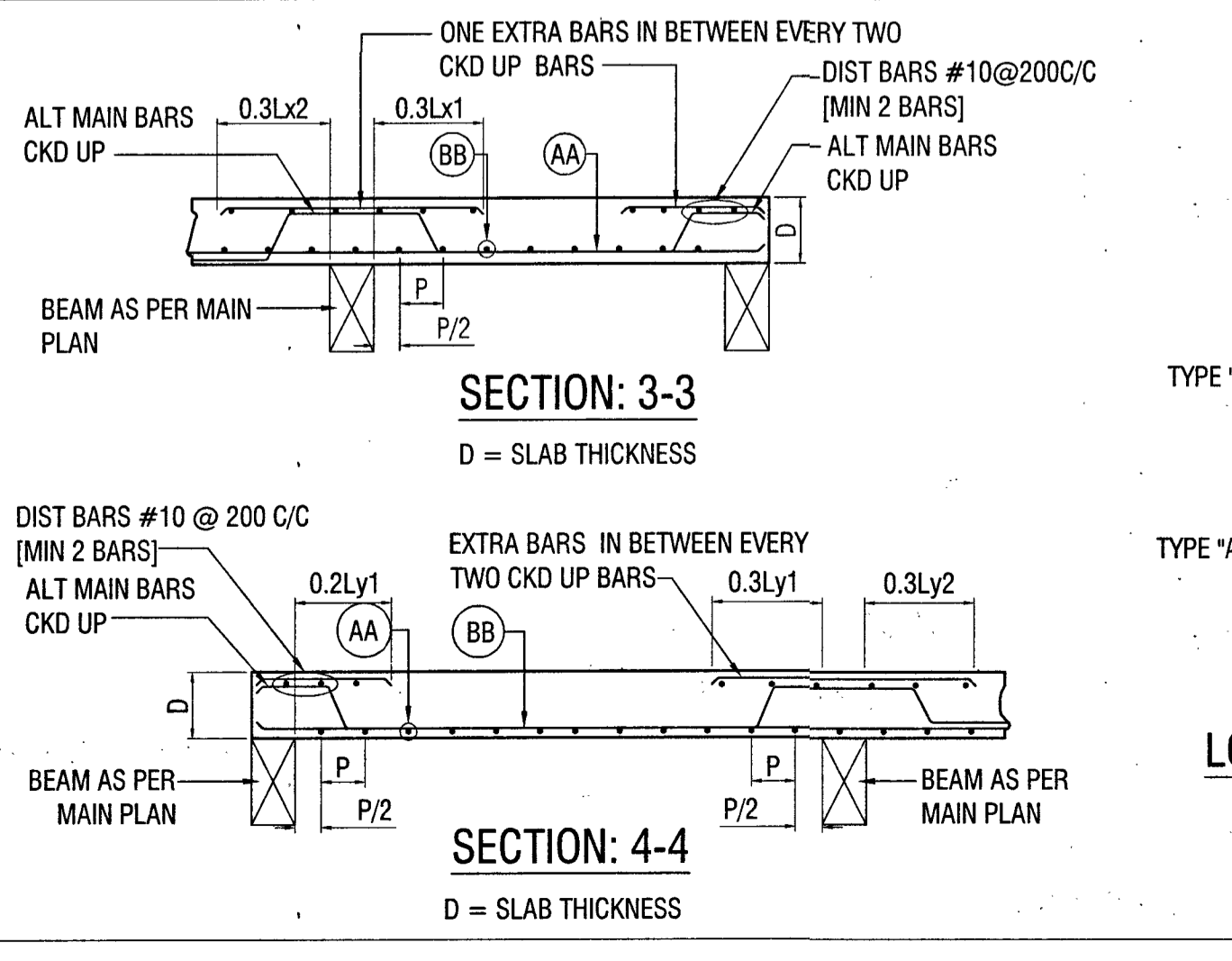
TYP. SECTION OF BEAM WITH REINFORCEMENT IN TWO LAYERS



PLAN SHOWING ARRANGEMENT OF REINFORCEMENT AT CORNERS HAVING ROOF PROJECTION

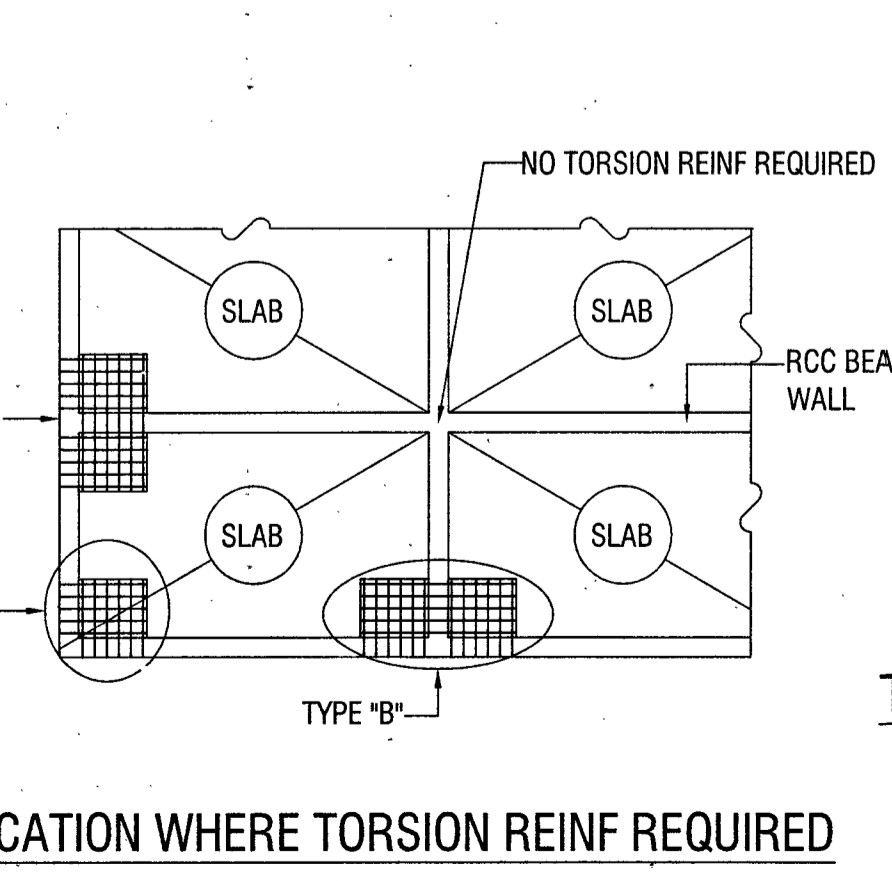


TYPICAL DETAIL OF SLAB SPANNING IN TWO DIRECTION

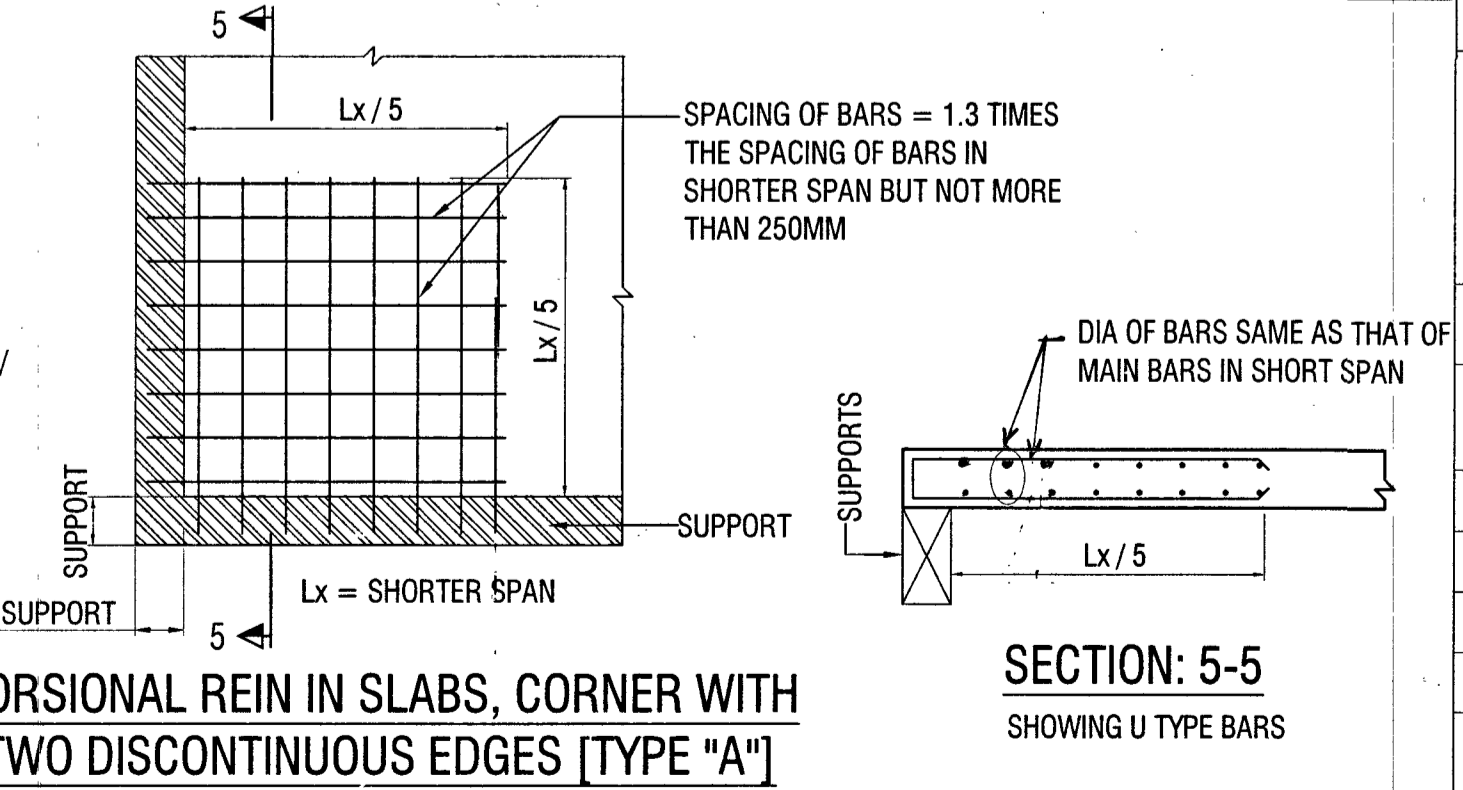


SECTION 3-3
D = SLAB THICKNESS

SECTION 4-4
D = SLAB THICKNESS



LOCATION WHERE TORSION REINF REQUIRED



TORSIONAL REIN IN SLABS, CORNER WITH TWO DISCONTINUOUS EDGES [TYPE 'A']

SECTION 5-5
SHOWING U TYPE BARS

- NOTES:**
- CONTRACTOR TO CHECK AND VERIFY ALL DIMENSIONS BEFORE EXECUTION OF THE WORK.
 - ALL DIMENSIONS ARE GIVEN IN MILLIMETERS UNLESS OTHERWISE SPECIFIED.
 - FIGURED DIMENSIONS SHALL ONLY BE FOLLOWED.
 - EXECUTIVE AUTHORITY SHALL CHECK AND VERIFY ALL THE DRGS BEFORE TAKING EXECUTION IN HAND.
 - BEAM AND OTHER SHALL BE NOT BE CUT THROUGH TO PROVIDE DRAIN PIPES, ETC. SLEEVES OF SUITABLE SIZE SHALL BE PROVIDED AT PREDETERMINED LOCATION BEFORE CASTING OF THE SLAB.
 - CONFINING TIES AT LOCATION OF SPLICE SHALL BE SAME AS INDICATED FOR "L₂" IN THE COLUMN SCHEDULE.
 - FOR GENERAL STRUCTURAL NOTES REFER SHEET NOS. 1/11 OF DRAWING NO. CEJZ/SD- /2025

SER NO	DATE	DESCRIPTION	INITIAL

REVISION

JOB NO. W - 2138
PROVN OF MD ACCN FOR OFFRS,
JCOs & ORs AT FEROPUR
16 MAR (G+4)

STRUCTURAL GENERAL NOTES

DATE	10 OCT 2025	SHEET NO.	
DRAWN	NB SUB SANDEEP SHARMA	CHIEF ENGINEER	02
CHKD		JALANDHAR ZONE	11
SCALE	AS SHOWN	DRG NO CEJZ/SD- 1938/2025	

THIS DRG IS BASED ON DRG NO CEJZ/SD-1936/2025 SHEET NO 02/11

Feder Raj
AAD (DES)

Sandeep Sharma
DIRECTOR (DESIGN) FOR CHIEF ENGINEER