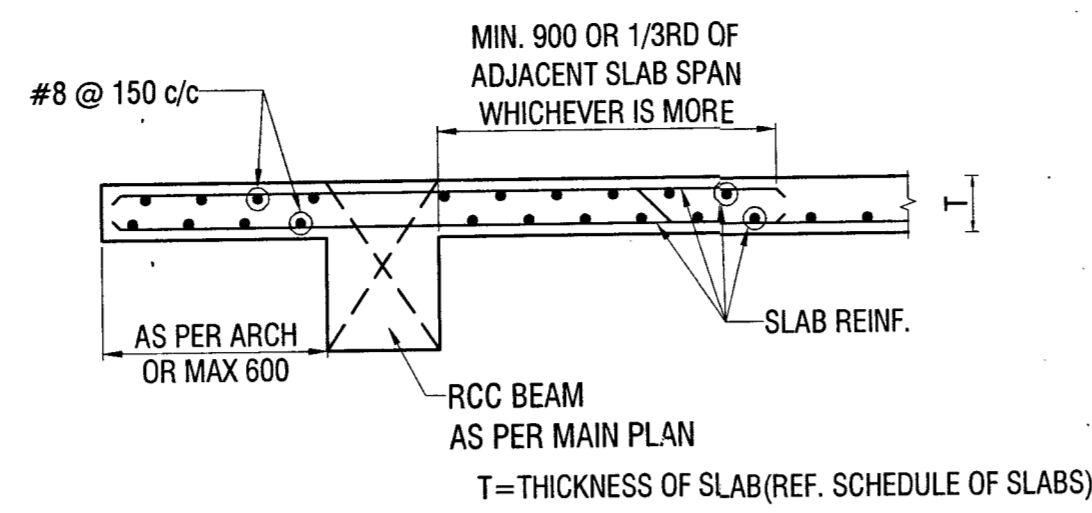
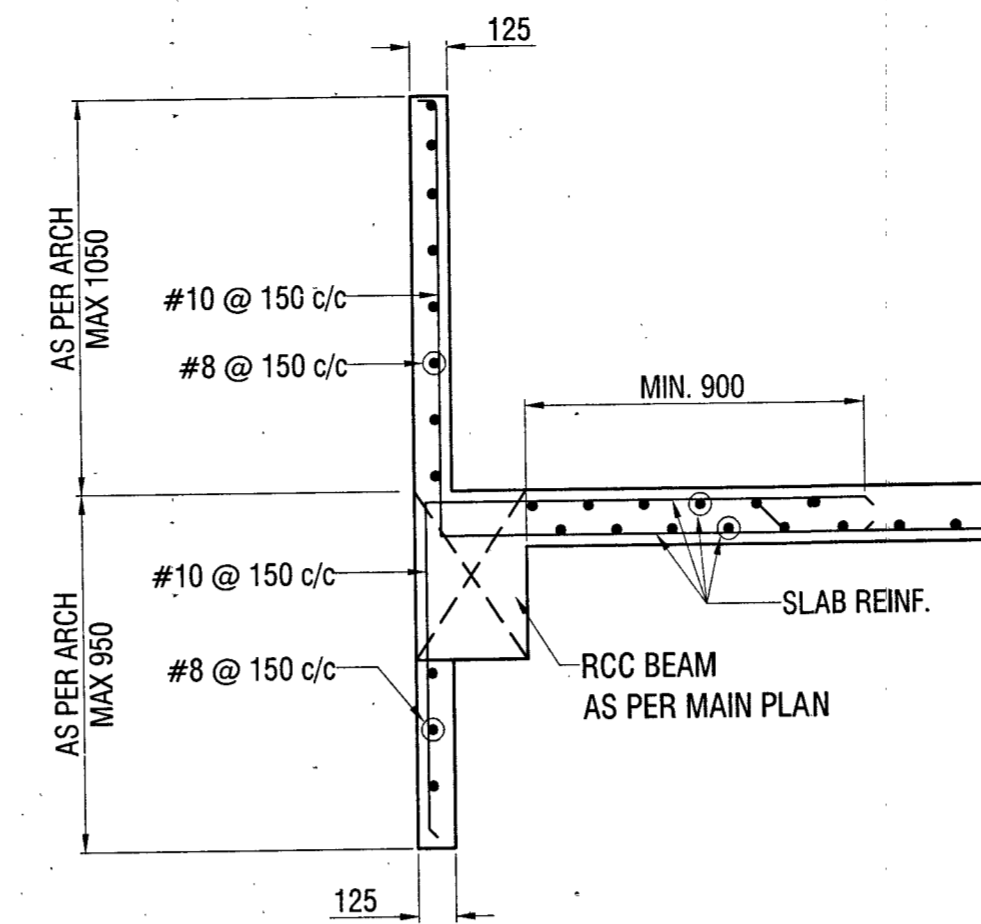


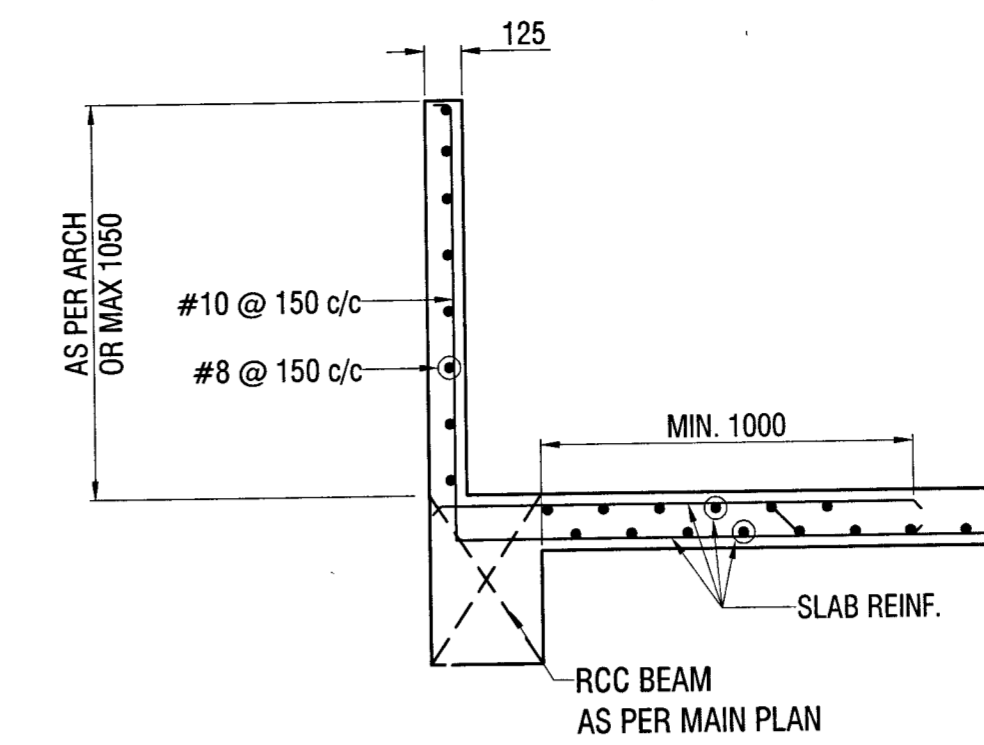
TORSIONAL REIN IN SLABS, CORNER WITH TWO DISCONTINUOUS EDGES [TYPE "B"]



TYPICAL REINF. DETAILS OF ROOF PROJECTION

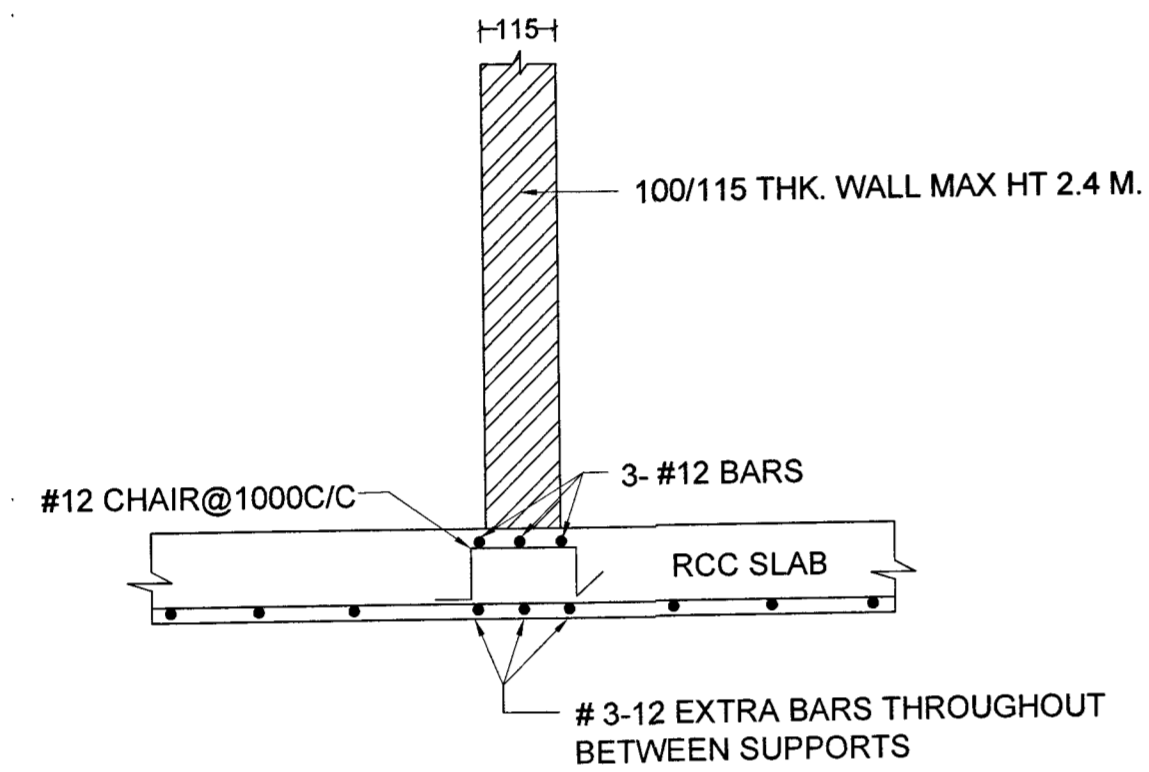


TYPICAL DETAIL OF RCC PARAPET WALL WITH DOWNWARD FACIA

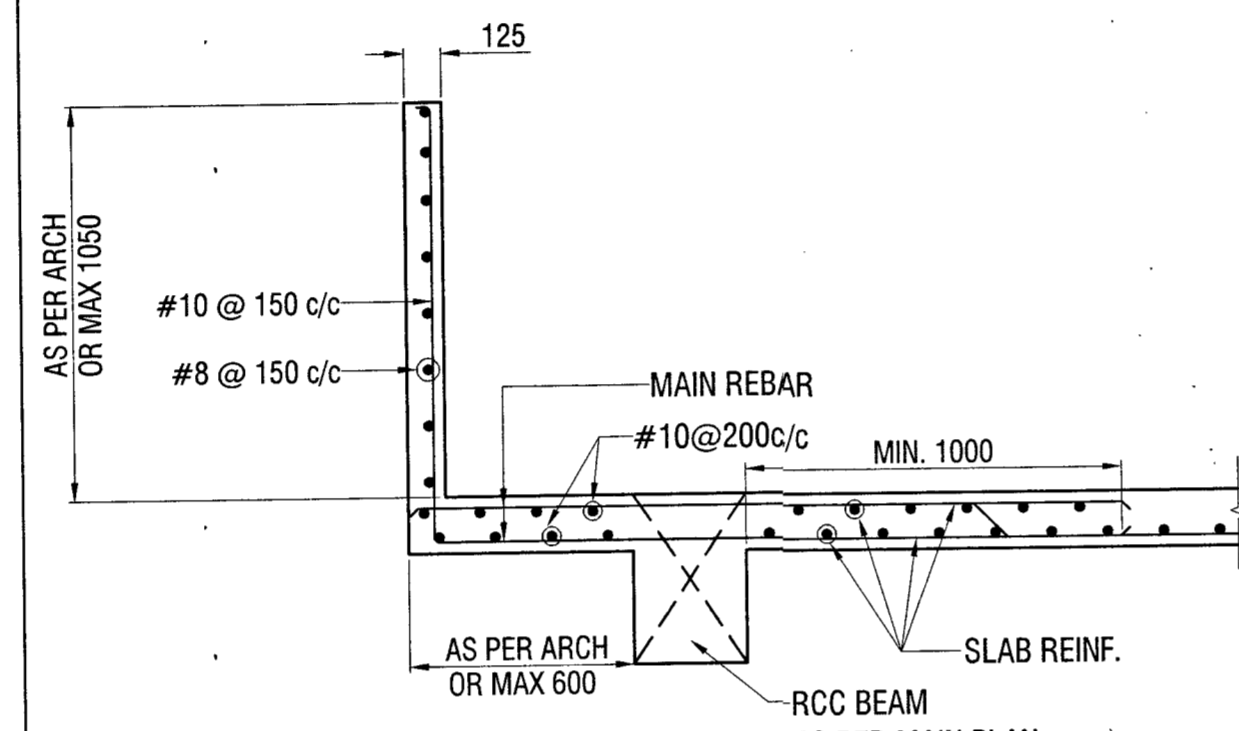


TYPICAL DETAIL OF RCC PARAPET WALL

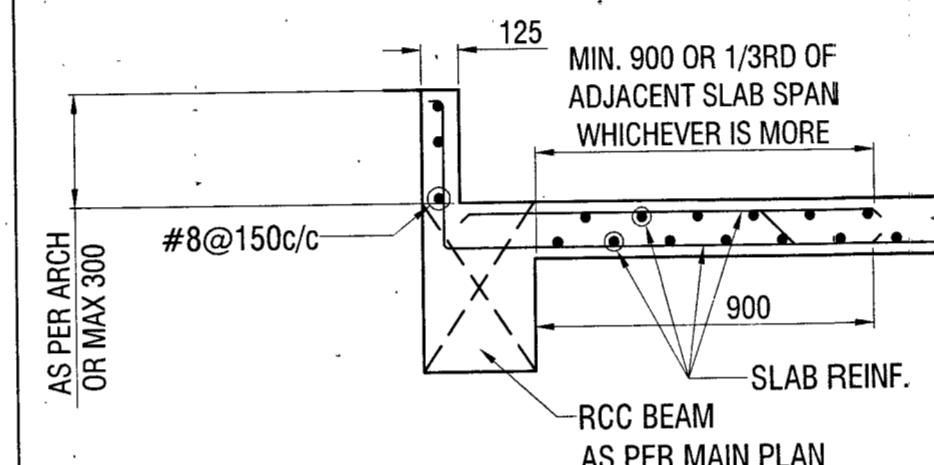
115 Thk. Walls resting on slab: Slabs upto 3 metre clear span supporting a 115 thk. wall upto height of 2.4 metre across the short span shall be provided with additional reinforcement as shown in Fig



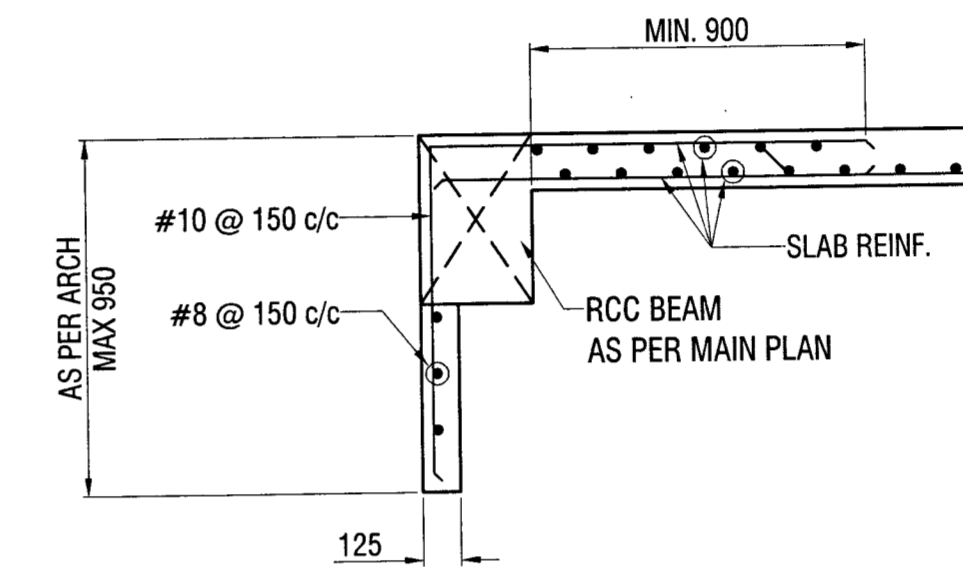
REINFORCEMENT DETAIL FOR 115 THK. WALL DIRECTLY RESTING ON SLAB



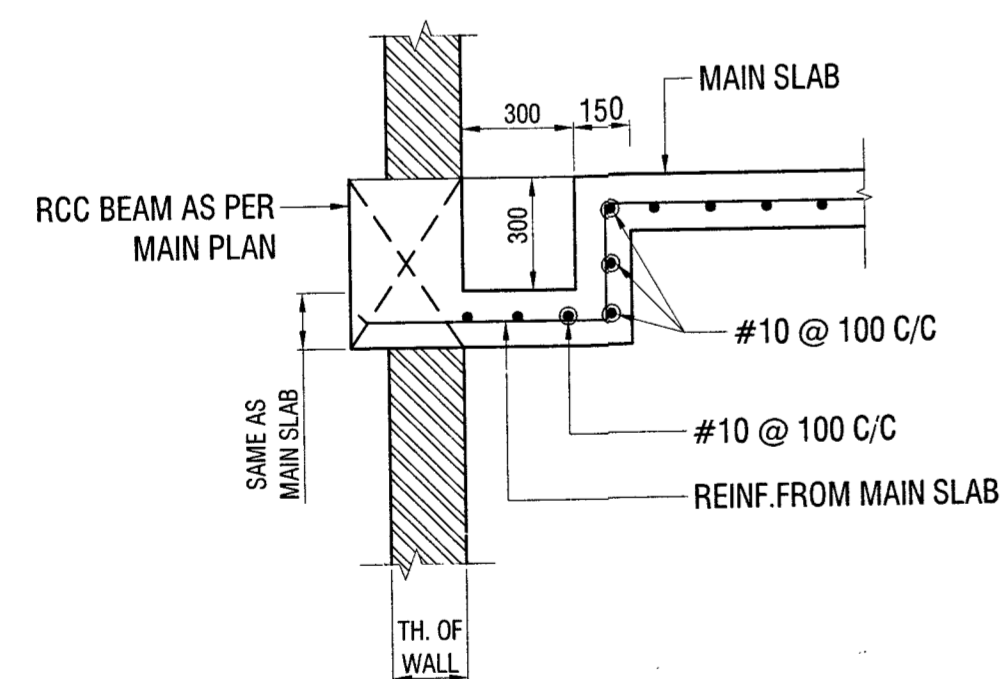
TYPICAL DETAIL OF PARAPET WALL WITH RCC ROOF PROJECTION



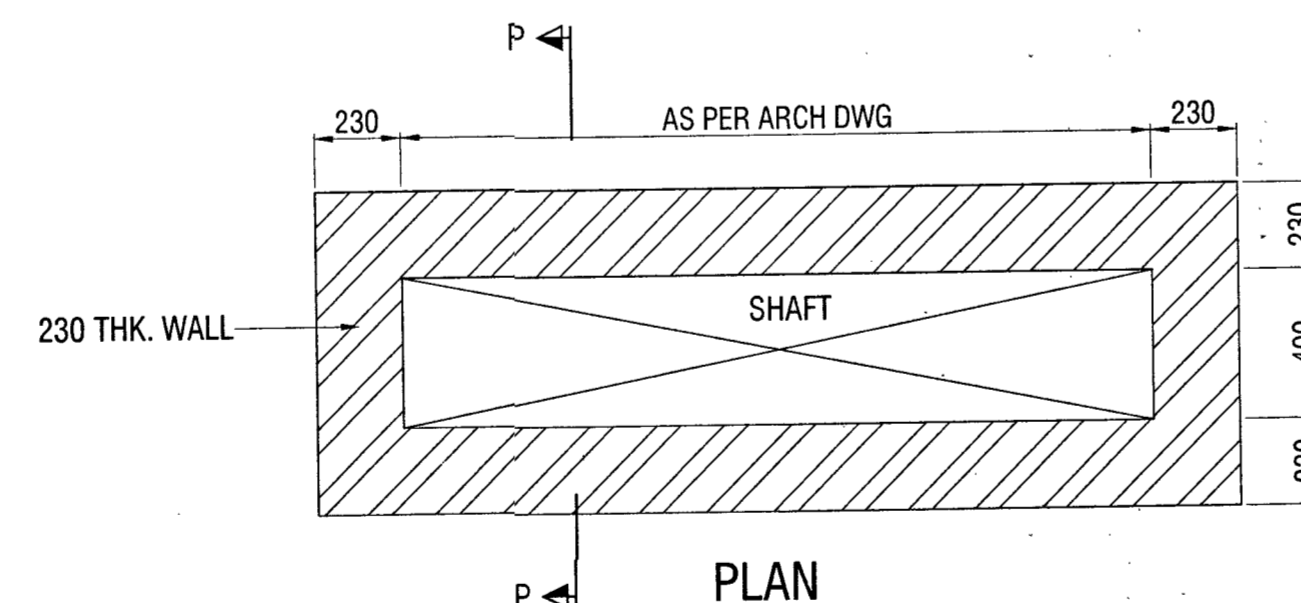
TYPICAL DETAIL OF RCC CURB WALL



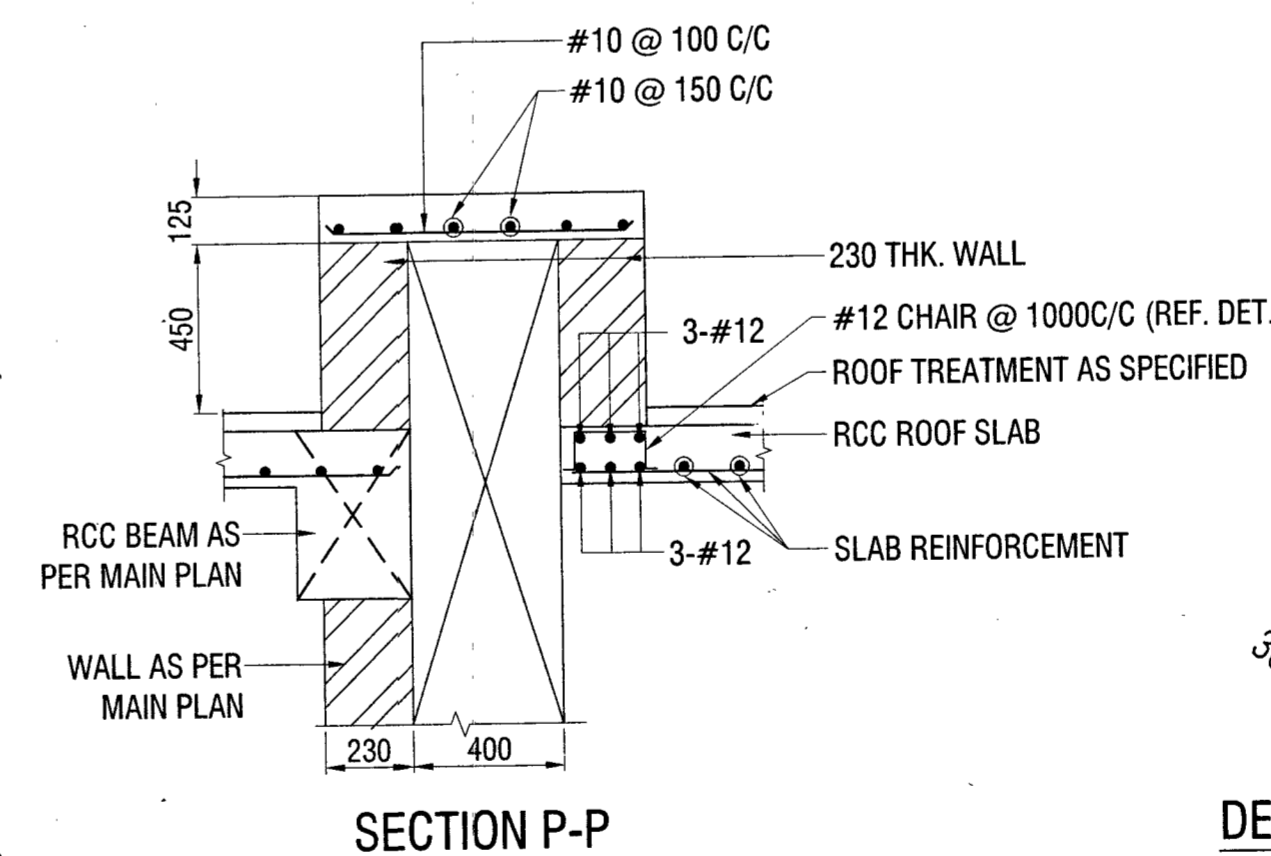
TYPICAL DETAIL OF RCC DOWNWARD FACIA



RCC DETAIL OF TYPICAL LOCAL SUNK



RCC DETAIL OF TYPICAL SHAFT COVER SLAB



DETAIL OF CHAIR

NOTES:

1. CONTRACTOR TO CHECK AND VERIFY ALL DIMENSIONS BEFORE EXECUTION OF THE WORK.
2. ALL DIMENSIONS ARE GIVEN IN MILLIMETERS UNLESS OTHERWISE SPECIFIED.
3. FIGURED DIMENSIONS SHALL ONLY BE FOLLOWED.
4. EXECUTIVE AUTHORITY SHALL CHECK AND VERIFY ALL THE DRGS BEFORE TAKING EXECUTION IN HAND.
5. BEAM AND OTHER SHALL BE NOT BE CUT THROUGH TO PROVIDE DRAIN PIPES, ETC. SLEEVES OF SUITABLE SIZE SHALL BE PROVIDED AT PREDETERMINED LOCATION BEFORE CASTING OF THE SLAB.
6. CONFINING TIES AT LOCATION OF SPLICE SHALL BE SAME AS INDICATED FOR "L_c" IN THE COLUMN SCHEDULE.
7. FOR GENERAL STRUCTURAL NOTES REFER SHEET NOS. 1/11 OF THIS DRG

SER NO	DATE	DESCRIPTION	INITIAL
REVISION			

JOB NO. W - 2138
 PROVN OF MD ACCN FOR OFFRS,
 JCOs & ORs AT FEROPUR
 16 MAJDR (G+4)

STRUCTURAL GENERAL NOTES & TYPICAL DETAILS

DATE	10 OCT 2025	CHIEF ENGINEER JALANDHAR ZONE	SHEET NO.
DRAWN	NB SUB SANDEEP SHARMA		03
CHKD			11
SCALE	AS SHOWN	DRG NO CEJZ/SD- 1938/2025	

THIS DRG IS BASED ON DRG NO CEJZ/SD-1936/2025 SHEET NO 03R/1/11

DIRECTOR (DESIGN)
 FOR CHIEF ENGINEER