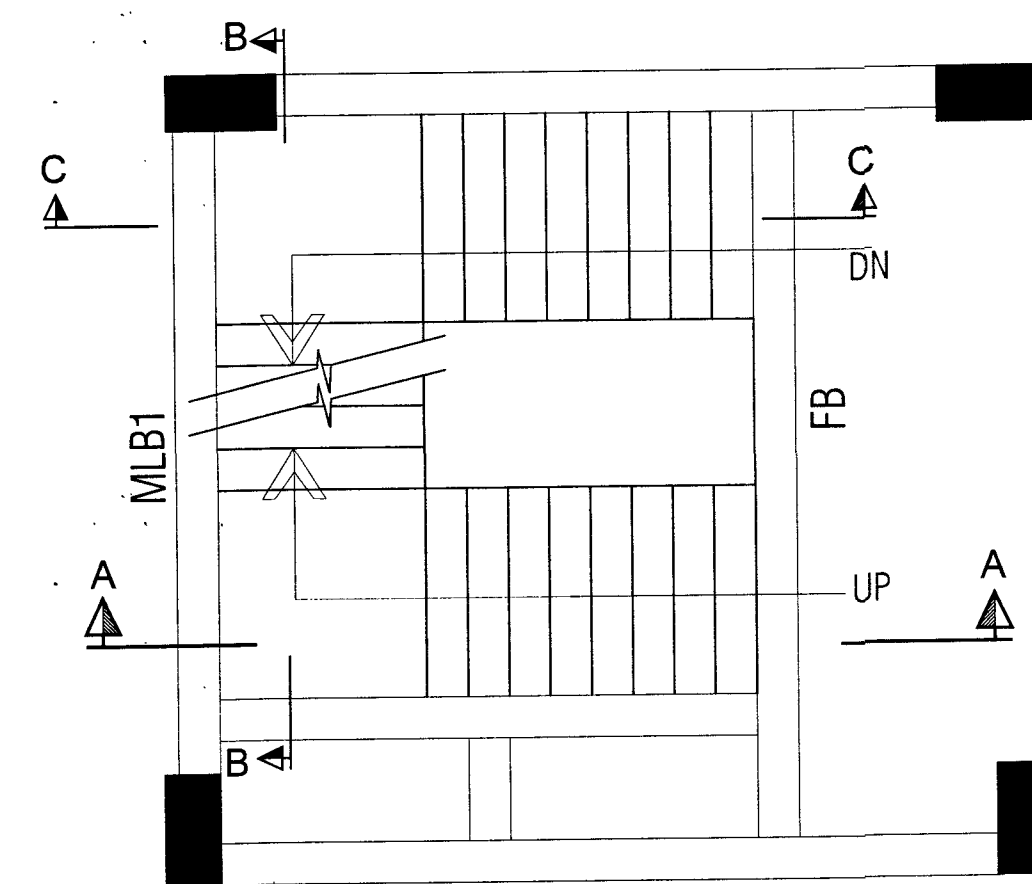
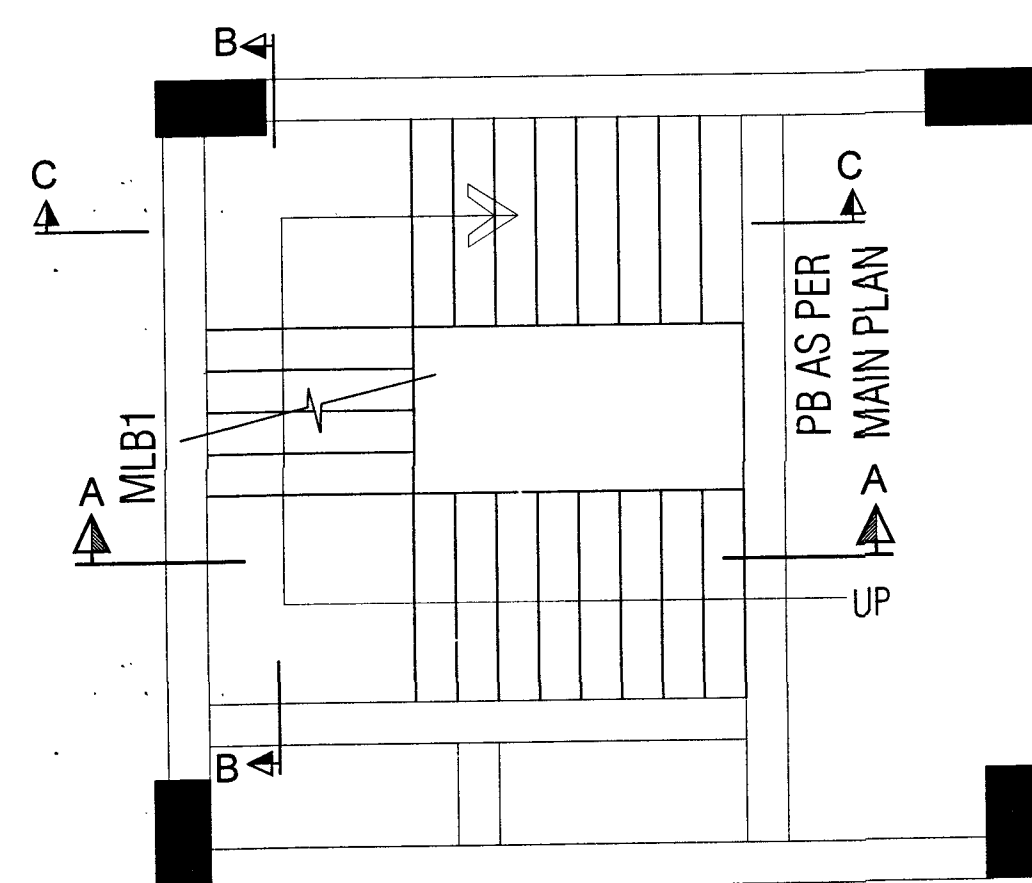


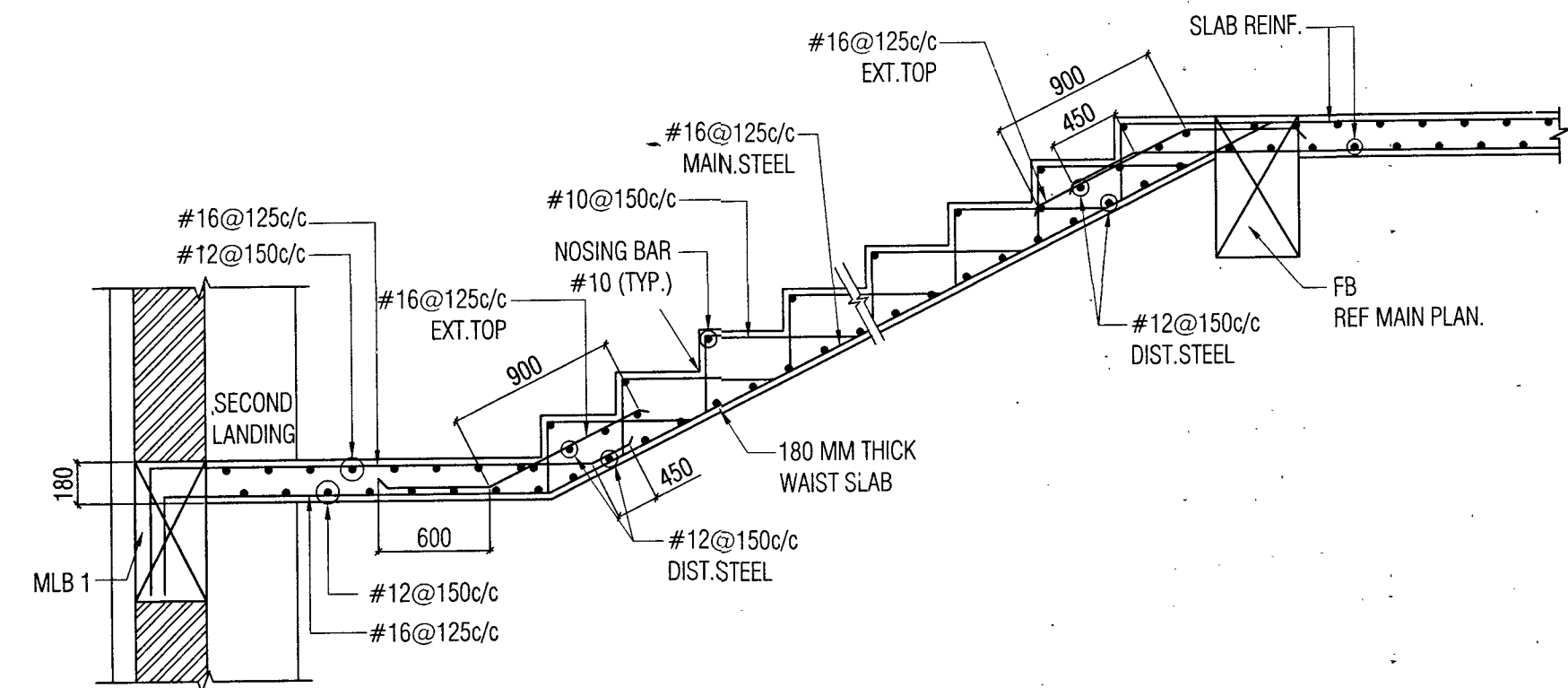
DETAIL OF STAIRCASE-2 MUMTY FLOOR PLAN
 DETAIL OF STAIRCASE-1 IS 180° ROTATION OF DETAIL OF STAIRCASE-2



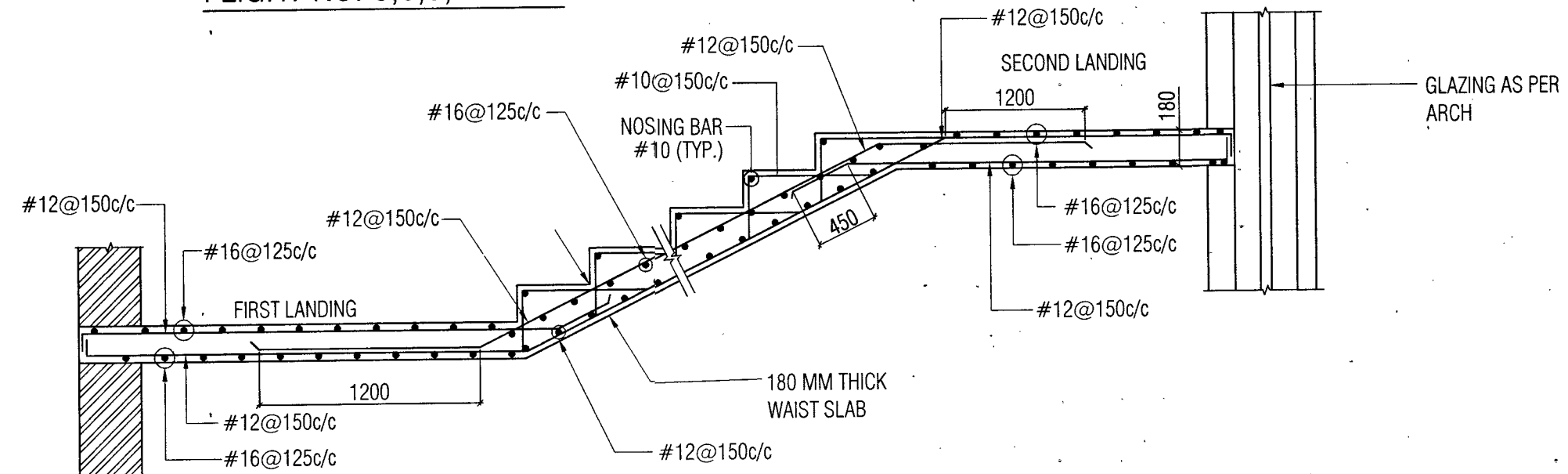
DETAIL OF STAIRCASE-2 TYPICAL FLOOR PLAN (FIRST TO FOURTH FLOOR)
 DETAIL OF STAIRCASE-1 IS 180° ROTATION OF DETAIL OF STAIRCASE-2



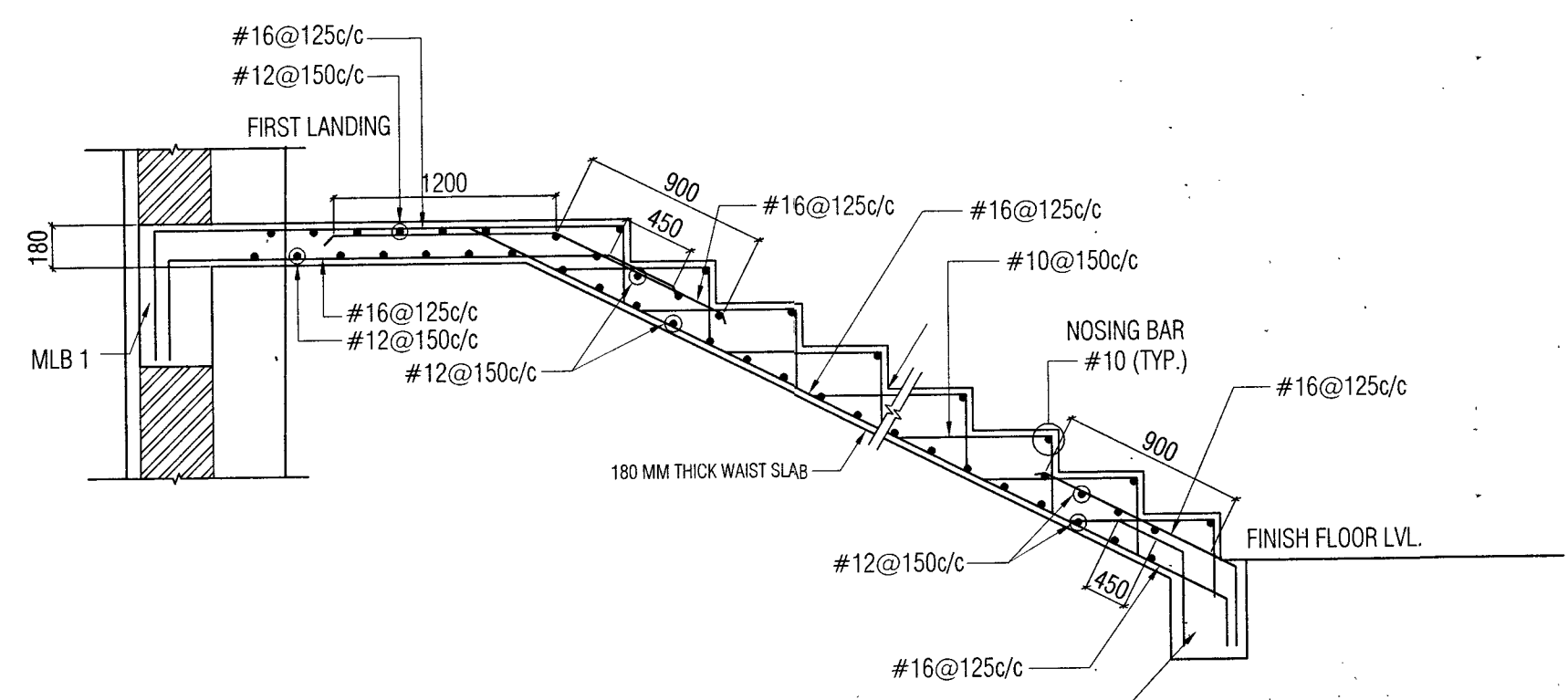
DETAIL OF STAIRCASE-2 GROUND FLOOR PLAN
 DETAIL OF STAIRCASE-1 IS 180° ROTATION OF DETAIL OF STAIRCASE-2



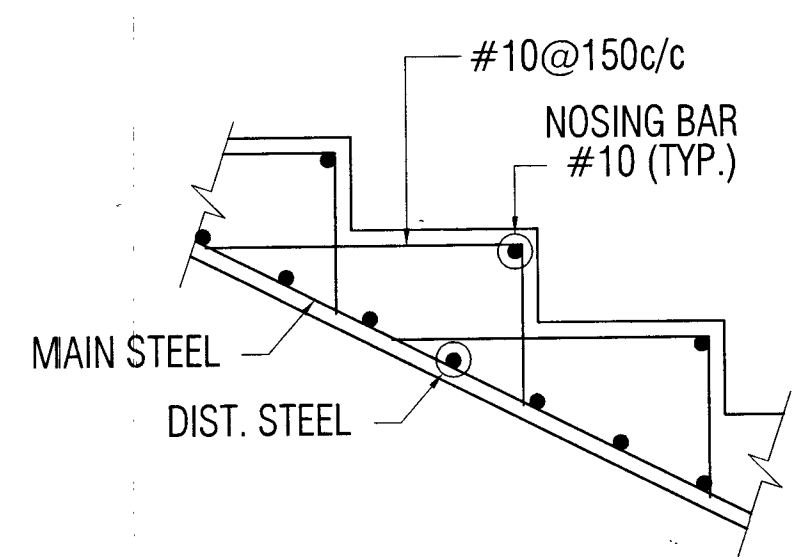
SECTION C-C
FLIGHT NO. 3,6,9,12 & 15



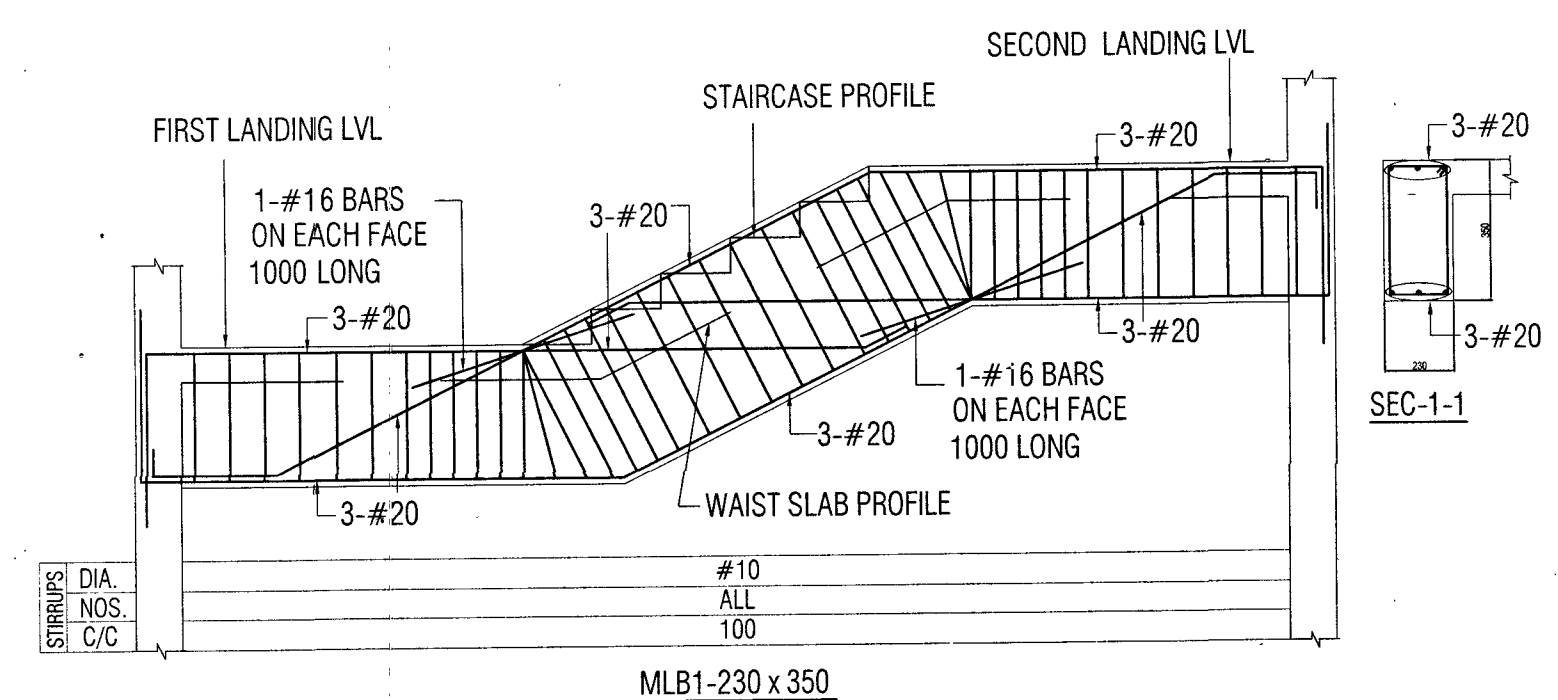
SECTION B-B
FLIGHT NO. 2,5,8,11 & 14



SECTION A-A
FLIGHT NO. 1,4,7,10 & 13



TYP. NOSING REINF. DETAIL



- NOTES:**
- CONTRACTOR TO CHECK AND VERIFY ALL DIMENSIONS BEFORE EXECUTION OF THE WORK
 - ALL DIMENSIONS ARE GIVEN IN MILLIMETERS UNLESS OTHERWISE SPECIFIED
 - FIGURED DIMENSIONS SHALL ONLY BE FOLLOWED. EXECUTIVE AUTHORITY SHALL CHECK AND VERIFY ALL THE DRGS BEFORE TAKING EXECUTION IN HAND.
 - COLS SHOWN AS TO STOP AT RESPECTIVE SLAB LEVEL.
 - FOR GENERAL STRUCTURAL NOTES & STANDARD TYPICAL DETAILS, REFER SHEET NOS. 1/11 TO 3/11 OF DRAWING NO.
 - THE FOUNDATION IS DESIGNED FOR ASSUMED NET SBC OF 14.00 T/SQM AT 2.50 M DEPTH FROM NGL FOR BUILDING. GE TO CHECK THE ACTUAL SBC BEFORE EXECUTION. IN CASE OF ANY VARIATION THE MATTER SHALL BE REFERRED TO THIS OFFICE FOR REDESIGN. THE FOUNDATION SHALL NOT REST ON TREACHEROUS, ORGANIC OR FILLED UP SOIL.

SL NO	DATE	DESCRIPTION	INITIAL
REVISION			

JOB NO. W - 2138
PROVN OF MD ACCN FOR OFFRS, JCOs & ORs AT FEROPUR

16 MAJOR (G+4)

LAYOUT, SCHEDULE OF WATER TANK BEAMS & SLABS, DETAILS OF STAIRCASE AND MISCELLANEOUS DETAILS

DATE	10 OCT 2025	CHIEF ENGINEER JALANDHAR ZONE	SHEET NO.
DRAWN	NB SUB SANDEEP SHARMA		11
CHKD			11
SCALE	DRG NO CEJZ/SD-1936/2025		

THIS DRG IS BASED ON DRG NO CEJZ/SD-1936/2025 SHEET NO 11/11

[Signature]
 DIRECTOR (DESIGN)
 FOR CHIEF ENGINEER