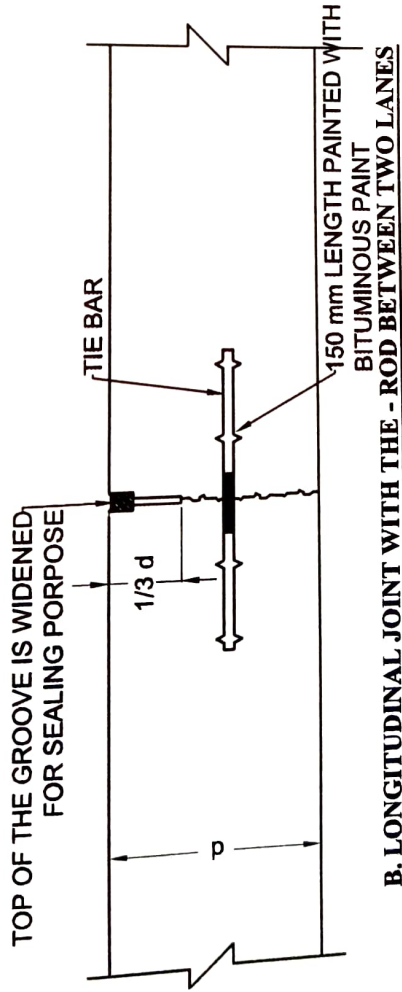
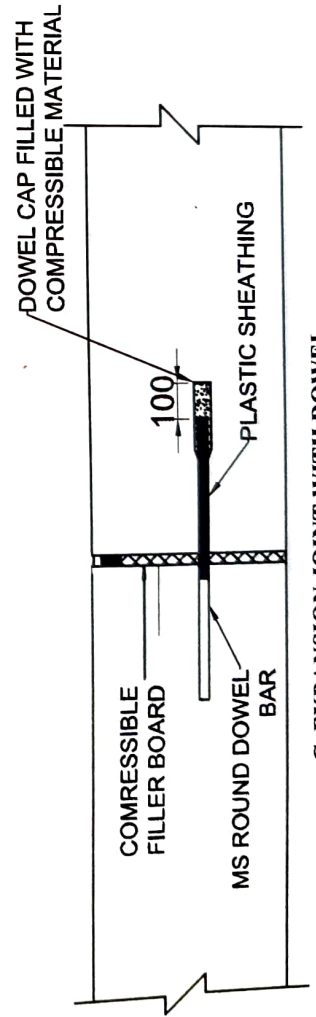


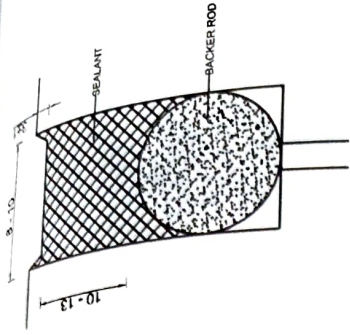
A. CONTRACTION JOINT WITH DOWEL BAR



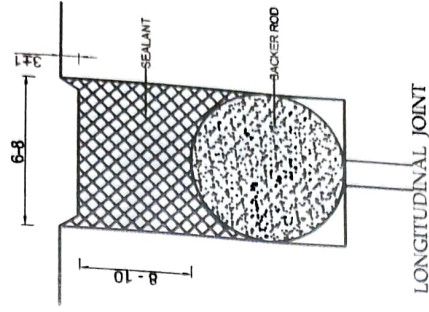
B. LONGITUDINAL JOINT WITH THE - ROD BETWEEN TWO LANES



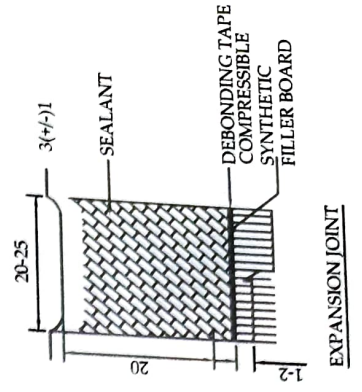
C. EXPANSION JOINT WITH DOWEL



CONTRACTION JOINT



LONGITUDINAL JOINT



EXPANSION JOINT