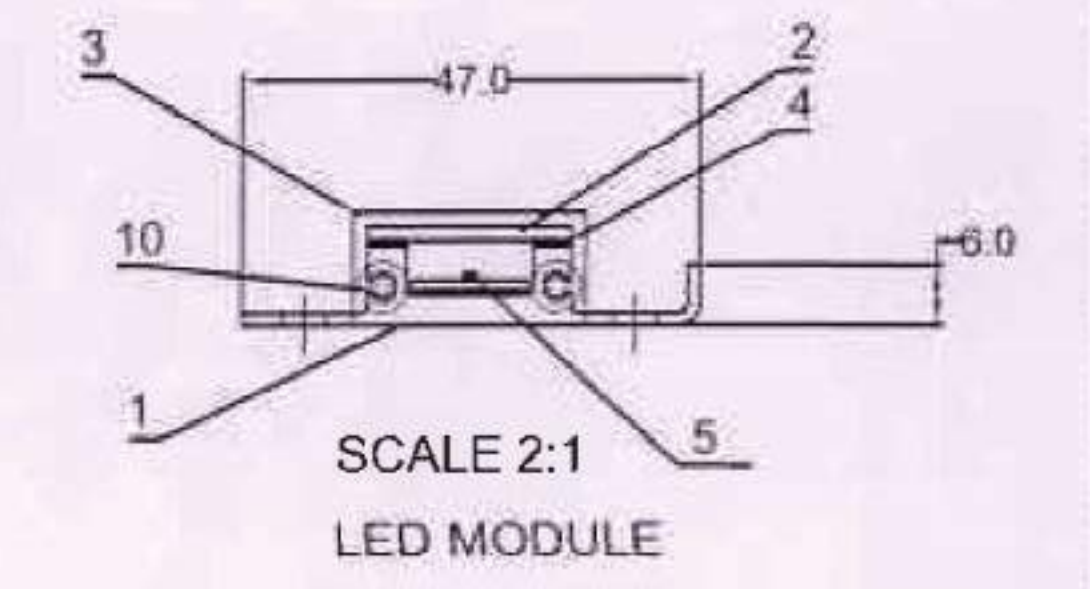
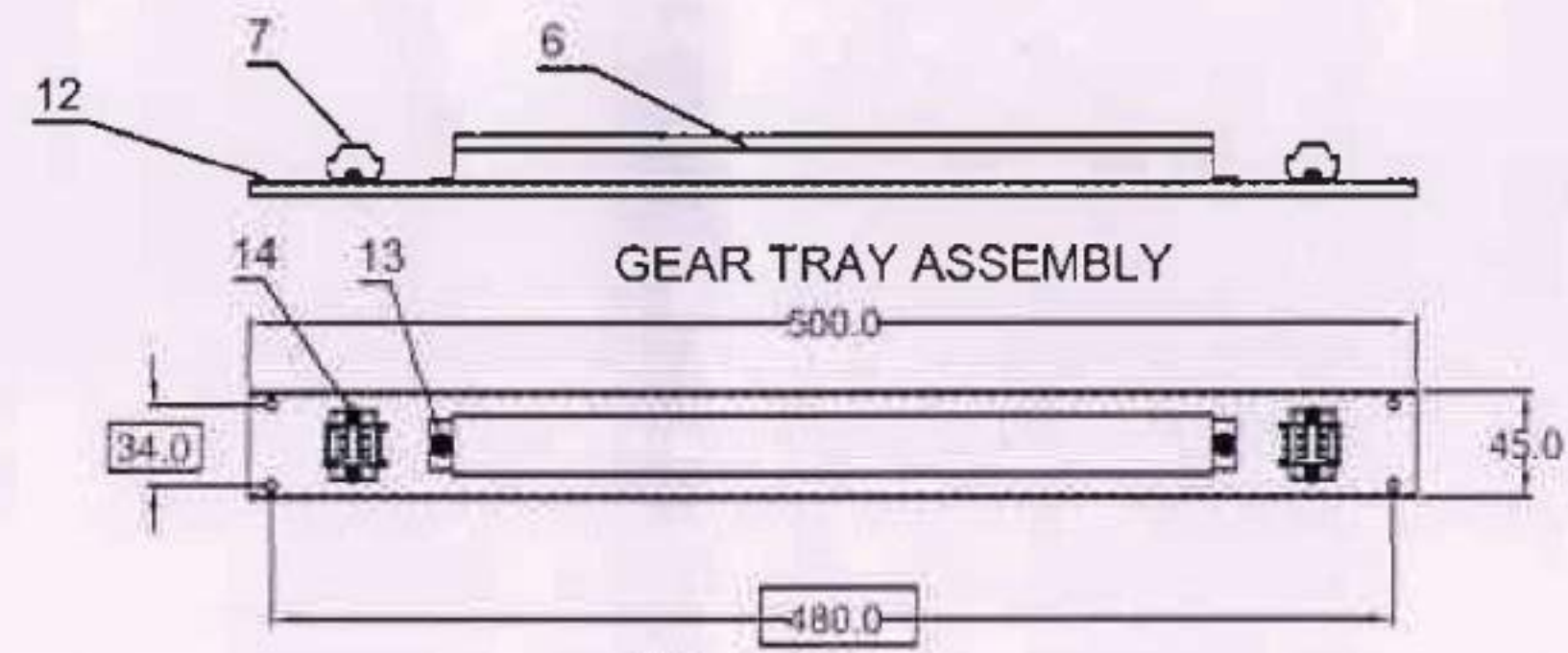
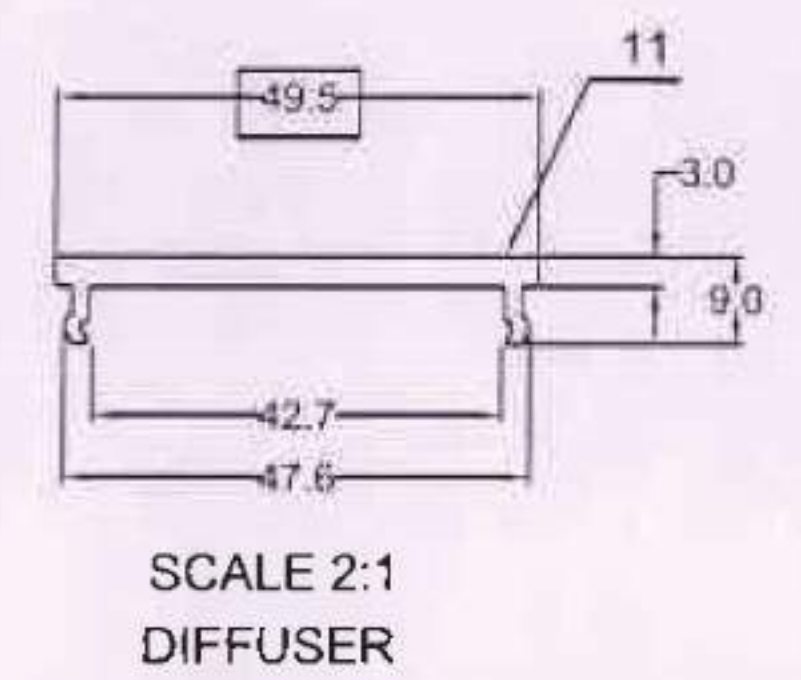
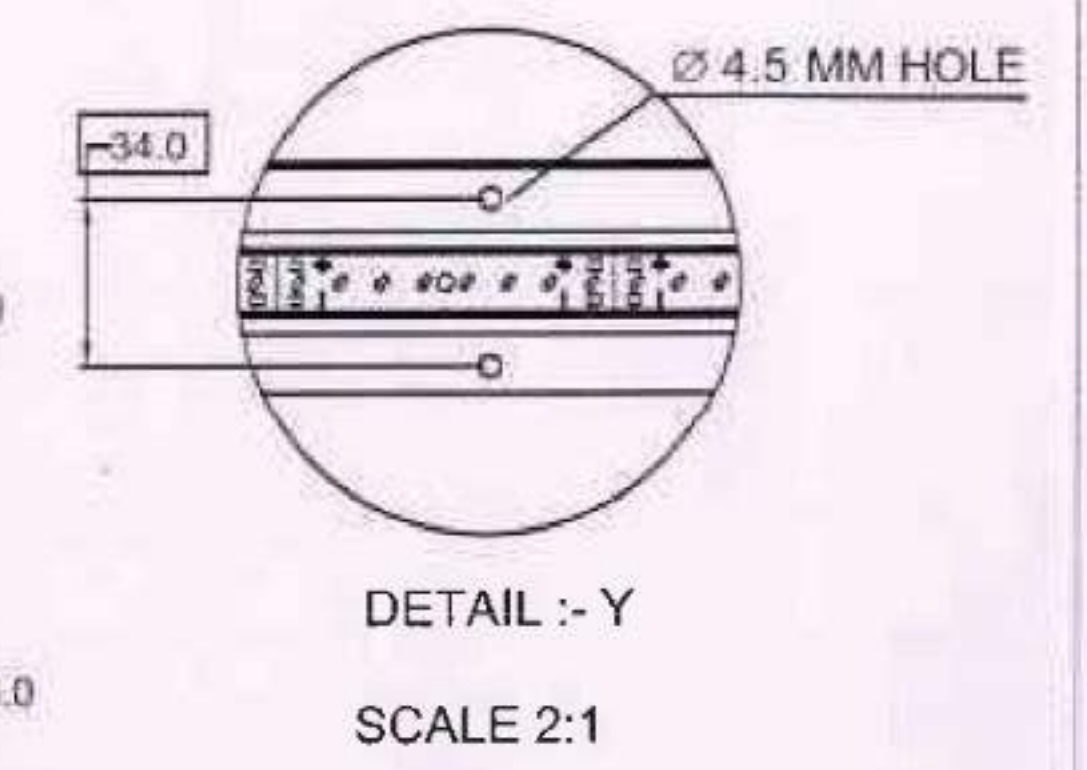
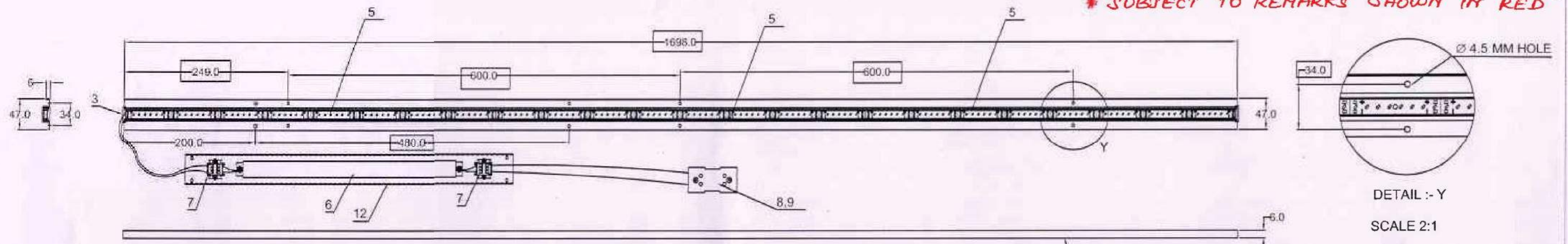


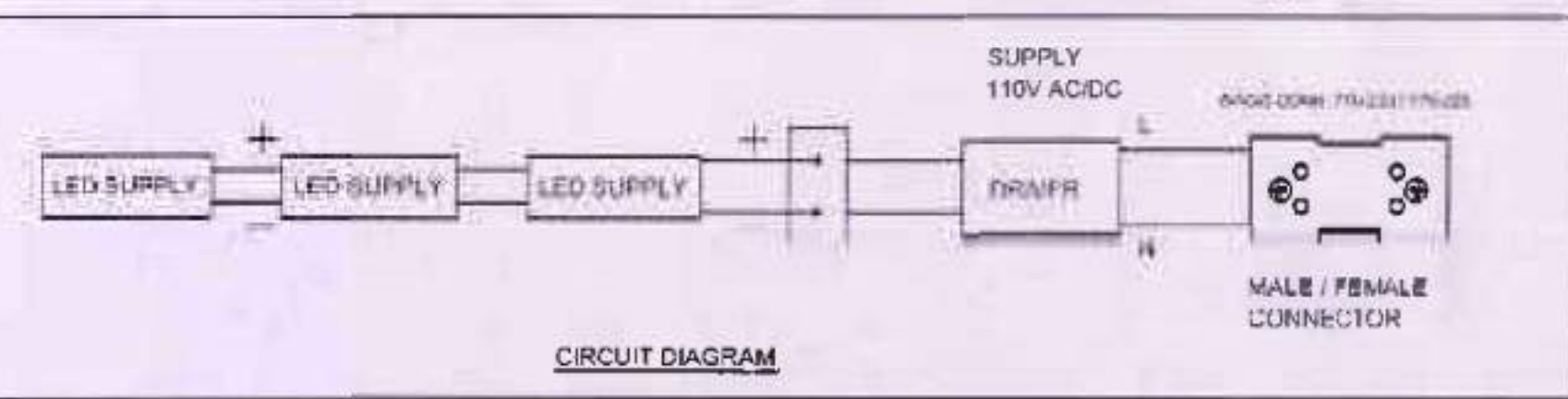
* SUBJECT TO REMARKS SHOWN IN "RED"



सत्यापित / VERIFIED
 PROVISIONALLY अनुमोदित / APPROVED
 दिनांक / Date 20/07/21
 उप निविद / For CEE / Design
 अनु निविद / For CEE
 INTEGRAL COACH FACTORY

- NOTE:
1. THE POLYCARBONATE SHEET CONFORMING TO FLAMMABILITY RATINGS OF UL94 V-0 GRADE. ACCORDANCE AND COMPLIANCE WITH BOTH RDSO SPECIFICATION NUMBER RDSO/PE/SPEC/TL/0091-2016 (Rev.01) CLAUSE NUMBER 5. B & RDSO SPECIFICATION NUMBER RDSO/PE/SPEC/D/EMU/0196-2019 (Rev.0) CLAUSE NUMBER 4.30.3.
 2. ANODISED NAME PLATE CONTAINING SCHEMATIC DIAGRAM AND MANUFACTURER'S NAME, MONTH & YEAR OF MANUFACTURE.
 3. LIGHT FITTING IS POWDER COATED WITH MINIMUM THICKNESS OF 60 MICRONS TO COLOR HIGH GLOSS FINISH 'IFB WHITE' FOR HOUSING ASSY.
 4. THIS FITTING IS USED IN PRESTIGIOUS TRAINS ON INDIAN RAILWAYS, HENCE WORKMANSHIP IS OF PARAMOUNT IMPORTANCE..
 5. ALL CABLES SHALL BE 1.0sq. MM. PTFE / TEFLON / E - BEAM COMPLIANCE TO EN 45545 HL-2. CABLE SHALL BE PROCURED FROM RDSO APPROVED SOURCES ONLY.
 6. LED DRIVER HOUSING SHALL BE MADE FROM 1.0 MM THICK ALUMINUM SHEET.

CL. NO: 4.30 OF RDSO/PE/SPEC/EMU/0196-2019 (REV.0) SHALL BE COMPLIED.

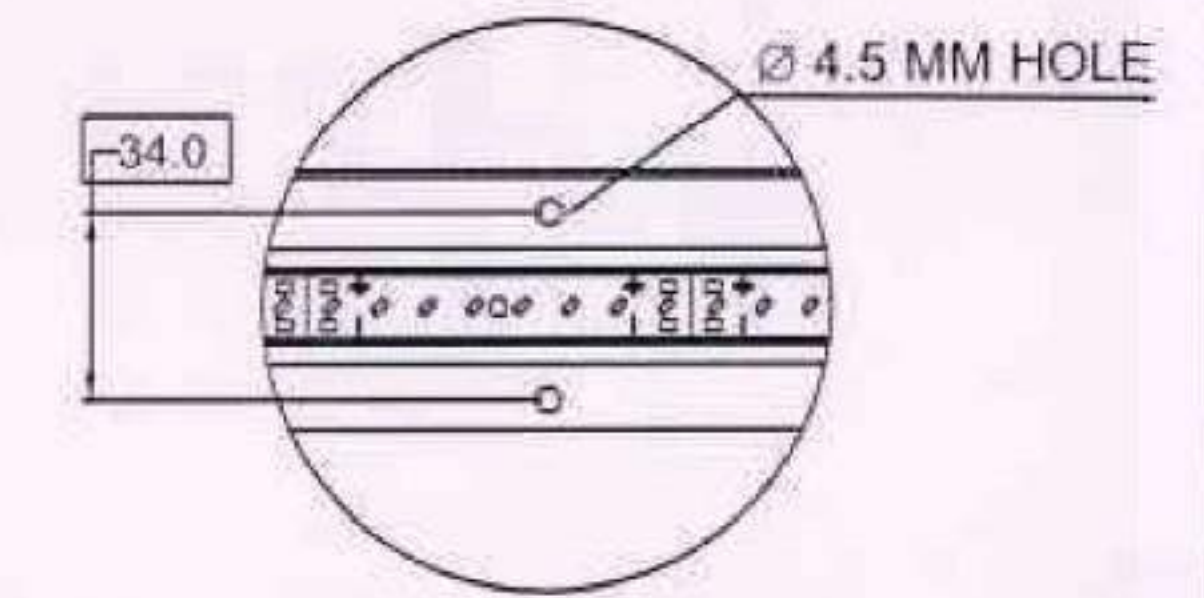
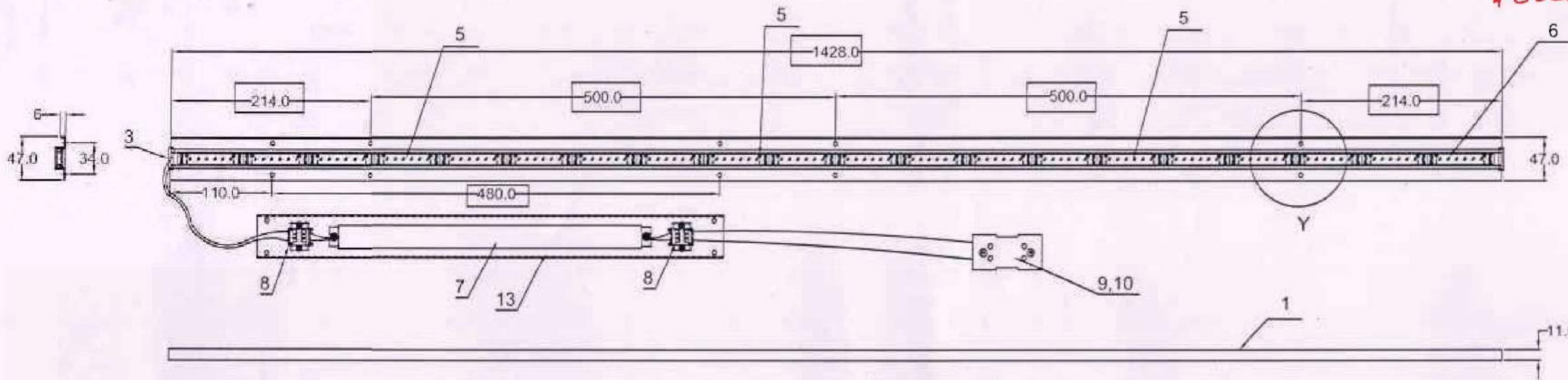


SR.NO.	DESCRIPTION & DIMENSIONS	QTY	REF.DRGS	MAT & SPEC.	WEIGHT / UNIT	REMARKS
14	SCREW (WASHER BASED PAN-HEAD) M3 X 6MM	4		S.S.		WAGO-CONNECTOR FIXING
13	SCREW (WASHER BASED PAN-PH-HEAD) M4 X 6MM	2		S.S.		DRIVER FIXING
12	GEAR TRAY FOR DRIVER	1		CRCA 1.6 MM		
11	DIFFUSER EXTRUSION	1		POLYCARBONATE UL94 V-0		DRW - 1710 UL94 V-0
10	SCREW (CHEESE HEAD) M3 X 6MM	4		S.S.		END CAP FIXING
9	WAGO FEMALE CONNECTOR	1		WAGO		WAGO PART NO. 775-223
8	WAGO MALE CONNECTOR	1		WAGO		WAGO PART NO. 775-233
7	WAGO CONNECTOR (2.5 30 MM)	2		WAGO		WAGO PART NO. 261
6	LED DRIVER 30 W	1		110V AC/DC		RDSO/PE/SPEC/TL/0091-2016(Rev.1)
5	LED PCB 564 MM	3				
4	JM TAP	2				
3	END CAP	2		POLYCARBONATE 1.5 MM		UL94 V-0
2	PLAIN DIFFUSER	1		POLYCARBONATE 1.5 MM		UL94 V-0
1	ALUMINIUM EXTRUSION HOUSING	1		ALUMINIUM 1.0 MM		

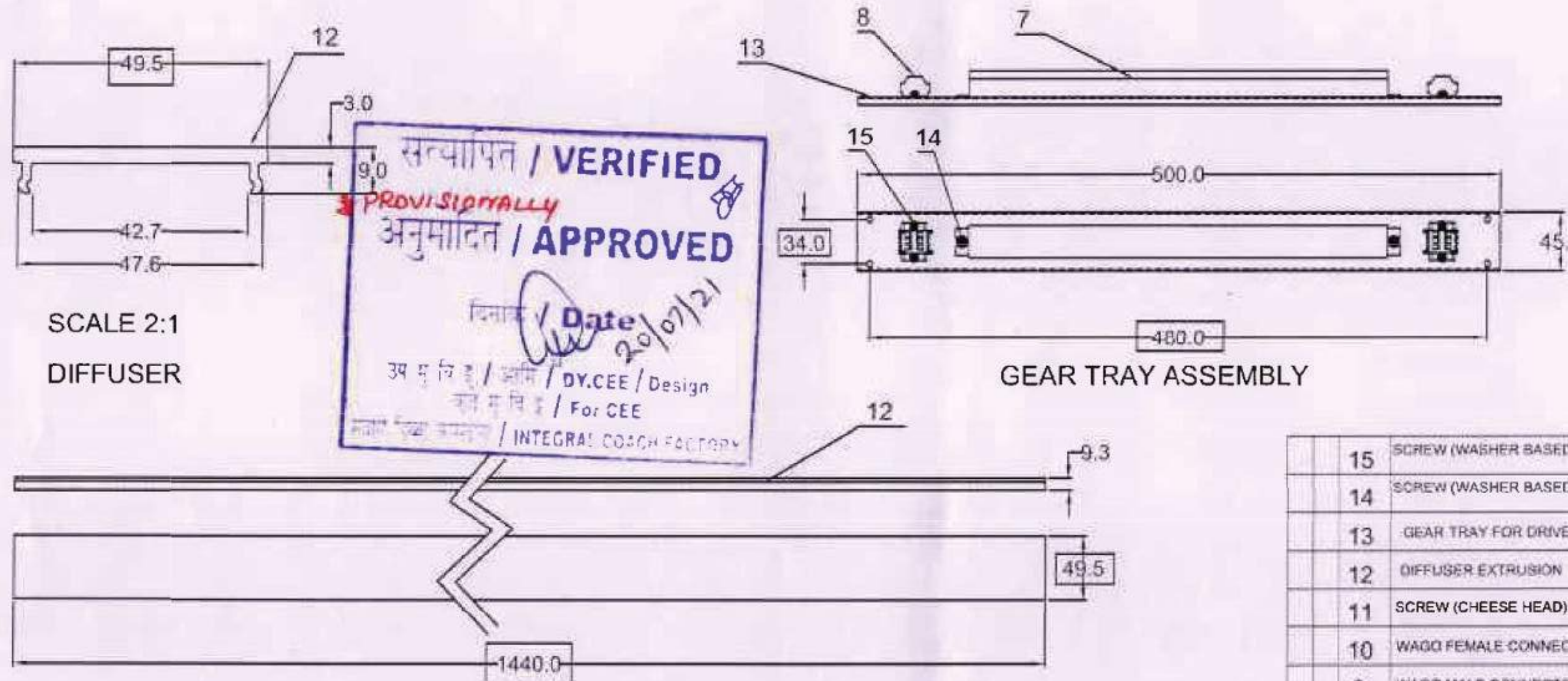
DATE: 12.06.21
SCALE: 1:1
DRAWN BY: OSDEN
CHECKED BY: SACHIN P
APPROVED BY: Y.V.P

FOR INDIAN RAILWAY	SHEET 1 OF 1	EVERGREEN ENGINEERING (P) LTD. VASOI
ENMA - SL18 - 30 - 0120070064		

★ SUBJECT TO REMARKS SHOWN IN "RED"

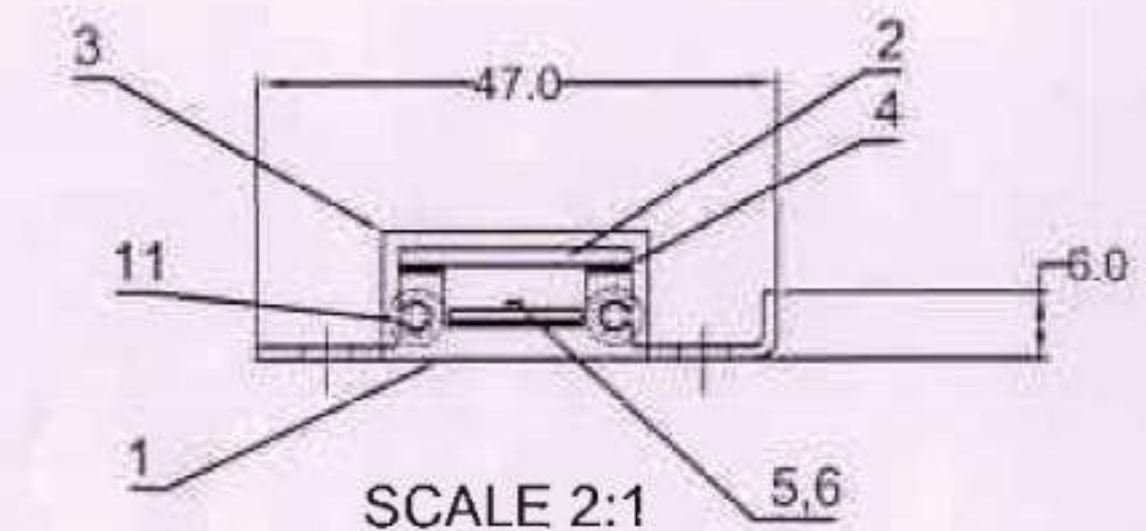


DETAIL :- Y
SCALE 2:1



SCALE 2:1
DIFFUSER

GEAR TRAY ASSEMBLY



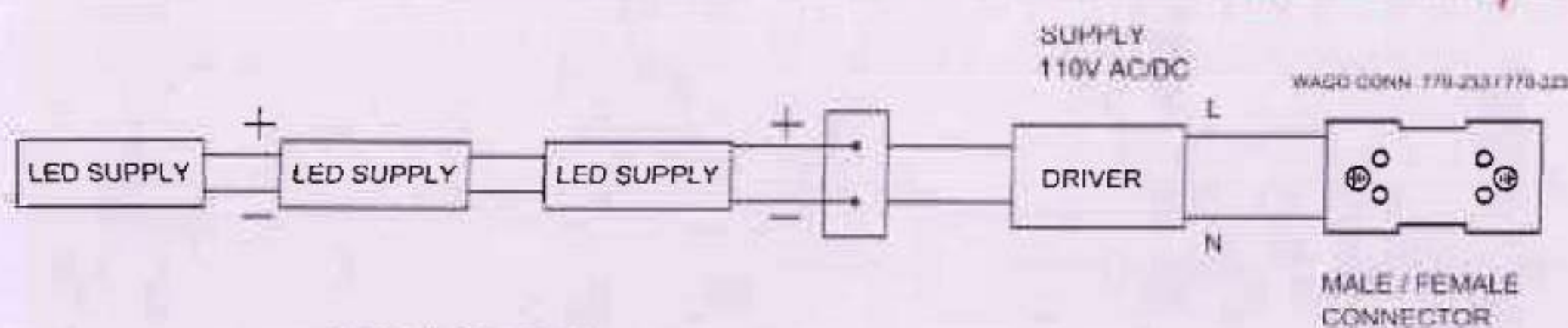
SCALE 2:1
LED MODULE

सत्यापित / VERIFIED
PROVISIONALLY
अनुमोदित / APPROVED
दिनांक / Date 20/07/21
अप म वि इ / अमि / DY.CEE / Design
अप म वि इ / For CEE
INTEGRAL COACH FACTORY

- NOTE:
1. THE POLYCARBONATE SHEET CONFORMING TO FLAMMABILITY RATINGS OF UL94 V-0 GRADE, ACCORDANCE AND COMPLIANCE WITH BOTH RDSO SPECIFICATION NUMBER RDSO/PE/SPEC/TL/0091-2016 (Rev.01) CLAUSE NUMBER 5. B & RDSO SPECIFICATION NUMBER RDSO/PE/SPEC/D/EMU/0196-2019 (Rev.0) CLAUSE NUMBER 4.30.3.
 2. ANODISED NAME PLATE CONTAINING SCHEMATIC DIAGRAM AND MANUFACTURER'S NAME, MONTH & YEAR OF MANUFACTURE.
 3. LIGHT FITTING IS POWDER COATED WITH MINIMUM THICKNESS OF 60 MICRONS TO COLOR HIGH GLOSS FINISH 'IFB WHITE' FOR HOUSING ASSY.
 4. THIS FITTING IS USED IN PRESTIGIOUS TRAINS ON INDIAN RAILWAYS, HENCE WORKMANSHIP IS OF PARAMOUNT IMPORTANCE..
 5. ALL CABLES SHALL BE 1.0sq. MM. PTFE / TEFLON / E - BEAM COMPLIANCE TO EN 45545 HL-2. CABLE SHALL BE PROCURED FROM RDSO APPROVED SOURCES ONLY.
 6. LED DRIVER HOUSING SHALL BE MADE FROM 1.0 MM THICK ALUMINIUM SHEET.

CL NO: 4.30 OF RDSO/PE/SPEC/EMU/0196-2019 (REV.0)

SHALL BE COMPLIED.



CIRCUIT DIAGRAM

SR.NO	DESCRIPTION & DIMENSIONS	QTY	RER.DRGS	MAT & SPEC.	WEIGHT / UNIT	REMARKS
15	SCREW (WASHER BASED PAN-PH-HEAD M3 X 8MM)	4		S.S.		WAGO CONNECTOR FIXING
14	SCREW (WASHER BASED PAN-PH-HEAD M4 X 6MM)	2		S.S.		DRIVER FIXING
13	GEAR TRAY FOR DRIVER:	1		CRCA 1.0 MM		
12	DIFFUSER EXTRUSION	1		POLYCARBONATE UL94 V-0		DRW - 1440 UL94 V-0
11	SCREW (CHEESE HEAD) M3 X 6MM	4		S.S.		END CAP FIXING
10	WAGO FEMALE CONNECTOR	1		WAGO		WAGO PART.NO. 770-223
9	WAGO MALE CONNECTOR	1		WAGO		WAGO PART NO. 770-233
8	WAGO CONNECTOR (2.5 SQ.MM)	2		WAGO		WAGO PART.NO. 251
7	LED DRIVER 24 W	1		110V AC/DC		RDSO/PE/SPEC/TL/0091-2016(Rev.1)
6	LED PCB 282 MM	1				
5	LED PCB 564 MM	2				
4	3M TAP	2				
3	END CAP	2		POLYCARBONATE 1.5 MM		UL94 V-0
2	PLAIN DIFFUSER	1		POLYCARBONATE 1.5 MM		UL94 V-0
1	ALUMINIUM EXTRUSION HOUSING	1		ALUMINIUM 1.0 MM		

IV	III	II	I
LED LIGHT FITTING, SALOON LIGHT (DIRECT) - 24W - 1440 mm			
DATE: 12.06.21			
SCALE 1:1		DRAWN BY: OSDEN	CHECKED BY: SACHIN.P.
APPROVED BY: Y.V.P.			

FOR INDIAN RAILWAY

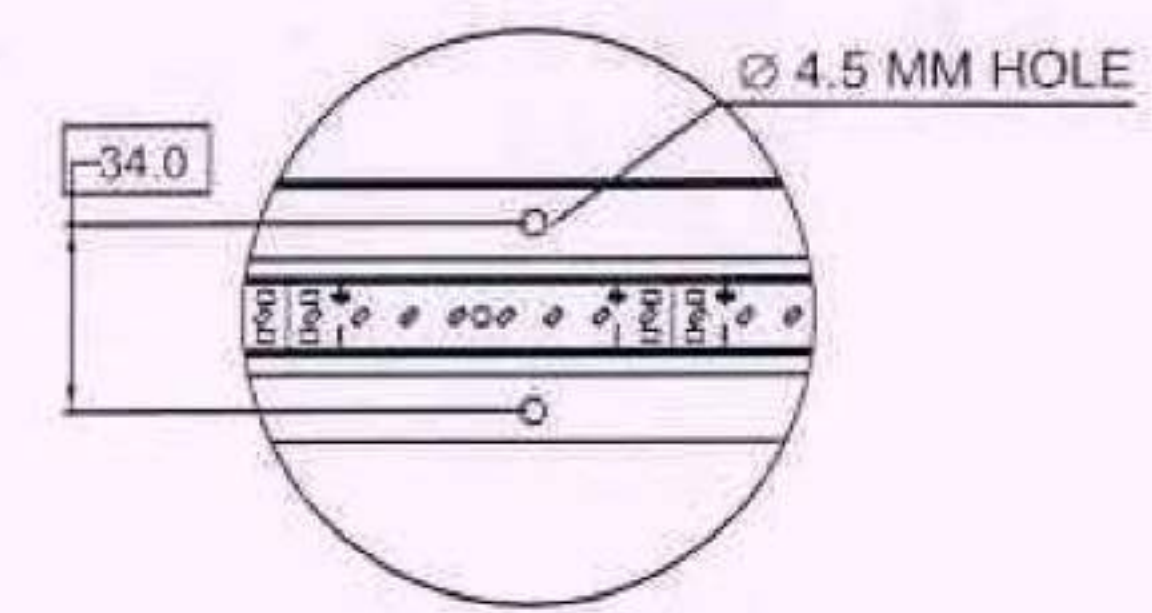
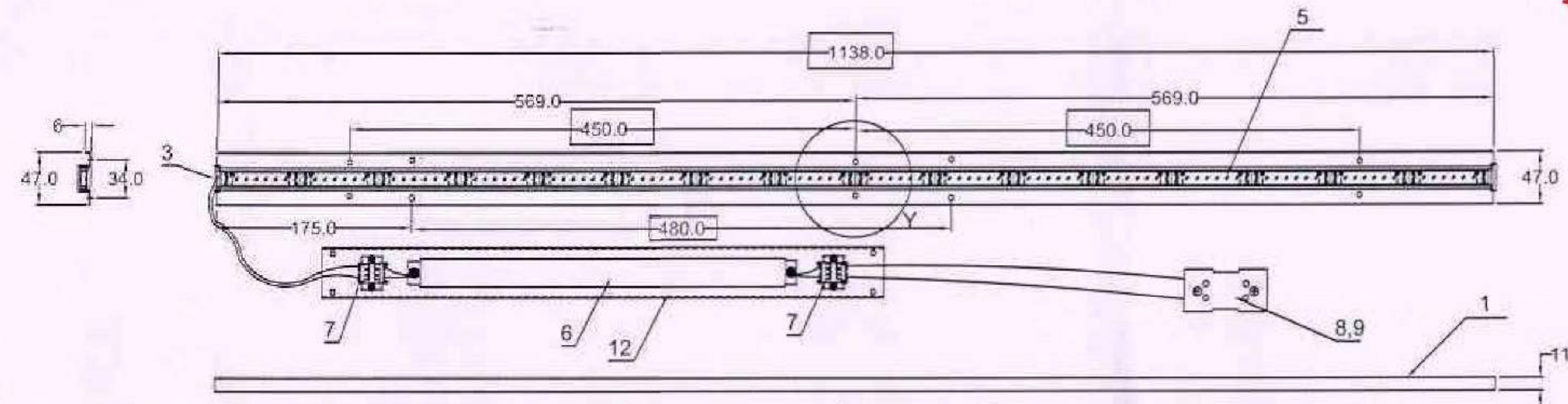


SHEET 1 OF 1

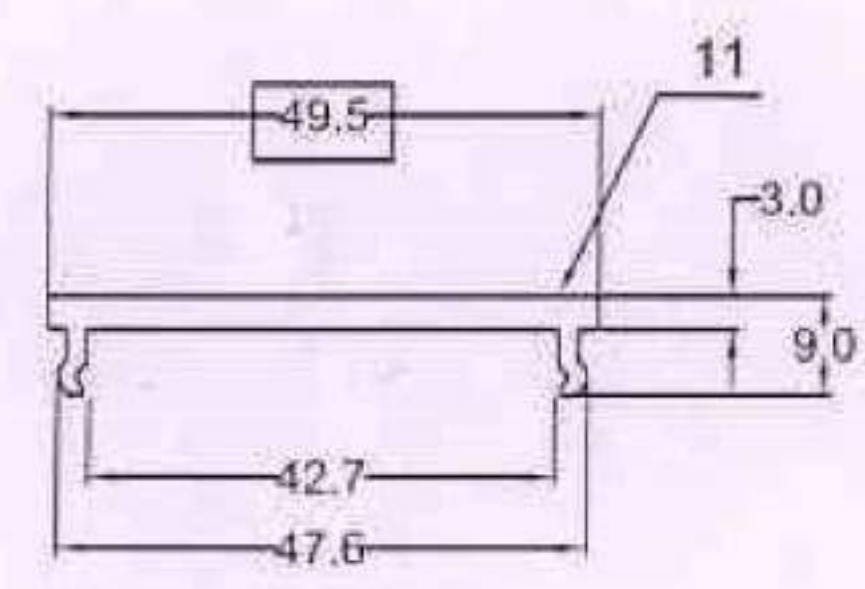
EVERGREEN ENGINEERING CO PVT. LTD. VASAI

ENMA - SL18 - 24 - 0120070065

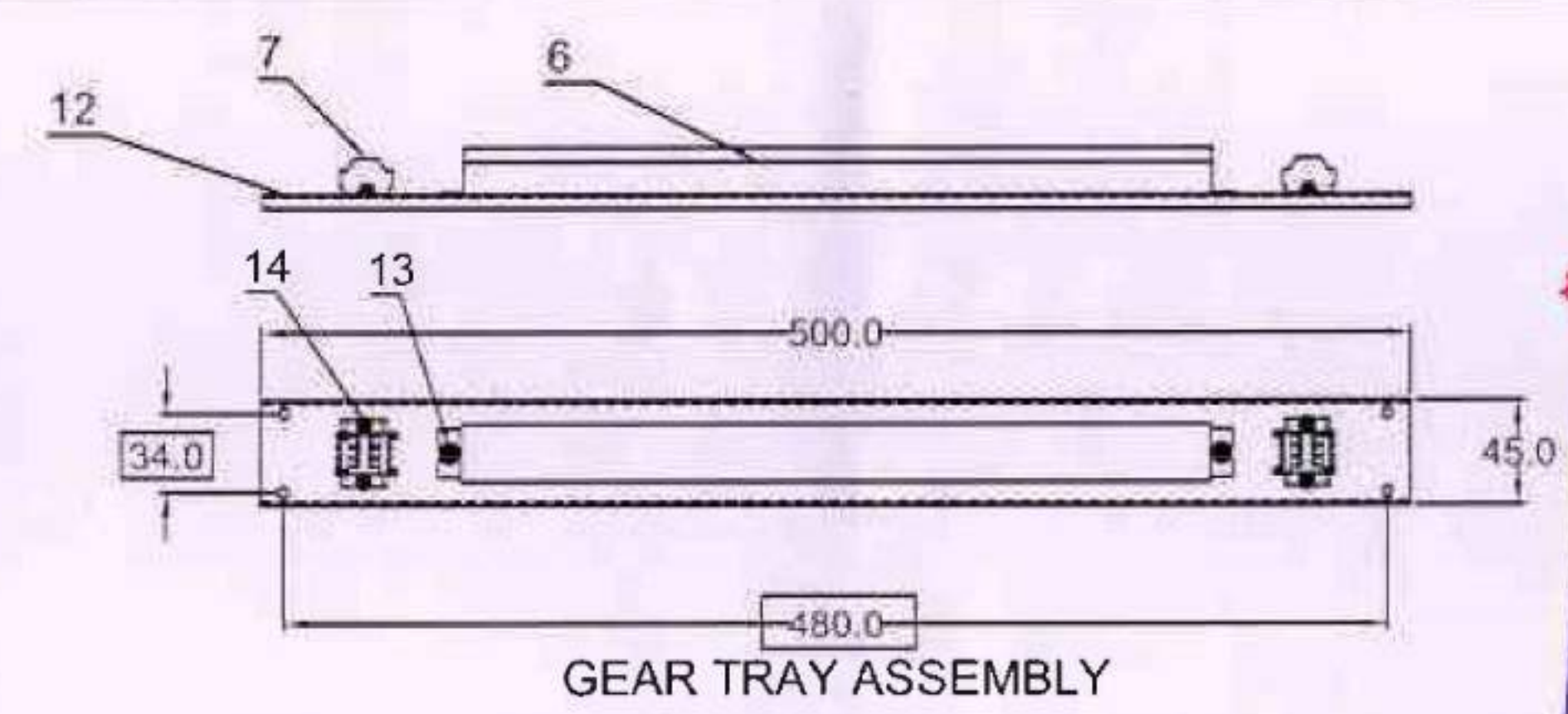
* SUBJECT TO REMARKS SHOWN IN RED *



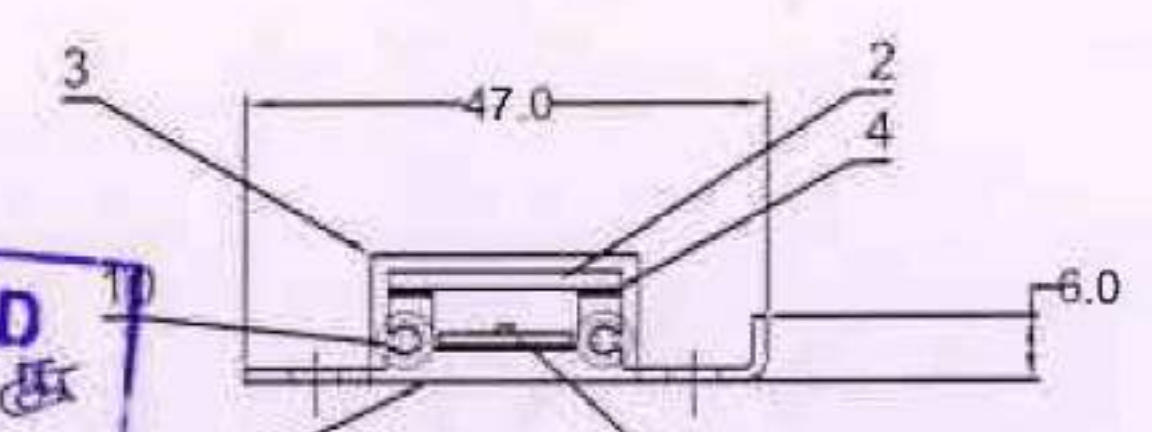
DETAIL :- Y
SCALE 2:1



SCALE 2:1
DIFFUSER



GEAR TRAY ASSEMBLY

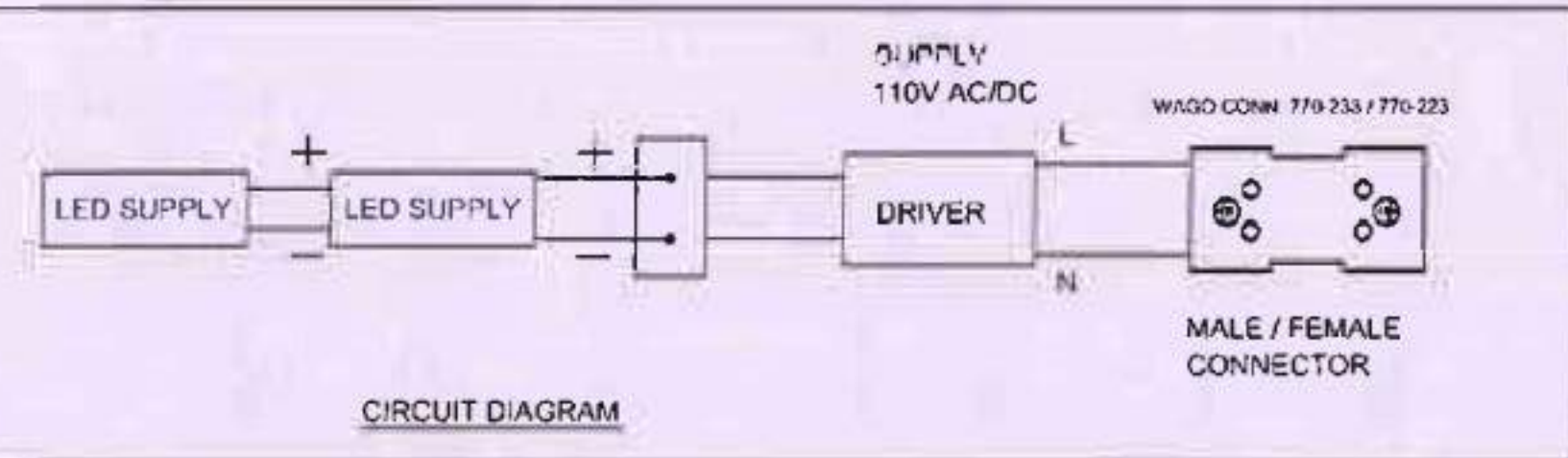


SCALE 2:1
LED MODULE

सत्यापित / VERIFIED
* PROVISIONALLY अनुमोदित / APPROVED
Date: 20/06/2019
BY: CEE / Design
FOR: CEE
INTEGRAL COMPONENTS

SR.NO	DESCRIPTION & DIMENSIONS	QTY	RER.DRGS	MAT & SPEC.	WEIGHT / UNIT	REMARKS
14	SCREW (WASHER BASED PAN-PH-HEAD M3 X 8MM)	4		S.S.		WAGO CONNECTOR FIXING
13	SCREW (WASHER BASED PAN-PH-HEAD M4 X 6MM)	2		S.S.		DRIVER FIXING
12	GEAR TRAY FOR DRIVER	1		CRCA 1.0 MM		
11	DIFFUSER EXTRUSION	1		POLYCARBONATE UL94 V-0		DRW - 1150 UL94 V-0
10	SCREW (CHEESE HEAD) M3 X 6MM	4		S.S.		END CAP FIXING
9	WAGO FEMALE CONNECTOR	1		WAGO		WAGO PART NO. 770-223
8	WAGO MALE CONNECTOR	1		WAGO		WAGO PART NO. 770-233
7	WAGO CONNECTOR (2.5 SQ.MM)	1		WAGO		WAGO PART NO. 251
6	LED DRIVER 18 W	1		110V AC/DC		RDSO/PE/SPEC/TL/0091-2016/Rev.1
5	LED PCB 564 MM	2				
4	3M TAP	2				
3	END CAP	2		POLYCARBONATE 1.5 MM		UL94 V-0
2	PLAIN DIFFUSER	1		POLYCARBONATE 1.5 MM		UL94 V-0
1	ALUMINIUM EXTRUSION HOUSING	1		ALUMINIUM 1.0 MM		

- NOTE:
1. THE POLYCARBONATE SHEET CONFORMING TO FLAMMABILITY RATINGS OF UL94 V-0 GRADE. ACCORDANCE AND COMPLIANCE WITH BOTH RDSO SPECIFICATION NUMBER RDSO/PE/SPEC/TL/0091-2016 (Rev.01) CLAUSE NUMBER 5. B & RDSO SPECIFICATION NUMBER RDSO/PE/SPEC/D/EMU/0196-2019 (Rev.0) CLAUSE NUMBER 4.30.3.
 2. ANODISED NAME PLATE CONTAINING SCHEMATIC DIAGRAM AND MANUFACTURER'S NAME, MONTH & YEAR OF MANUFACTURE.
 3. LIGHT FITTING IS POWDER COATED WITH MINIMUM THICKNESS OF 60 MICRONS TO COLOR HIGH GLOSS FINISH 'IFB WHITE' FOR HOUSING ASSY.
 4. THIS FITTING IS USED IN PRESTIGIOUS TRAINS ON INDIAN RAILWAYS, HENCE WORKMANSHIP IS OF PARAMOUNT IMPORTANCE.
 5. ALL CABLES SHALL BE 1.0sq. MM. PTFE / TEFLON / E - BEAM COMPLIANCE TO EN 45545 HL-2. CABLE SHALL BE PROCURED FROM RDSO APPROVED SOURCES ONLY.
 6. LED DRIVER HOUSING SHALL BE MADE FROM 1.0 MM THICK ALUMINIUM SHEET.



CL.NO: 4/30 OF RDSO/PE/SPEC/EMU/0196-2019 (Rev.0) SHALL BE COMPLIED.

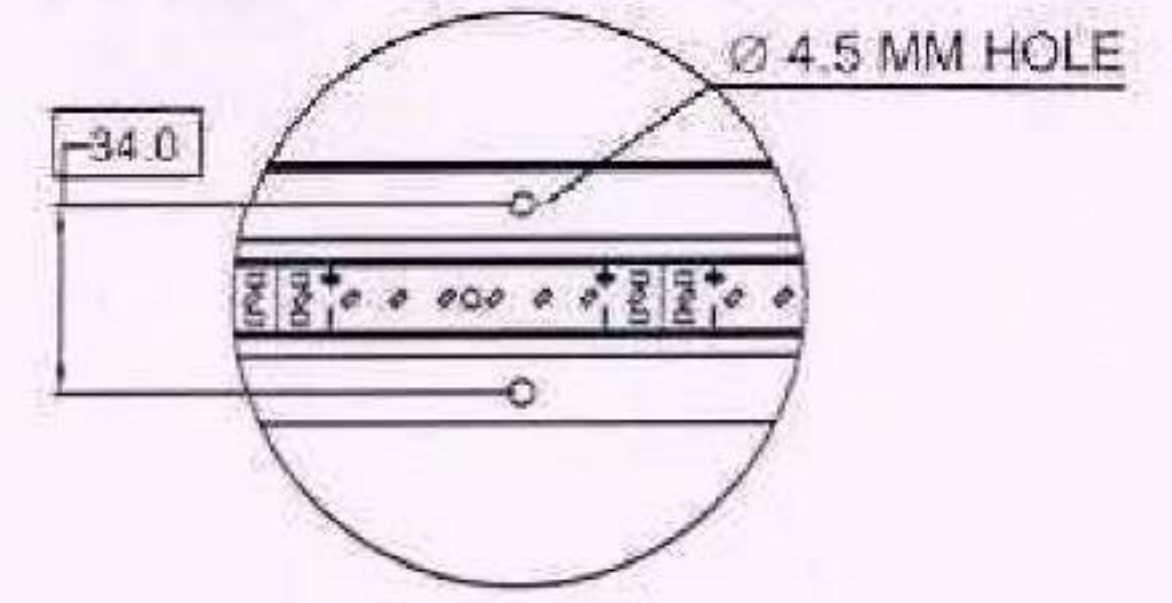
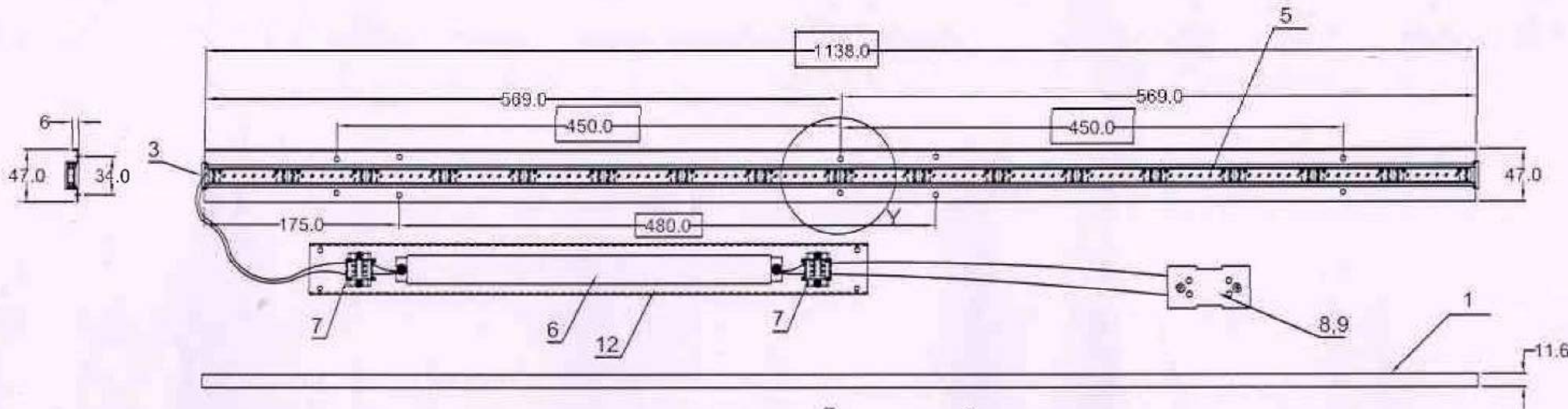
LED LIGHT FITTING, SALOON LIGHT (DIRECT) -18W -1150 mm

DATE: 12.06.21
SCALE 1:1
DRAWN BY: OSOEN
CHECKED BY: SACHIN P
APPROVED BY: Y.V.P

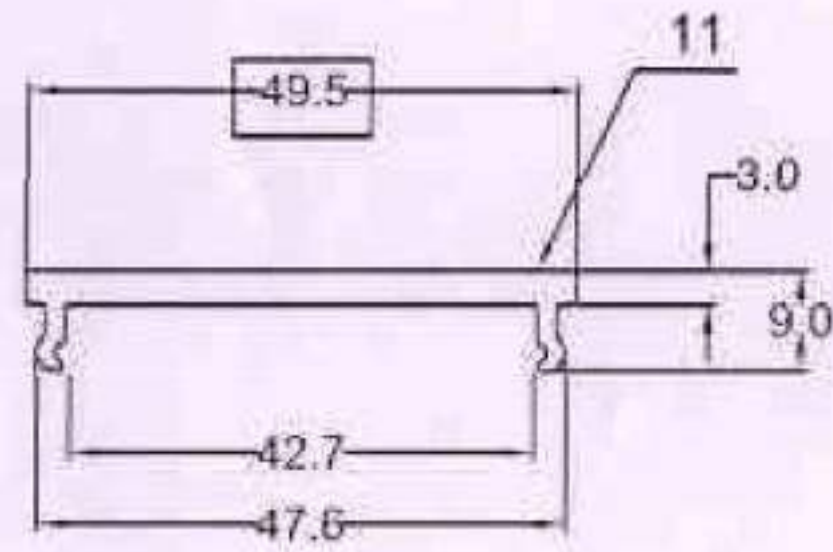
FOR INDIAN RAILWAY

SHEET 1 OF 1
EVERGREEN ENGINEERING CO PVT. LTD. VASAI

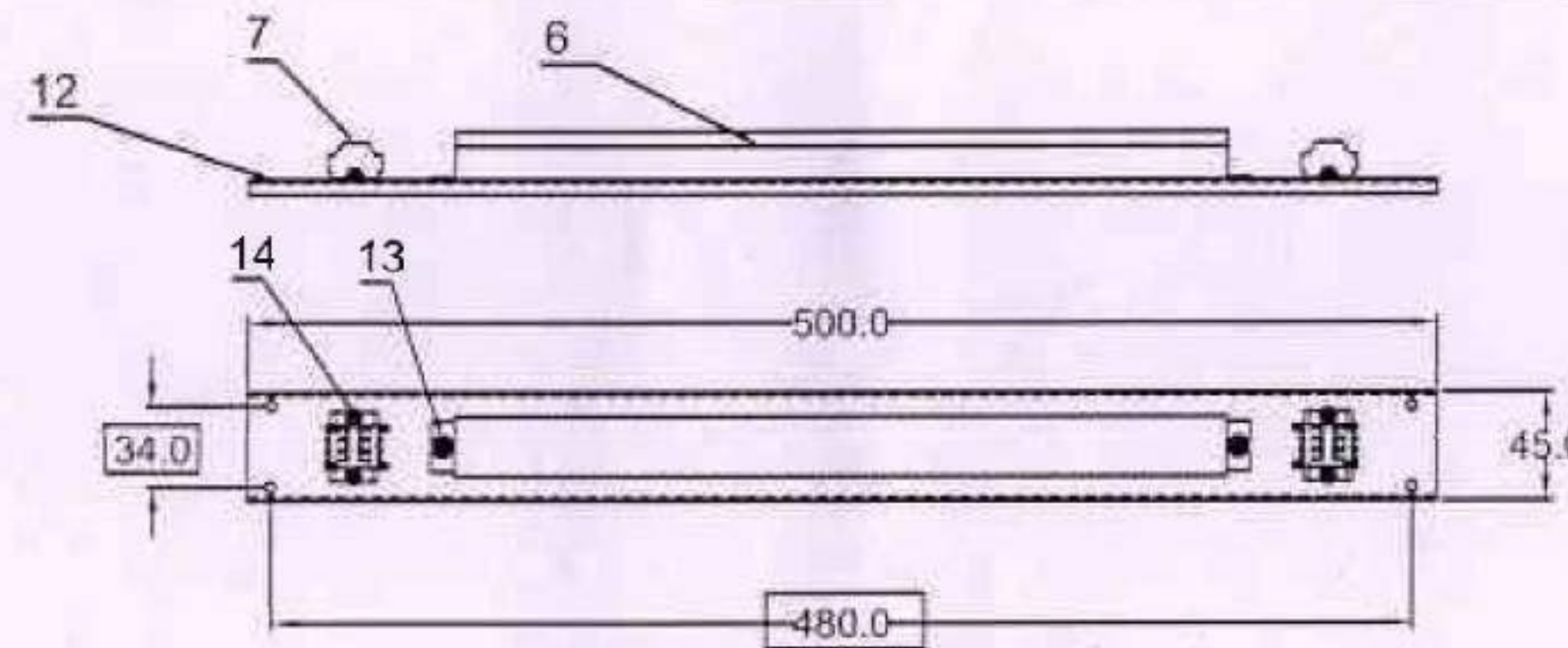
ENMA - SL18 - 18 - 0120070067



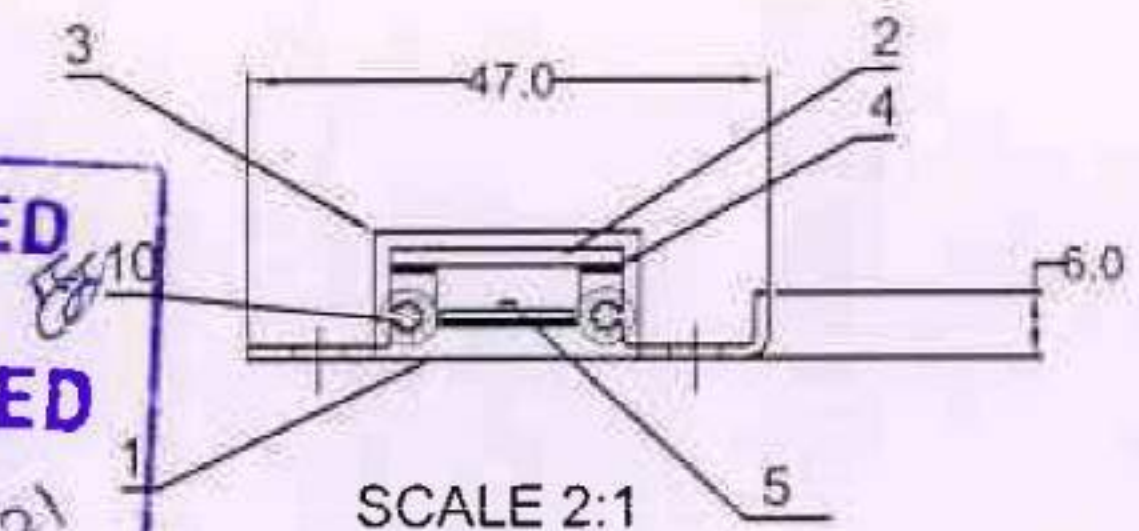
DETAIL :- Y
SCALE 2:1



SCALE 2:1
DIFFUSER



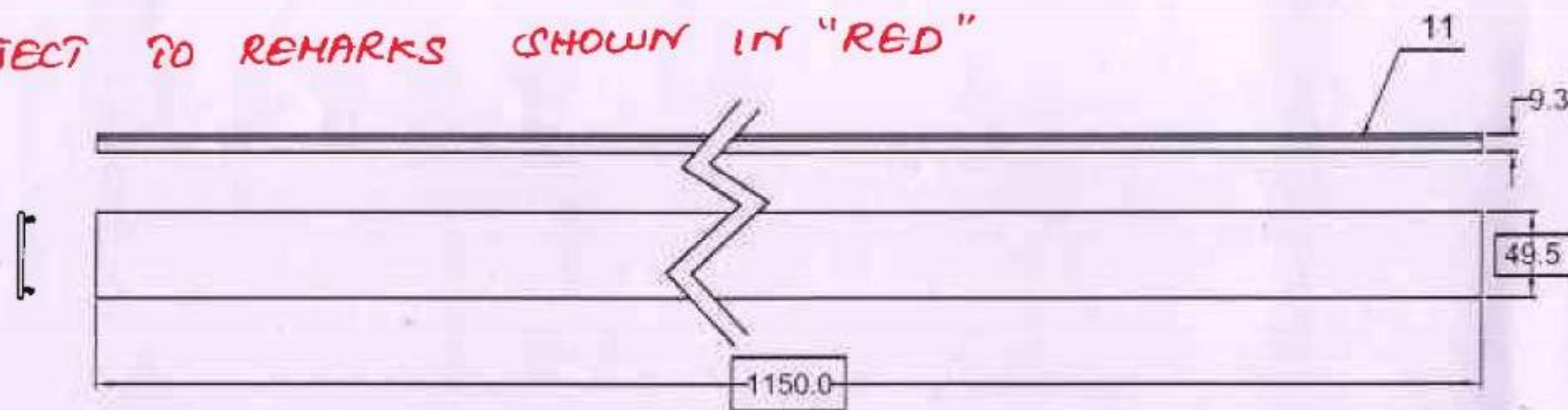
GEAR TRAY ASSEMBLY



SCALE 2:1
LED MODULE

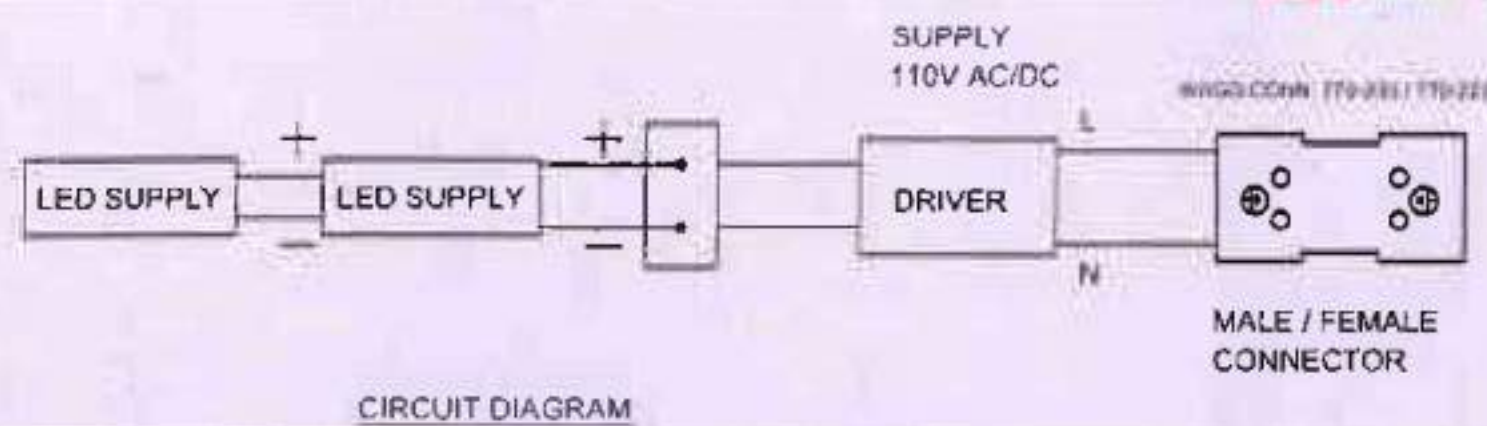
सत्यापित / VERIFIED
PROVISIONALLY
अनुमोदित / APPROVED
दिनांक / Date: 20/07/21
अप म वि ड / अप म / DY.CEE / Design
कने म वि ड / For CEE
INTEGRAL COACH FACTORY

* SUBJECT TO REMARKS SHOWN IN "RED"



- NOTE:
1. THE POLYCARBONATE SHEET CONFORMING TO FLAMMABILITY RATINGS OF UL94 V-0 GRADE. ACCORDANCE AND COMPLIANCE WITH BOTH RDSO SPECIFICATION NUMBER RDSO/PE/SPEC/TL/0091-2016 (Rev.01) CLAUSE NUMBER 5. B & RDSO SPECIFICATION NUMBER RDSO/PE/SPEC/D/EMU/0196-2019 (Rev.0) CLAUSE NUMBER 4.30.3.
 2. ANODISED NAME PLATE CONTAINING SCHEMATIC DIAGRAM AND MANUFACTURER'S NAME, MONTH & YEAR OF MANUFACTURE.
 3. LIGHT FITTING IS POWDER COATED WITH MINIMUM THICKNESS OF 60 MICRONS TO COLOR HIGH GLOSS FINISH 'IFB WHITE' FOR HOUSING ASSY.
 4. THIS FITTING IS USED IN PRESTIGIOUS TRAINS ON INDIAN RAILWAYS, HENCE WORKMANSHIP IS OF PARAMOUNT IMPORTANCE..
 5. ALL CABLES SHALL BE 1.0sq. MM. PTFE / TEFLON / E - BEAM COMPLIANCE TO EN 45545 HL-2. CABLE SHALL BE PROCURED FROM RDSO APPROVED SOURCES ONLY.
 6. LED DRIVER HOUSING SHALL BE MADE FROM 1.0 MM THICK ALUMINIUM SHEET.

CL. NO: 4.30 OF RDSO/PE/SPEC/EMU/0196-2019 (REV.0)
SHALL BE COMPLIED.



SR. NO.	DESCRIPTION & DIMENSIONS	QTY	REP. DRGS	MAT & SPEC.	WEIGHT / UNIT	REMARKS
14	SCREW (WASHER BASED PAN-PH-HEAD M3 X 8MM)	4		S.S.		WAGO CONNECTOR FIXING
13	SCREW (WASHER BASED PAN-PH-HEAD M4 X 6MM)	2		S.S.		DRIVER FIXING
12	GEAR TRAY FOR DRIVER	1		CRCA 1.0 MM		
11	DIFFUSER EXTRUSION	1		POLYCARBONATE UL94 V-0		DRW - 1150 UL94 V-0
10	SCREW (CHEESE HEAD) M3 X 6MM	4		S.S.		END CAP FIXING
9	WAGO FEMALE CONNECTOR	1		WAGO		WAGO PART NO. 770-223
8	WAGO MALE CONNECTOR	1		WAGO		WAGO PART NO. 770-233
7	WAGO CONNECTOR (2.5 SQ.MM)	1		WAGO		WAGO PART NO. 261
6	LED DRIVER 10 W	1		110V AC/DC		RDSO/PE/SPEC/TL/0091-2016 Rev 1.
5	LED PCB 564 MM	2				
4	3M TAP	2				
3	END CAP	2		POLYCARBONATE 1.5 MM		UL94 V-0
2	PLAIN DIFFUSER	1		POLYCARBONATE 1.5 MM		UL94 V-0
1	ALUMINIUM EXTRUSION HOUSING	1		ALUMINIUM 1.0 MM		

SR. NO.	DESCRIPTION & DIMENSIONS	QTY	REP. DRGS	MAT & SPEC.	WEIGHT / UNIT	REMARKS
IV						
III						
II						
I						

LED LIGHT FITTING, SALOON
LIGHT (INDIRECT) -10W -1150 mm

DATE: 11.06.21
SCALE 1:1
DRAWN BY: OGDEN
CHECKED BY: SACHIN.P.
APPROVED BY: Y.V.P.

FOR INDIAN RAILWAY



SHEET 1 OF 1
EVERGREEN ENGINEERING CO PVT. LTD.
VASAI

ENMA - SL18 - 10 - 0120070073